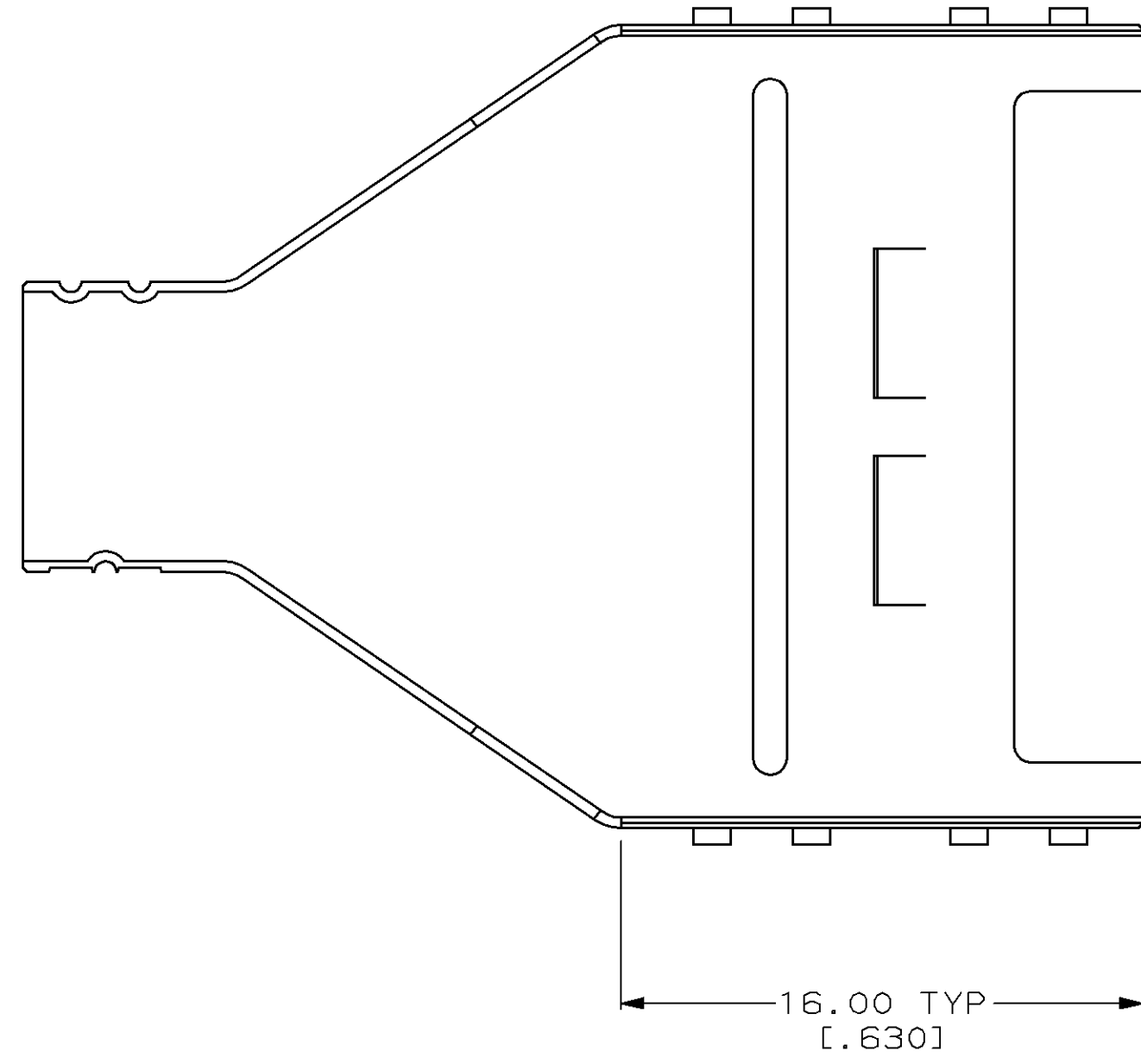
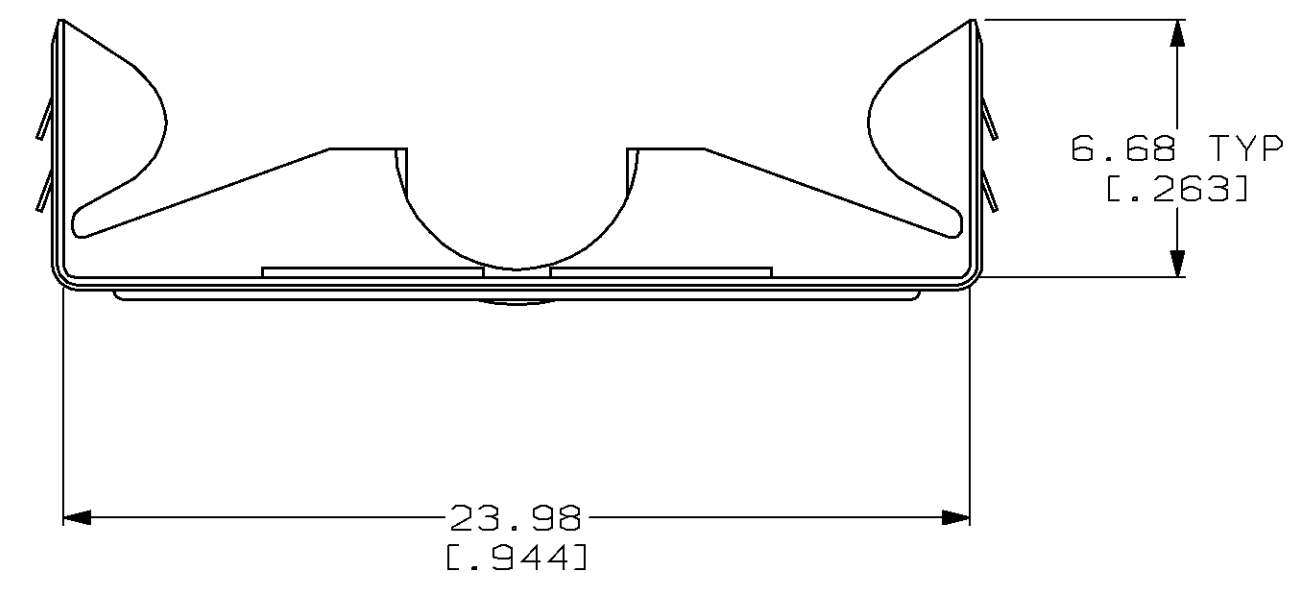
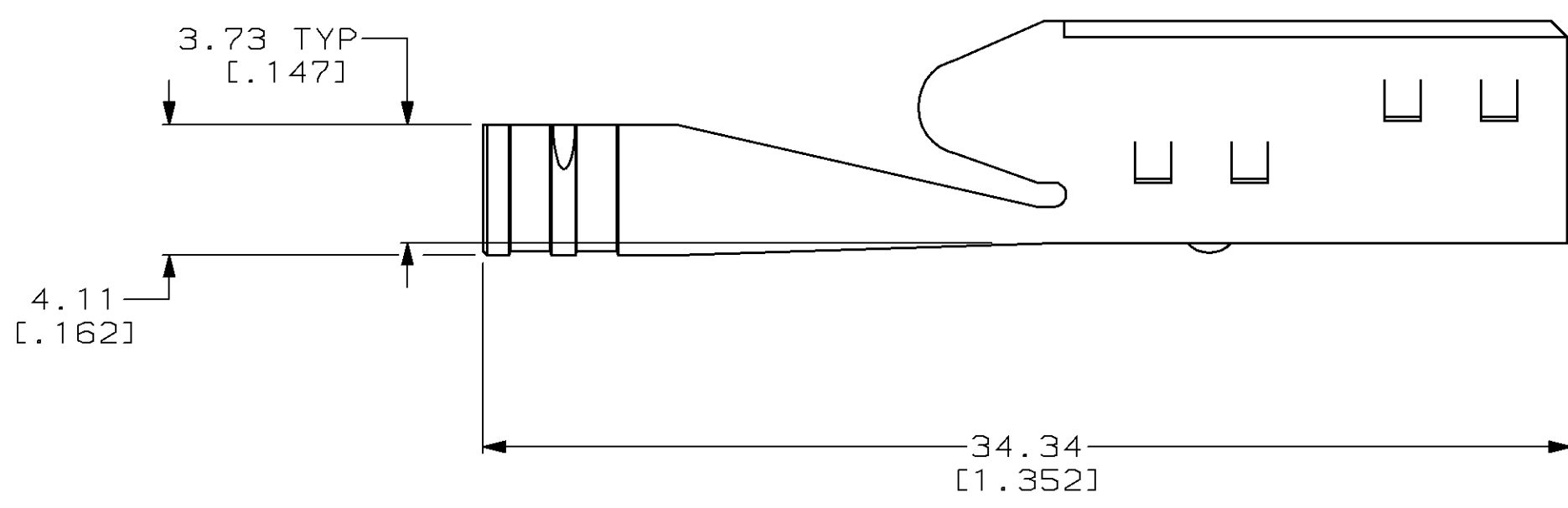


THIS DRAWING IS UNPUBLISHED. RELEASED FOR PUBLICATION
 © COPYRIGHT 19 BY AMP INCORPORATED. ALL INTERNATIONAL RIGHTS RESERVED.

LOC	DIST	P	F	ZONE	LTR	DESCRIPTION	DATE	APPD
BD	50				C	REDRAWN	9/27/90	-
					D	REV PER ECN BD5592	11/21/91	-
					E	REV PER EC 0410-251-97	22 SEP 97	JDS



1. THIS PART TO BE USED WITH:
 PLUG ASSEMBLY 520424-6
 TOP SHIELD 520466-1
 FERRULE 520441-1



520467-1
 PART NUMBER

DO NOT SCALE PRINT. UNLESS SPECIFIED DIMENSIONS IN mm [INCHES] TOLERANCES ON : 2 PLC DEC ± 0.38 [0.015] 3 PLC DEC ± - ANGLES ± -	DR 9/27/90 A.STAUB BG	AMP Incorporated Harrisburg, PA 17105-3608
	CHK 2-25-91 R.STONE	
MATERIAL 0.320 [0.0126] COPPER ALLOY	APPD 2-27-91 J.PRITULSKY	NAME SHELL, BOTTOM HALF, 16 POSITION, SDL
FINISH 3.81 μm [0.000150] MIN TIN OVER 2.54 μm [0.000100] MIN COPPER	APPD - PRODUCT SPEC - APPLICATION SPEC -	SIZE C 00779 DRAWING NO 520467
	WEIGHT -	SCALE 5:1 SHEET 1 OF 1

单击下面可查看定价，库存，交付和生命周期等信息

[>>TE Connectivity\(泰科\)](#)