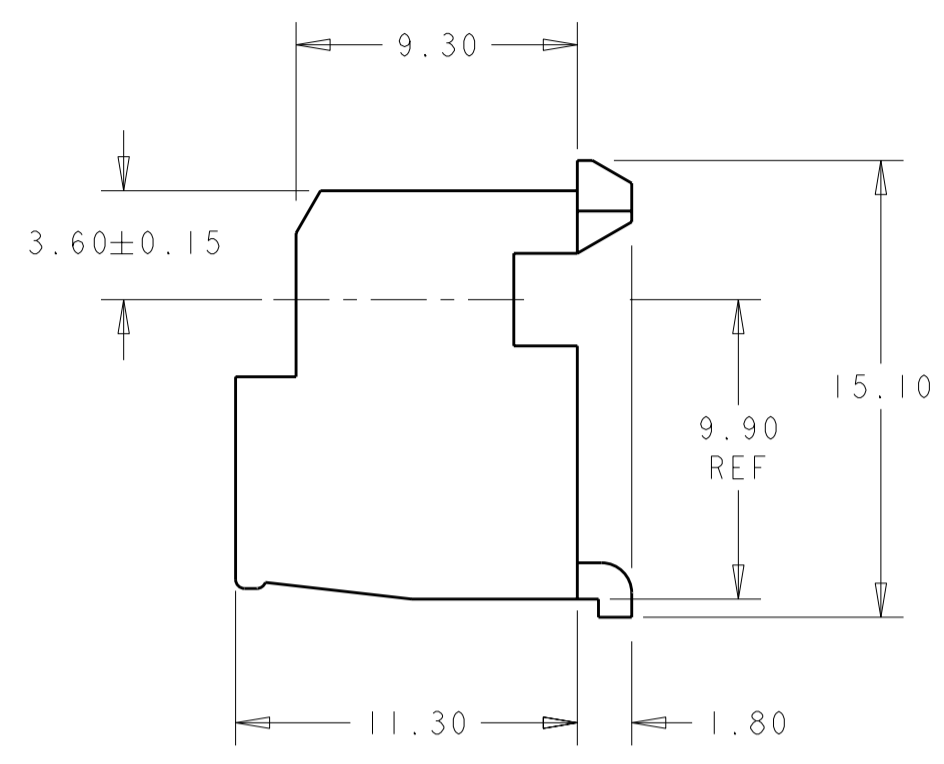
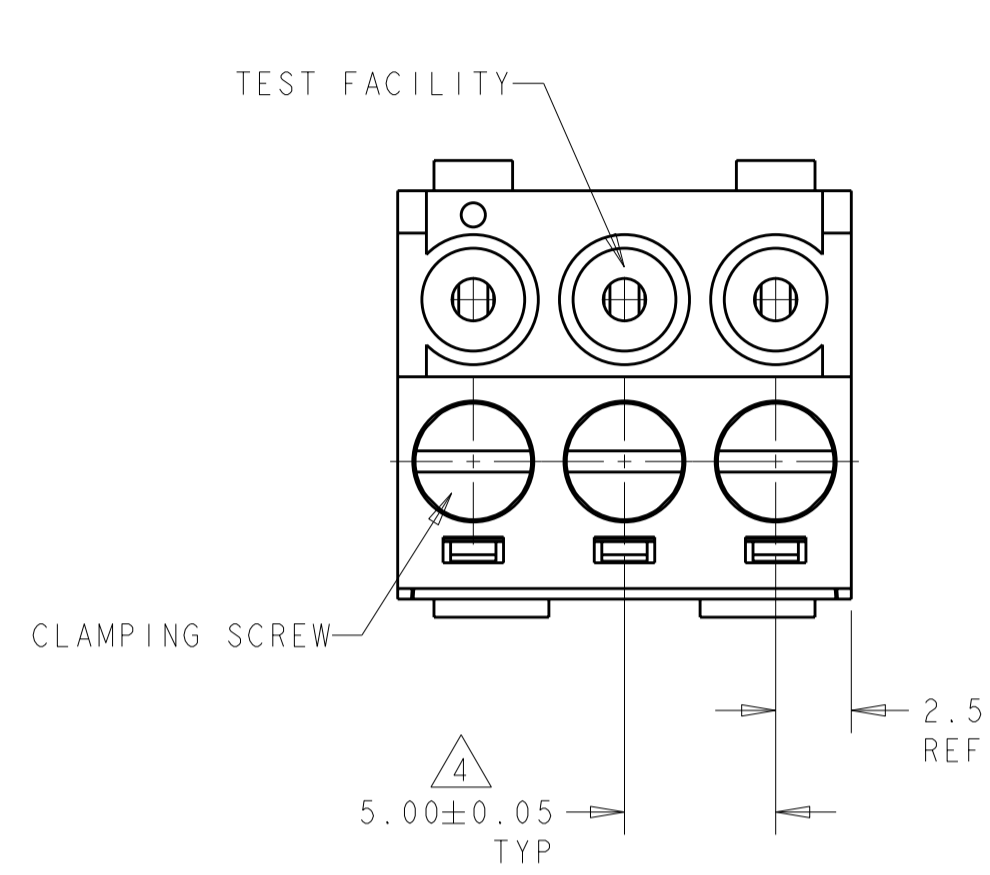
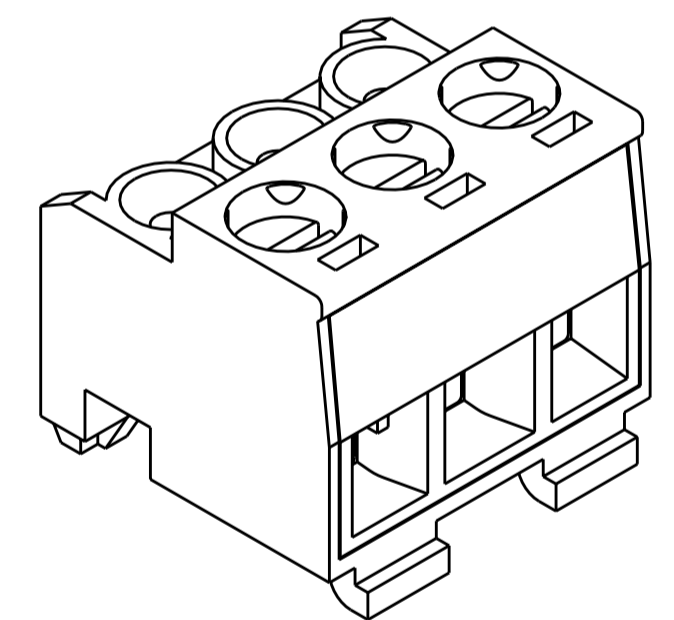
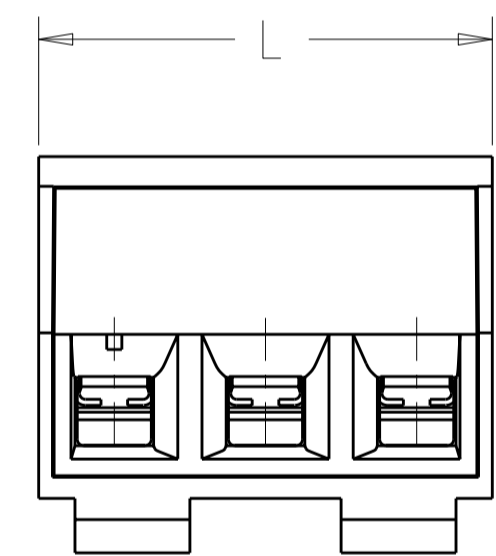


THIS DRAWING IS UNPUBLISHED. RELEASED FOR PUBLICATION 20
 © COPYRIGHT 20 BY TYCO ELECTRONICS CORPORATION. ALL RIGHTS RESERVED.

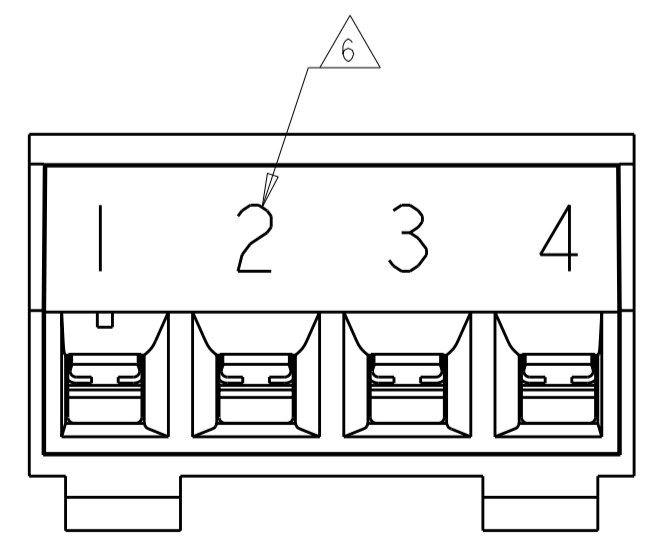
LOC		DIST		REVISIONS			
P	LTR	DESCRIPTION	DATE	DWN	APVD		
	D	REVISED ECO-05-007228	30AUG2005	SW	CR		
	DI	ADDED 1--5, ECO-05-010011	09NOV2005	SW	CR		
	E	REVISED ECO-06-022418	26SEP2006	SW	CR		
	F	REVISED PER ECO-08-003247	06FEB2008	SS	CR		



- 1 MATERIAL AND FINISH
 HOUSING: PA 6.6, UL 94 V-0 RATED, COLOR: GREEN.
 CLAMP: BRASS, NICKEL PLATED.
 TERMINAL: BRASS, TIN PLATED.
 CONTACT SPRING: PHOSPHOR BRONZE, TIN PLATED.
 CLAMPING SCREW: BRASS, NICKEL PLATED.
- 2. END-TO-END STACKABLE WITHOUT LOSS OF CENTERLINE SPACING.
- 3. WIRE RANGE: 14-30 AWG.
- 4 NOT CUMULATIVE TOLERANCE.
- 5. BUCHANAN LOGO TO APPEAR ON HOUSING, LOCATION OPTIONAL WHERE SPACE PERMITS.
- 6 MARKED WITH PERMANENT WHITE INK IN APPROX AREA SHOWN.



1546173-3 AS SHOWN



DETAIL Z

PRELIMINARY	SEE DETAIL Z	QTY	SELECTIVELY LOADED IN POSITIONS	L	NO OF POSN	PART NUMBER
-	4	ALL	20.0	4	1-1546173-5	
-	5	1, 3, 5, 7, 8	40.0	8	1-1546173-4	
-	12	ALL	60.0	12	1-1546173-2	
-	11	ALL	55.0	11	1-1546173-1	
-	10	ALL	50.0	10	1-1546173-0	
-	9	ALL	45.0	9	1546173-9	
-	8	ALL	40.0	8	1546173-8	
-	7	ALL	35.0	7	1546173-7	
-	6	ALL	30.0	6	1546173-6	
-	5	ALL	25.0	5	1546173-5	
-	4	ALL	20.0	4	1546173-4	
-	3	ALL	15.0	3	1546173-3	
-	2	ALL	10.0	2	1546173-2	

<small>THIS DRAWING IS A CONTROLLED DOCUMENT FOR TYCO ELECTRONICS CORPORATION. IT IS SUBJECT TO CHANGE AND THE CONTROLLING ENGINEERING ORGANIZATION SHOULD BE CONTACTED FOR THE LATEST REVISION.</small>		DWN S.WELDON 18APR2002 CHK D.BIEVENOUR 18APR2002 APVD D.BIEVENOUR 18APR2002	Tyco Electronics Harrisburg, PA 17105-3608
DIMENSIONS: mm	TOLERANCES UNLESS OTHERWISE SPECIFIED: 0 PLC ±- 1 PLC ±0.3 2 PLC ±0.25 3 PLC ±0.000 4 PLC ±0.0000 ANGLES ±- FINISH	PRODUCT SPEC APPLICATION SPEC WEIGHT	NAME TERMINAL BLOCK, PLUG, 90 DEGREE, STACKING, 5.0mm PITCH
MATERIAL	FINISH	CUSTOMER DRAWING	SIZE A2 CAGE CODE 00779 DRAWING NO C-1546173 RESTRICTED TO
SCALE 4:1		SHEET 1 OF 1	REV F

单击下面可查看定价，库存，交付和生命周期等信息

[>>TE Connectivity\(泰科\)](#)