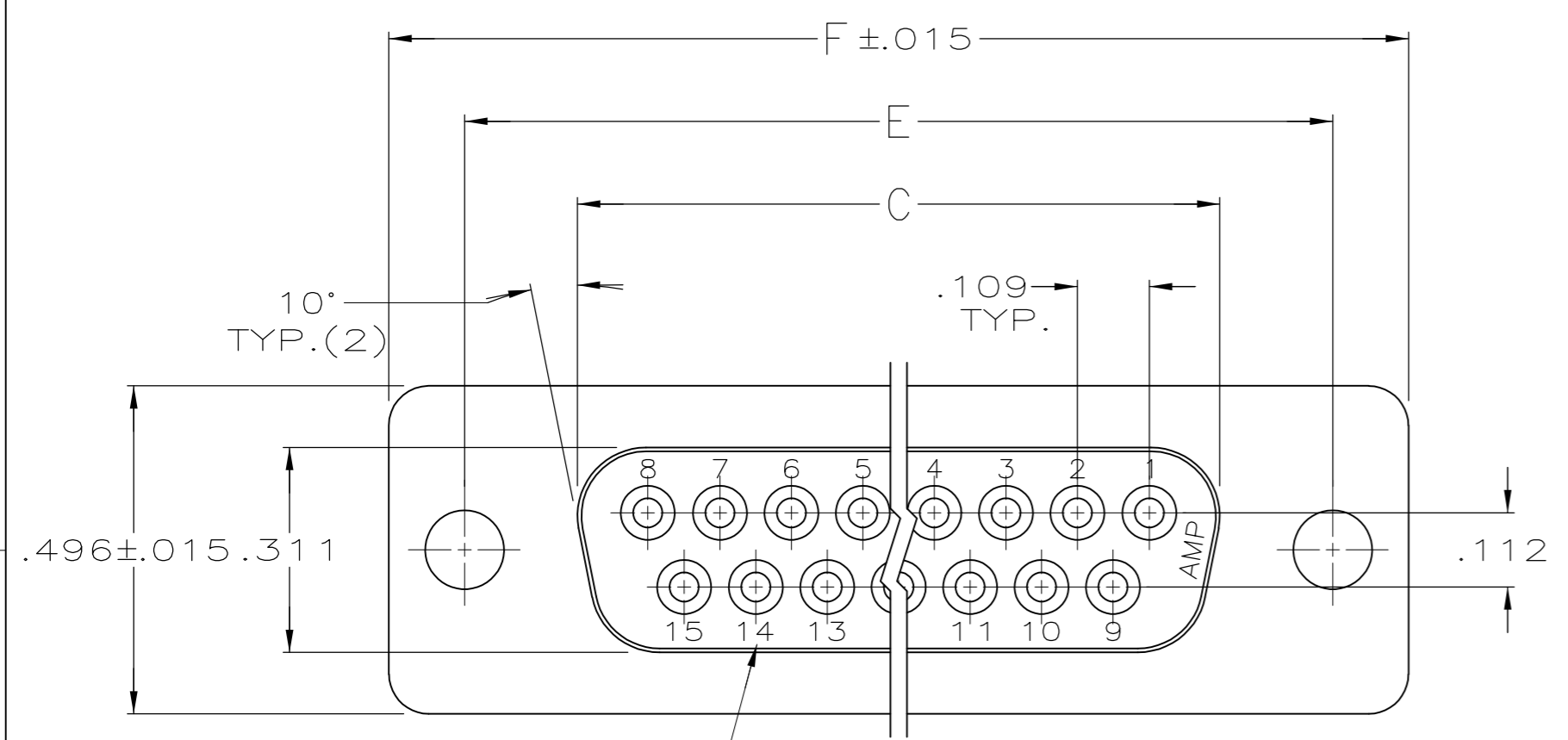


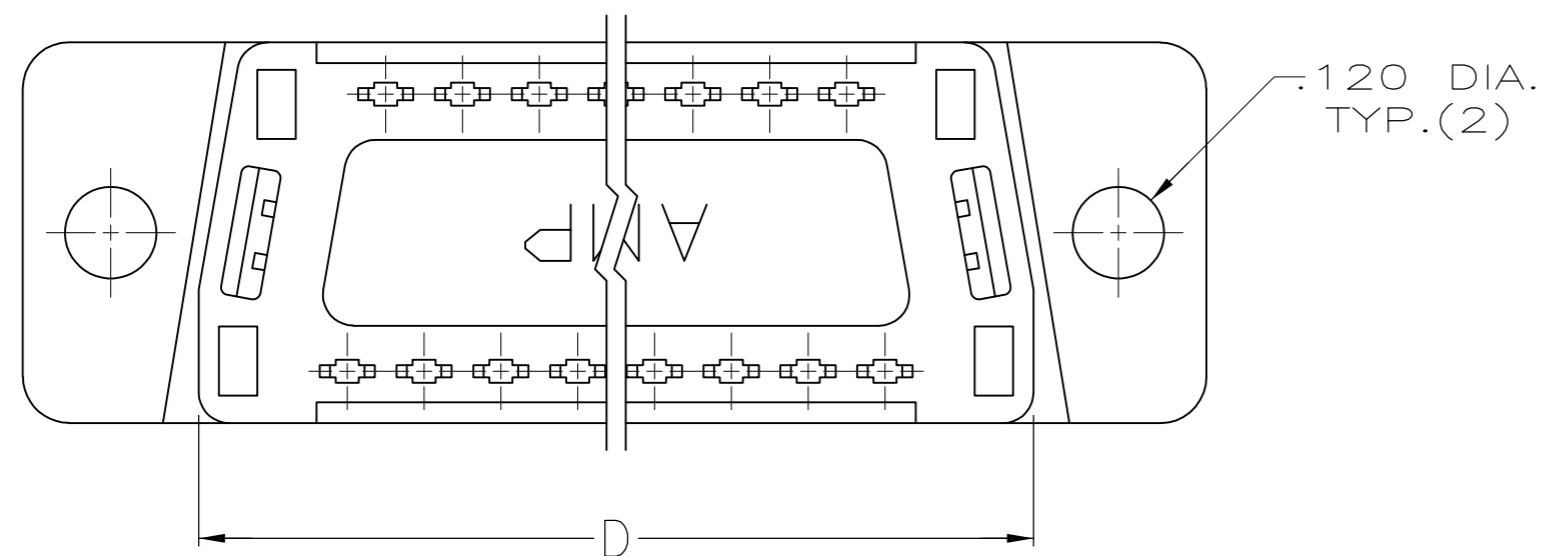
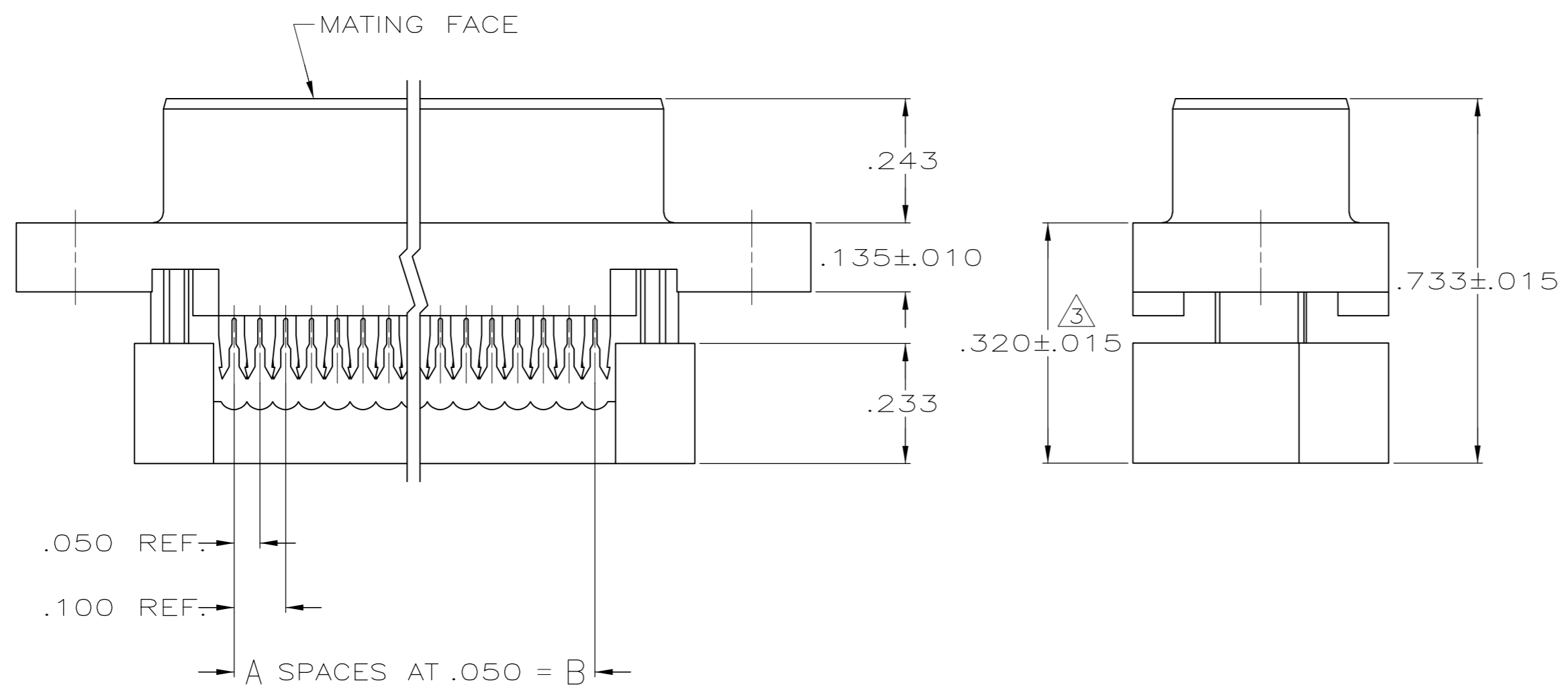
THIS DRAWING IS UNPUBLISHED. RELEASED FOR PUBLICATION
 © COPYRIGHT - By - ALL RIGHTS RESERVED.

LOC		DIST		REVISIONS					
GP		00		P	LTR	DESCRIPTION	DATE	DWN	APVD
				P		REVISED PER ECO-11-004835	11MAR11	RK	HMR



DEPRESSED CAVITY IDENTIFICATION (15 POSITION SHOWN)

1. CONNECTORS COMPLY WITH AMP SPEC. 108-40,012 AND MATE WITH ANY SAME NUMBER POSITION PLUG CONNECTOR IN AMPLIMITE SERIES.
2. CONNECTOR DESIGNED FOR 28 AND 26 AWG STRANDED AND SOLID CONDUCTOR RIBBON CABLE ON $.050 \phi$.
3. DIMENSION APPLIES TO TERMINATED CONNECTOR.
4. MOLDED PARTS: FLAME RETARDANT 94V-0 RATED THERMOPLASTIC; COLOR: BLACK.
5. CONTACTS: PHOS. BRONZE PER QQ-B-750.
6. GOLD PLATING PER MIL-G-45204, TIN PLATING PER MIL-T-10727, NICKEL PLATING PER QQ-N-290
7. CONTACTS: PLATED WITH $.000030$ GOLD IN LOCALIZED GOLD PLATE AREA, $.000100 - .000200$ MATTE TIN ON TERMINATION END, ALL OVER $.000050$ NICKEL ON ENTIRE CONTACT.



1.216	.984	.759	.643	.400	8	9	1658614-4
1.541	1.312	1.087	.971	.700	14	15	1658614-3
2.090	1.852	1.623	1.511	1.200	24	25	1658614-2
2.732	2.500	2.275	2.159	1.800	36	37	1658614-1
F	E	D	C	B	A	NO.OF POS.	PART NUMBER

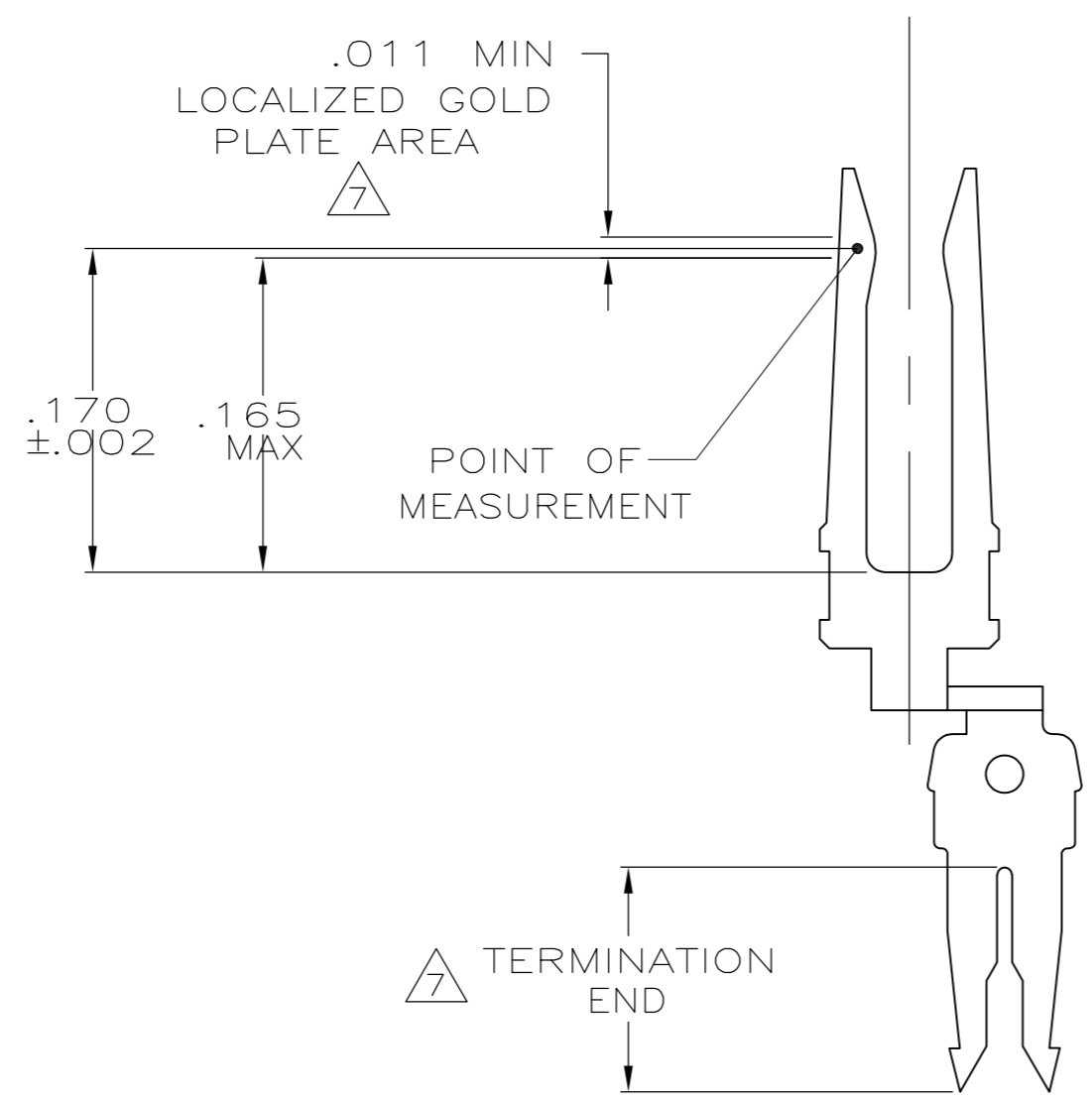
THIS DRAWING IS A CONTROLLED DOCUMENT.

DIMENSIONS: INCHES	TOLERANCES UNLESS OTHERWISE SPECIFIED:	DWN L. BAUM 6/13/03	
	0 PLC ± -	CHK C. ROHDE 6/13/03	
	1 PLC ± -	APVD M. WALMSLEY 6/13/03	
	2 PLC ± -	PRODUCT SPEC	
	3 PLC ± .005	APPLICATION SPEC	
MATERIAL	FINISH	WEIGHT -	RESTRICTED TO -
4 5	6 7	SIZE A2	CAGE CODE 00779
CUSTOMER DRAWING		SCALE 4:1	DRAWING NO. 1658614

TE Connectivity
 RECEPTACLE ASSEMBLY, LEAD-FREE, AMPLIMITE HDF
 SHEET 1 of 2
 REV P

THIS DRAWING IS UNPUBLISHED. RELEASED FOR PUBLICATION
 © COPYRIGHT - By - ALL RIGHTS RESERVED.

LOC	DIST	REVISIONS					
GP	00	P	LTR	DESCRIPTION	DATE	DWN	APVD
		-	-	SEE SHEET 1	-	-	-



CONTACT DETAIL
 SCALE 10:1

THIS DRAWING IS A CONTROLLED DOCUMENT.		DWN	L. BAUM	6/13/03		TE Connectivity		
DIMENSIONS: INCHES		CHK	C. ROHDE	6/13/03		NAME		
		APVD	M. WALMSLEY	6/13/03		RECEPTACLE ASSEMBLY, LEAD-FREE, AMPLIMITE HDF		
TOLERANCES UNLESS OTHERWISE SPECIFIED:		PRODUCT SPEC	APPLICATION SPEC			RESTRICTED TO		
0 PLC ± -		WEIGHT	-			SIZE	A2	
1 PLC ± -		MATERIAL		SEE SHEET 1		CAGE CODE	00779	
2 PLC ± -		FINISH		SEE SHEET 1		DRAWING NO	C=1658614	
3 PLC ± .005		CUSTOMER DRAWING		SCALE		4:1	SHEET	
4 PLC ± -		SCALE		4:1		2	OF 2	
ANGLES ± 2°		REV		P				

1658614

单击下面可查看定价，库存，交付和生命周期等信息

[>>TE Connectivity\(泰科\)](#)

[>>点击查看相关商品](#)