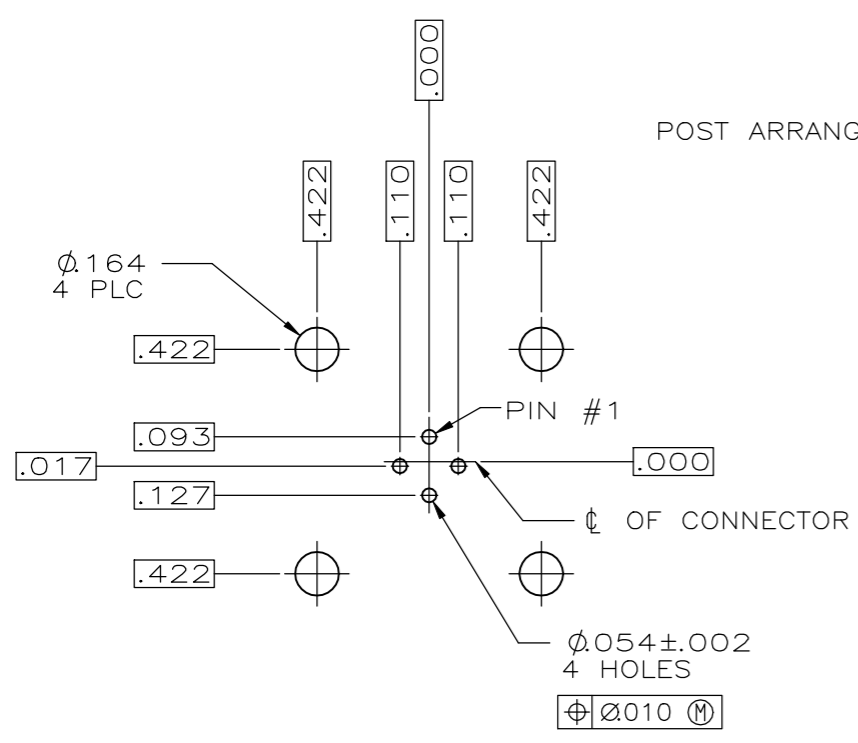
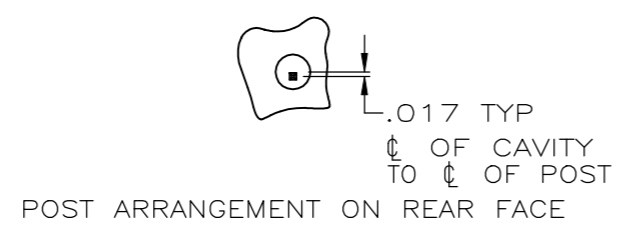
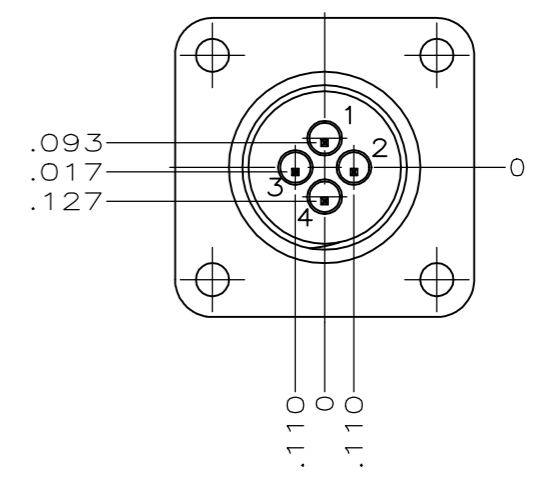
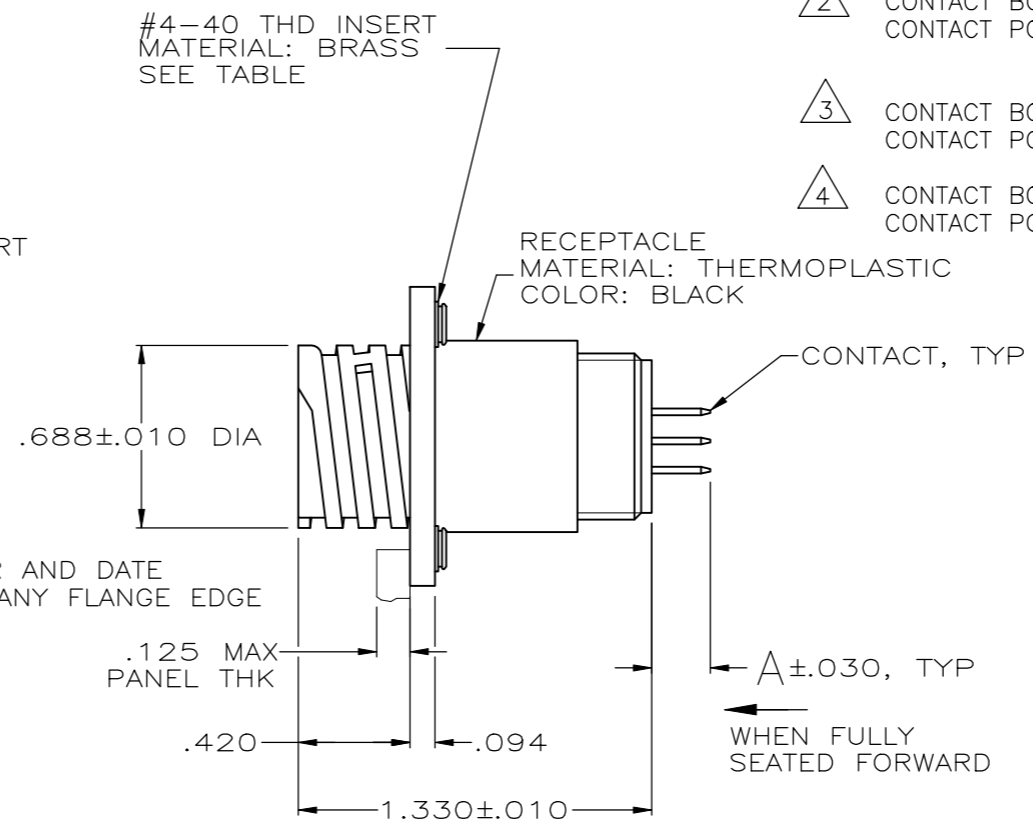
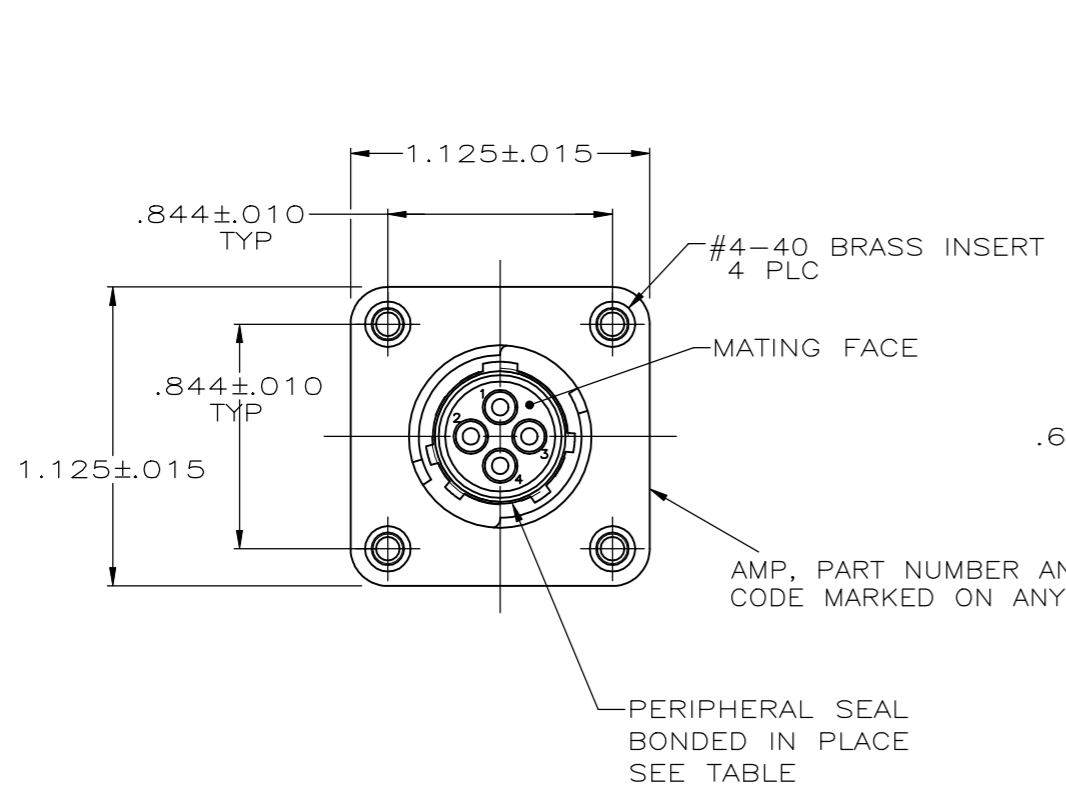


THIS DRAWING IS UNPUBLISHED. RELEASED FOR PUBLICATION. ALL RIGHTS RESERVED.

REVISIONS				
P	LTR	DESCRIPTION	DATE	APVD
T		REVISED PER ECO-18-007248	17MAY2018	KH MZ
T1		REVISED PER ECO-18-016525	22OCT2018	RS MZ

- 1 RECEPTACLE IS LOADED WITH 4 TYPE III+ POSTED PIN CONTACTS.
- △2 CONTACT BODY: GOLD PER MIL-G-45204 OVER NICKEL PER QQ-N-290. CONTACT POST: TIN-LEAD PER MIL-T-10727 OVER COPPER PER MIL-C-14550A.
- △3 CONTACT BODY: GOLD PER MIL-G-45204 OVER NICKEL PER QQ-N-290. CONTACT POST: TIN OVER COPPER PER MIL-C-14550A.
- △4 CONTACT BODY: TIN OVER NICKEL PER MIL-C-14550A. CONTACT POST: TIN OVER NICKEL PER MIL-C-14550A.



CONTACT FINISH	PERIPHERAL SEAL	THREADED INSERTS	PART NUMBER
△3			1-207825-5
△4			1-207825-4
△3			1-207825-2
△4			1-207825-1
△3			1-207825-0
△3			207825-9
△2			207825-8
△2			207825-7
△2			207825-6
△2			207825-5
△2			207825-4
△2			207825-3
△2			207825-2
△2			207825-1

THIS DRAWING IS A CONTROLLED DOCUMENT.

DWN: R.LEE BG 7-1-91
CHK: W.G.LENKER 4-14-92
APVD: -

PRODUCT SPEC: 108-10024
APPLICATION SPEC: -

TE Connectivity
RECEPTACLE ASSEMBLY, POSTED, STD SEX, SERIES 1, 11-4, CPC

SIZE: A2 CAGE CODE: 00779 DRAWING NO: C=207825 RESTRICTED TO: -

MATERIAL: - CONTACT: △2 WEIGHT: - SCALE: 2:1 SHEET: 1 of 1 REV: T1

单击下面可查看定价，库存，交付和生命周期等信息

[>>TE Connectivity\(泰科\)](#)