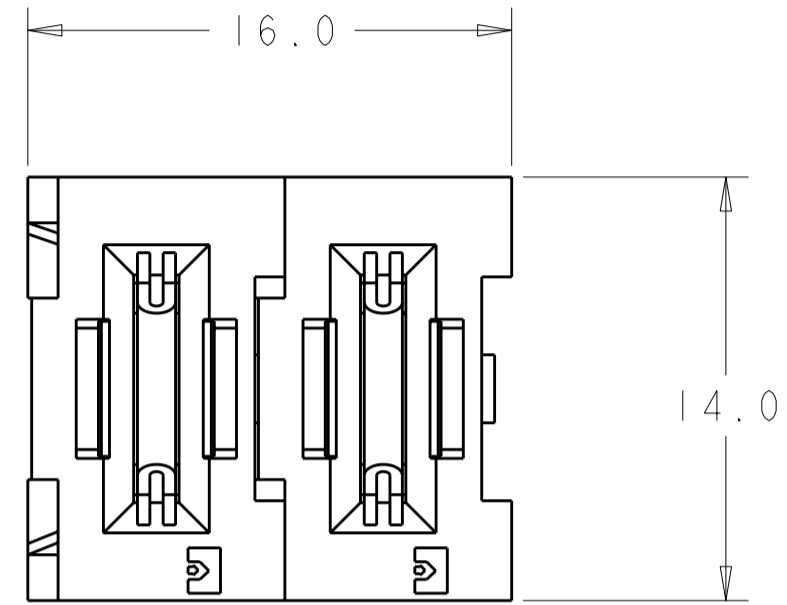


THIS DRAWING IS UNPUBLISHED. RELEASED FOR PUBLICATION 20  
 © COPYRIGHT 20 BY TYCO ELECTRONICS CORPORATION. ALL RIGHTS RESERVED.

LOC	DIST	REVISIONS					
GP	00	P	LTR	DESCRIPTION	DATE	DWN	APVD
		A		RELEASED	04OCT2006	RG	SF
		B		REV PER ECO-09-014346	23JUN2009	RG	MS

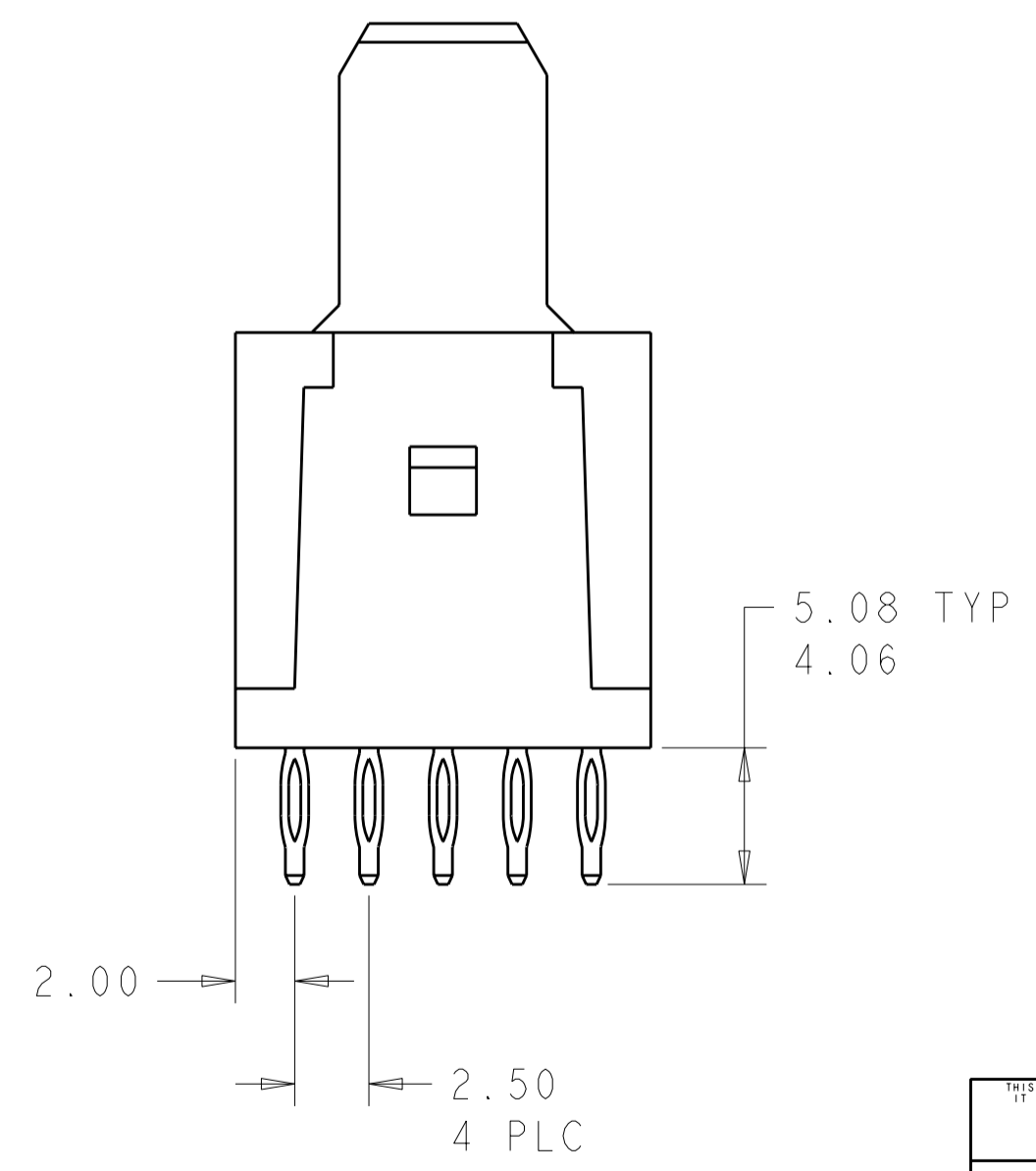
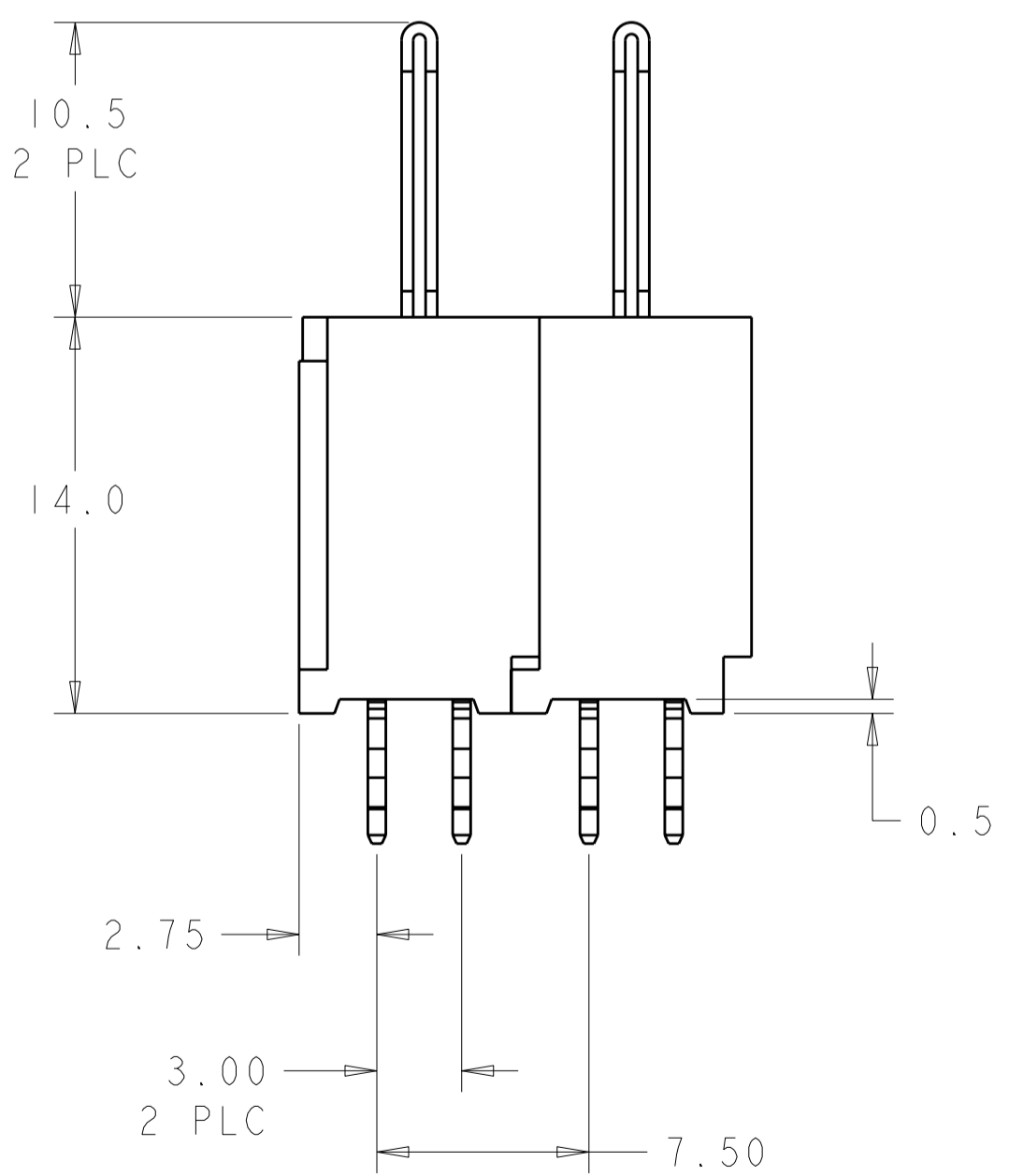


- PART NUMBER CHANGES AND OR DESIGN CHANGES AFFECTING ITEM INTERCHANGEABILITY REQUIRE PRIOR TYCO APPROVAL AND AUTHORIZATION BY REVISION TO THIS DRAWING.
- MATERIAL:
  - INSULATORS - THERMOPLASTIC, GLASS REINFORCED, COLOR: BLACK UL94V-0 FLAMMABILITY RATED.
  - CROWN BANDS - PHOSPHOR BRONZE ALLOY, COPPER ALLOY
  - POWER CONTACTS: COPPER ALLOY
- FINISH:
  - CONTACTS - GOLD PLATE .000030" MIN THK. OVER NICKEL .000050" MIN THK.
  - COMPLIANT TAILS- MATTE TIN PLATE .000040" MIN. THK. OVER NICKEL .000050" MIN THK.
- ITEMS PROVIDED TO THIS SPECIFICATION TO BE IDENTIFIED ON THE CONTAINER PER THE FOLLOWING IDENTIFIER LABEL

TYCO PART NO. XXXXXXXX-X      DATE CODE (e.g. 0106) XXXX

YEAR    WEEK   

5. MATES WITH TYCO P/N 6766003-1



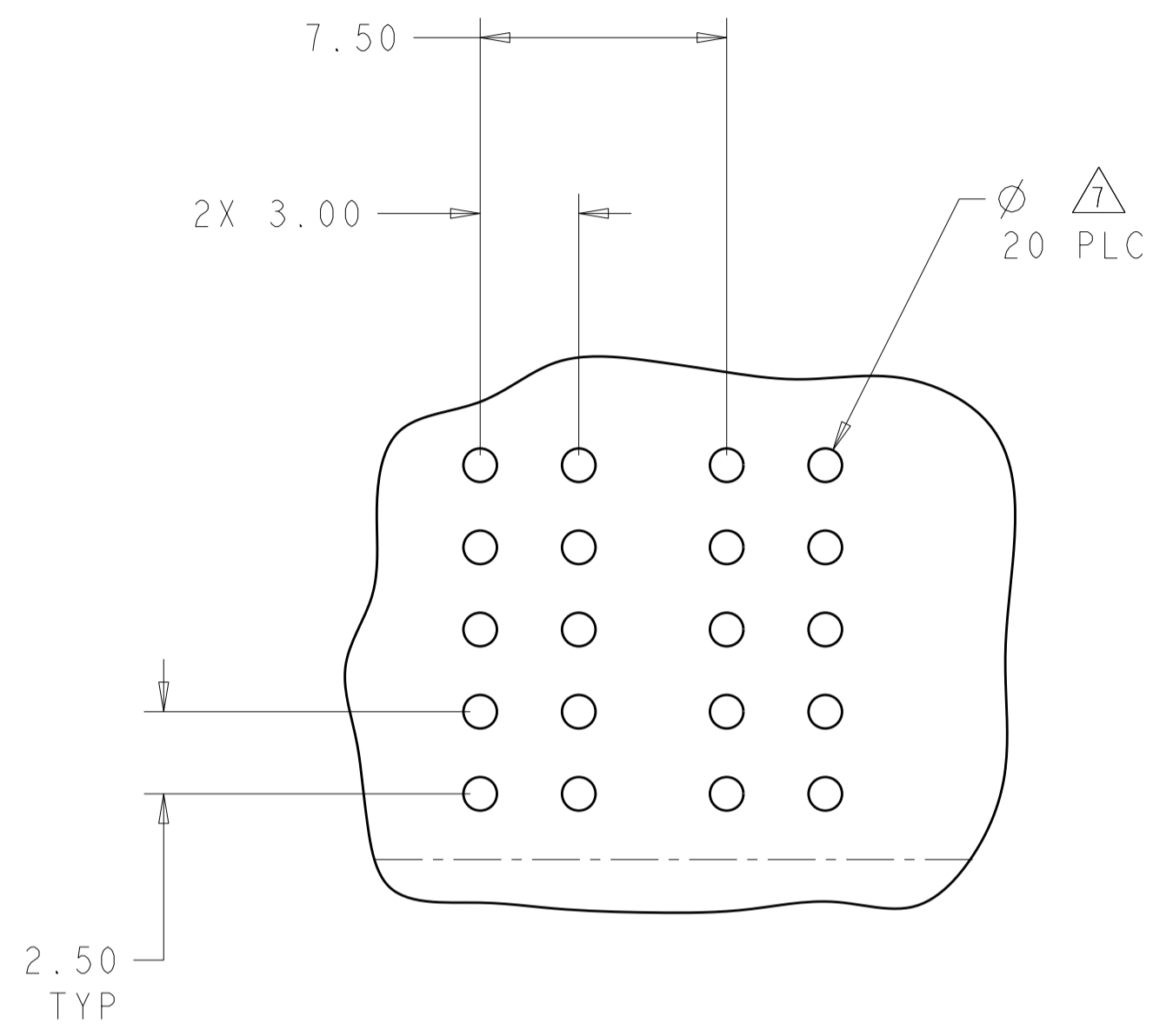
AS SHOWN	6766002-1
DESCRIPTION	PART NUMBER

THIS DRAWING IS A CONTROLLED DOCUMENT FOR TYCO ELECTRONICS CORPORATION. IT IS SUBJECT TO CHANGE AND THE CONTROLLING ENGINEERING ORGANIZATION SHOULD BE CONTACTED FOR THE LATEST REVISION.		DWN R.GRZYBOWSKI 04OCT2006	Tyco Electronics Harrisburg, PA 17105-3608
DIMENSIONS: mm		CHK S.FLICKINGER 04OCT2006	
TOLERANCES UNLESS OTHERWISE SPECIFIED:		APVD S.FLICKINGER 04OCT2006	
0 PLC ±- 1 PLC ±.3 2 PLC ±.15 3 PLC ±- 4 PLC ±- ANGLES ±.5 FINISH		PRODUCT SPEC - APPLICATION SPEC - WEIGHT -	
MATERIAL -		CUSTOMER DRAWING	NAME STRAIGHT PIN CONNECTOR COMPLIANT TAILS FLATPAQ SIZE A2 CAGE CODE 00779 DRAWING NO. 6766002 RESTRICTED TO - SCALE 4:1 SHEET 1 OF 3 REV B

**ELCON FLATPAQ**

THIS DRAWING IS UNPUBLISHED. RELEASED FOR PUBLICATION 20  
 © COPYRIGHT 20 BY TYCO ELECTRONICS CORPORATION. ALL RIGHTS RESERVED.

LOC	DIST	REVISIONS			
P	LTR	DESCRIPTION	DATE	DWN	APVD
GP	00	-	SEE SHEET 1	-	-



PRINTED CIRCUIT LAYOUT  
 COMPONENT SIDE

CONNECTOR	CATALOG MODULE #	QTY	SIZE NO.	CONTACT QTY	MATING PIN	MAX. CURRENT (PER CONTACT)	CONTACT SPACING	VOLTAGE RATING
PIN	FP201	2	8	2	1.25 X 7.00	35 amps	7.50	250

<small>THIS DRAWING IS A CONTROLLED DOCUMENT FOR TYCO ELECTRONICS CORPORATION. IT IS SUBJECT TO CHANGE AND THE CONTROLLING ENGINEERING ORGANIZATION SHOULD BE CONTACTED FOR THE LATEST REVISION.</small>		DWN R. GRZYBOWSKI CHK S. FLICKINGER APVD S. FLICKINGER	04OCT2006 04OCT2006 04OCT2006	<b>tyco</b> Electronics Tyco Electronics Harrisburg, PA 17105-3608
DIMENSIONS: mm 	TOLERANCES UNLESS OTHERWISE SPECIFIED: 0 PLC ±- 1 PLC ±.3 2 PLC ±.15 3 PLC ±- 4 PLC ±- ANGLES ±.5 FINISH	PRODUCT SPEC APPLICATION SPEC WEIGHT	NAME STRAIGHT PIN CONNECTOR COMPLIANT TAILS FLATPAQ SIZE CAGE CODE DRAWING NO A200779 C-6766002	RESTRICTED TO -
MATERIAL		CUSTOMER DRAWING		SCALE 4:1 SHEET 2 OF 3 REV B

4

3

2

1

THIS DRAWING IS UNPUBLISHED. RELEASED FOR PUBLICATION 20  
 © COPYRIGHT 20 BY TYCO ELECTRONICS CORPORATION. ALL RIGHTS RESERVED.

LOC	DIST	REVISIONS			
P	LTR	DESCRIPTION	DATE	DWN	APVD
GP	00	-	SEE SHEET 1	-	-

5.08  
4.06  
P.C. BOARD SURFACE REF

0.63  
0.12  
0.04  
Ø1.09  
Ø0.94

6. COMPLIANT PIN DETAIL

SCALE 10 : 1

INSERTION/EXTRACTION FORCES

MAXIMUM PUSH IN: 133.3N PER PIN (30 LBS)

MINIMUM PUSH OUT: 44.4N PER PIN (10 LBS)

7 SOLDER TERMINATION AREA

SCALE 40:1

RECOMMENDED PRINTED CIRCUIT HOLE

COMPLIANT PRESS FIT

DRILLED HOLE: Ø1.15 ±.013

COPPER PLATE: .025 TO .050

TIN PLATE: .0005 MIN. (PER SURFACE)

THIS DRAWING IS A CONTROLLED DOCUMENT FOR TYCO ELECTRONICS CORPORATION IT IS SUBJECT TO CHANGE AND THE CONTROLLING ENGINEERING ORGANIZATION SHOULD BE CONTACTED FOR THE LATEST REVISION.		DWN R. GRZYBOWSKI 04OCT2006	tyco Electronics		Tyco Electronics Harrisburg, PA 17105-3608	
DIMENSIONS: mm		CHK S. FLICKINGER 04OCT2006	NAME STRAIGHT PIN CONNECTOR COMPLIANT TAILS FLATPAQ			
TOLERANCES UNLESS OTHERWISE SPECIFIED:		APVD S. FLICKINGER 04OCT2006	SIZE A200779			
0 PLC ±-		PRODUCT SPEC	DRAWING NO C-6766002			
1 PLC ±.3		APPLICATION SPEC	RESTRICTED TO			
2 PLC ±.15		WEIGHT	-			
3 PLC ±-		CUSTOMER DRAWING	SCALE 4:1 SHEET 3 OF 3 REV B			
4 PLC ±-						
ANGLES ±.5						
FINISH						

AMP 1471-9 REV 31MAR2000

Downloaded From [Onevac.com](http://Onevac.com)

单击下面可查看定价，库存，交付和生命周期等信息

[>>TE Connectivity\(泰科\)](#)