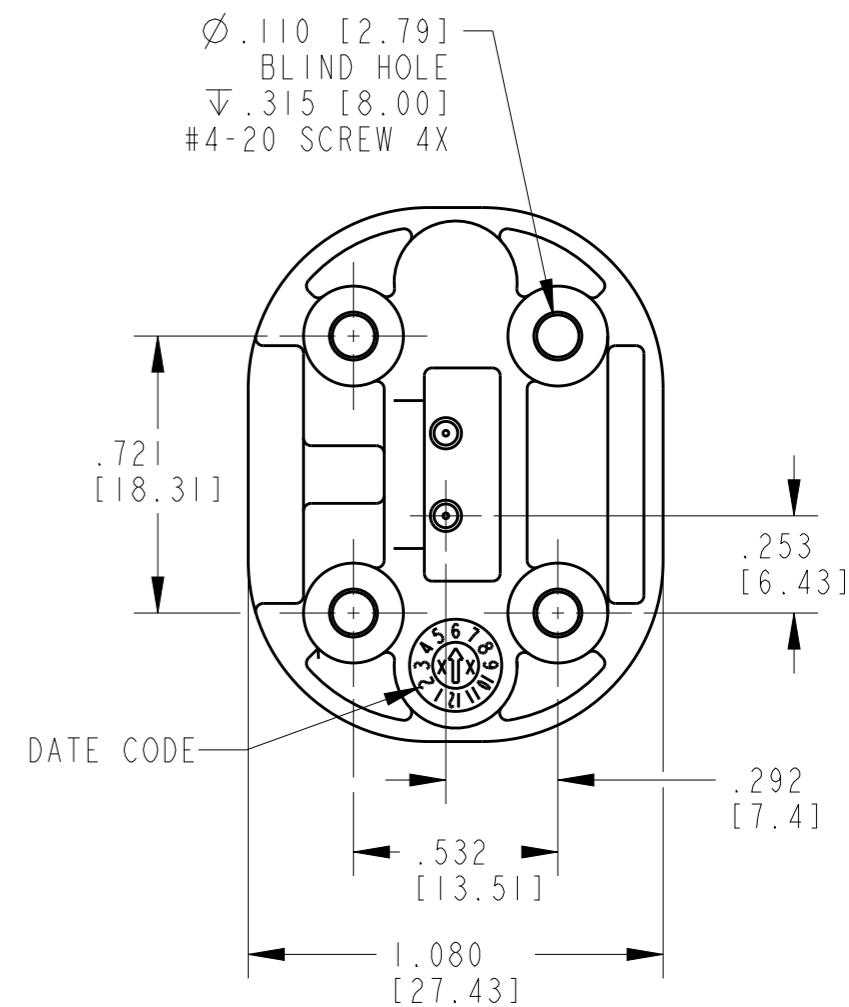
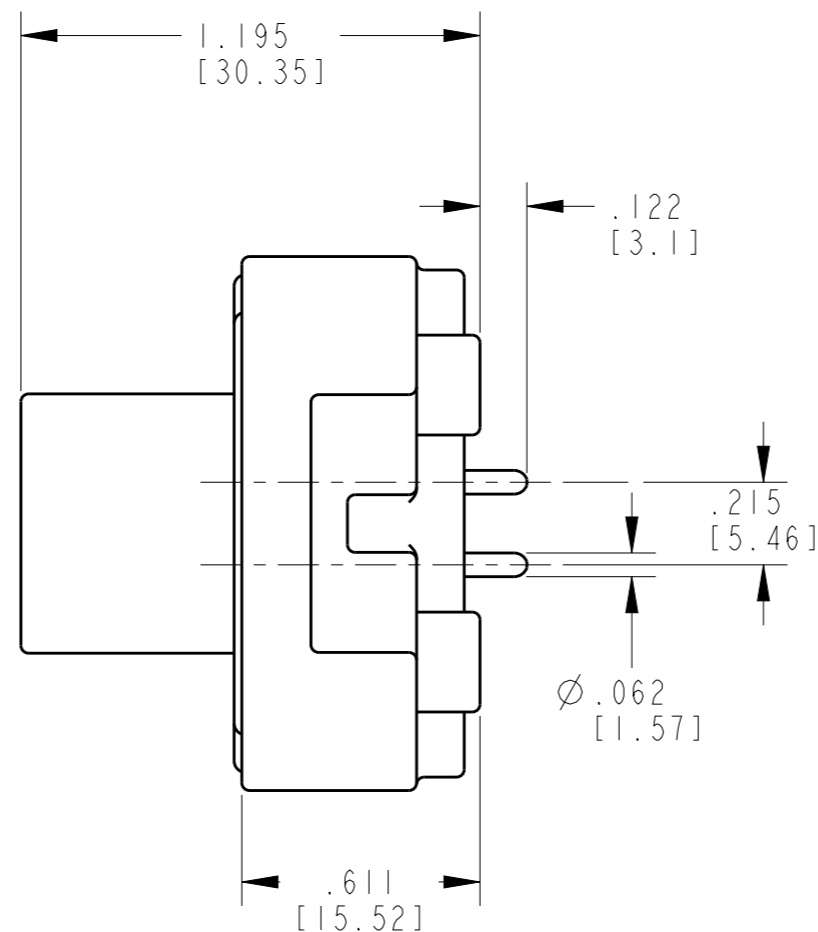
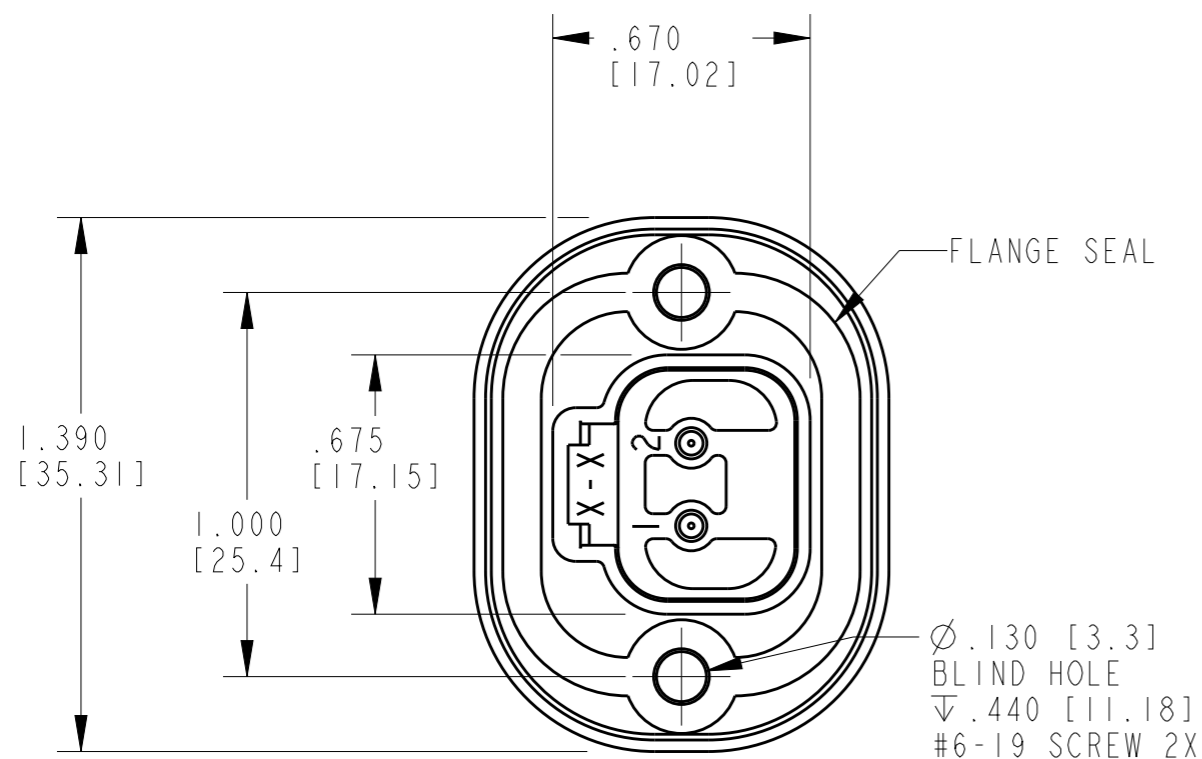


P	LTR	DESCRIPTION	DATE	DWN	APVD
	C1	REVISED PER PCN-E-19-016091	07MAY2019	MK	DM



7. MINIMUM RECOMMENDED HOLE SIZE. CUSTOMER TO DETERMINE FINISHED HOLE SIZE BASED ON SOLDER PROCESS.

6. CONTACT PLATING - MATING SIDE: NICKEL; PCB SIDE: TIN.

5. MOUNTING SCREW TORQUE VALUES ARE AS FOLLOWS:
 #6-19 SCREWS: 13±2.0 IN-LB [1.47±.23 N-M].
 #4-20 SCREWS: 8±2.0 IN-LB [.90±.23 N-M].
 VALUES VALID FOR PLASTITE 48 SCREWS ONLY.

4. RECOMMENDED MOUNTING SCREWS (NOT INCLUDED):
 CAMCAR PLASTITE 48.

3. THIS RECEPTACLE MATES WITH DT06-2S-XXXX PLUG
 (XXXX = ALL MODIFICATIONS.)

2. SHELL MATERIAL: PA GF30 (GRAY);
 FLANGE SEAL MATERIAL: SILICONE (ORANGE-RED).

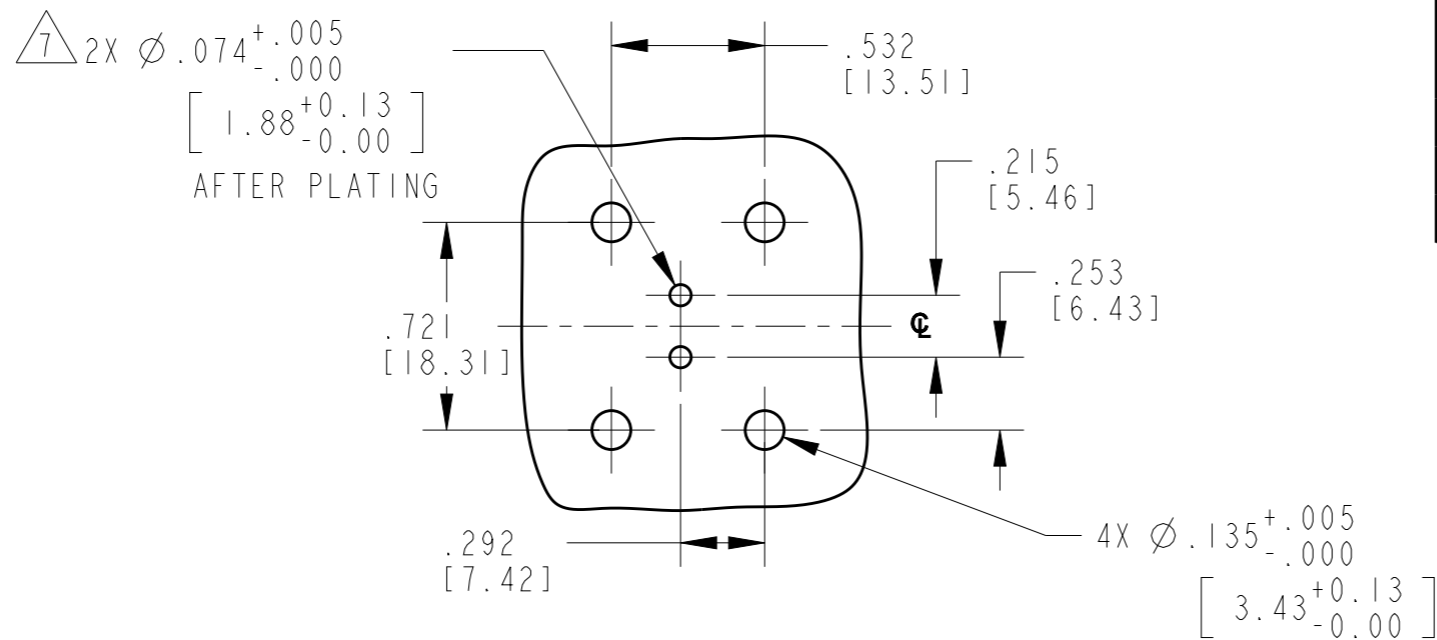
1. DIMENSION TOLERANCE: ±.025 [0.64]
 PANEL CUTOUT: ±.010 [0.25]
 PIN LOCATION: ±.005 [0.13]
 MOUNTING HOLE LOCATION: ±.005 [0.13]
 PCB LAYOUT ±.005 [0.13]

NOTES:

TCPN	ALIAS PART NUMBER
DT15-2P	DT15-2P

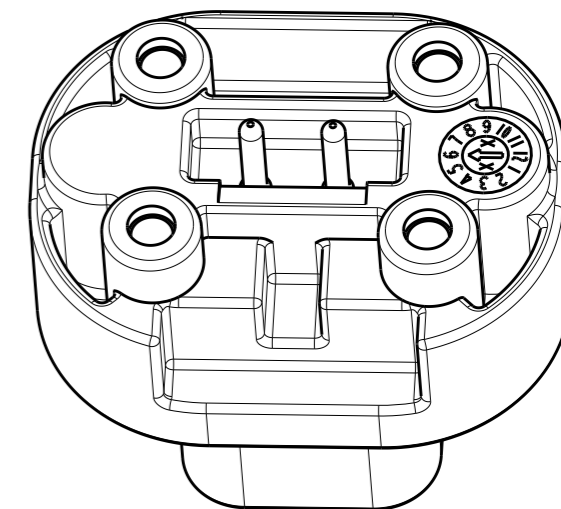
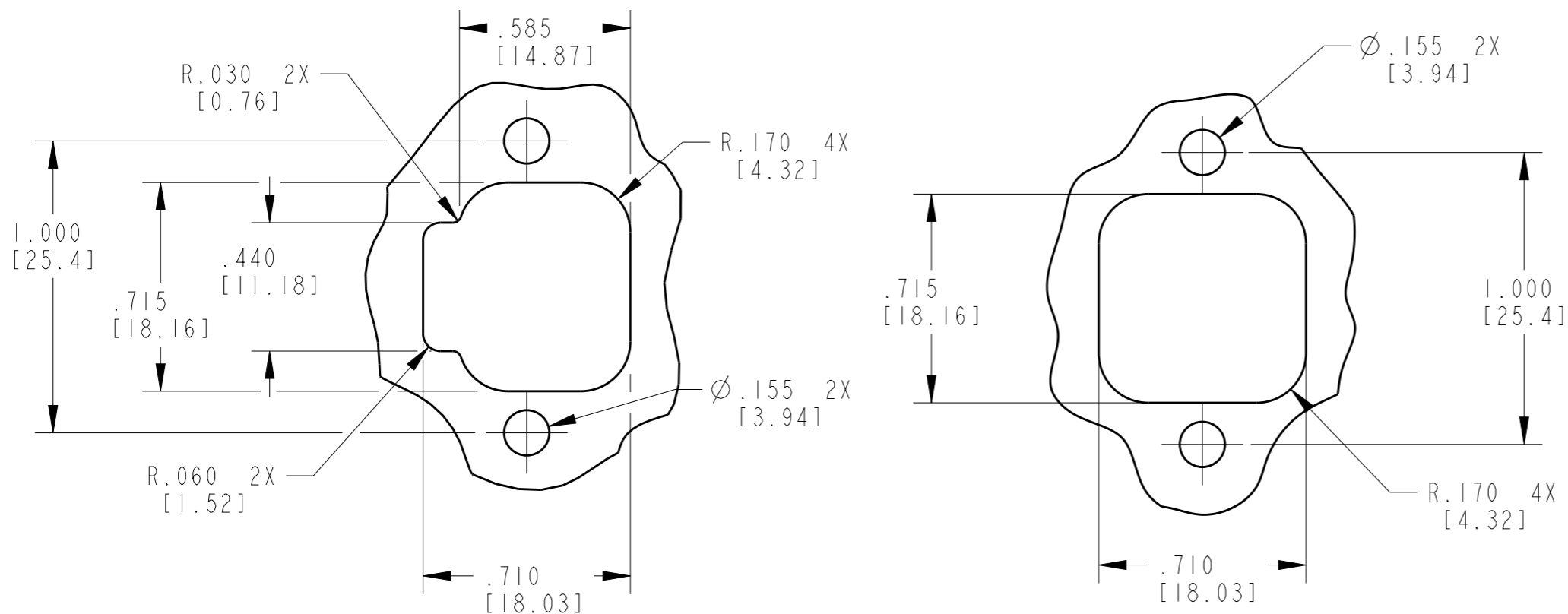
THIS DRAWING IS A CONTROLLED DOCUMENT.		DWN P. BURKE 04JAN2002		
DIMENSIONS: INCHES[MM]		CHK J. APOSTOL 16NOV2006		
TOLERANCES UNLESS OTHERWISE SPECIFIED:		APVD S. BEARD 16NOV2006	NAME PCB MOUNT RECEPTACLE 2 PIN-STRAIGHT DT SERIES COLOUR: GRAY	
		PRODUCT SPEC 108-151009	RESTRICTED TO	
MATERIAL		APPLICATION SPEC	SIZE A3	CAGE CODE 4AFU8
FINISH		WEIGHT 14 g	DRAWING NO DT15-2P	
		CUSTOMER DRAWING	SCALE 2:1	SHEET 1 OF 2
				REV C1

P	LTR	DESCRIPTION	DATE	DWN	APVD
-	-	SEE SHEET 1	-	-	-



SEE SHEET ONE

RECOMMENDED PCB LAYOUT



3D VIEW

RECOMMENDED PANEL CUTOUTS

THIS DRAWING IS A CONTROLLED DOCUMENT.		DWN P. BURKE 04JAN2002	TE Connectivity		
DIMENSIONS: INCHES [MM]		CHK J. APOSTOL 16NOV2006			
TOLERANCES UNLESS OTHERWISE SPECIFIED:		APVD S. BEARD 16NOV2006	NAME PCB MOUNT RECEPTACLE 2 PIN-STRAIGHT DT SERIES COLOUR: GRAY		
0 PLC ± 1 PLC ± 2 PLC ± 3 PLC ± 4 PLC ± ANGLES ±1°		PRODUCT SPEC 108-151009	RESTRICTED TO		
MATERIAL 2		FINISH	SIZE A3	CAGE CODE 4AFU8	DRAWING NO G-DT15-2P
		WEIGHT 14 g			
		CUSTOMER DRAWING	SCALE 2:1	SHEET 2 OF 2	REV C1

单击下面可查看定价，库存，交付和生命周期等信息

[>>TE Connectivity\(泰科\)](#)