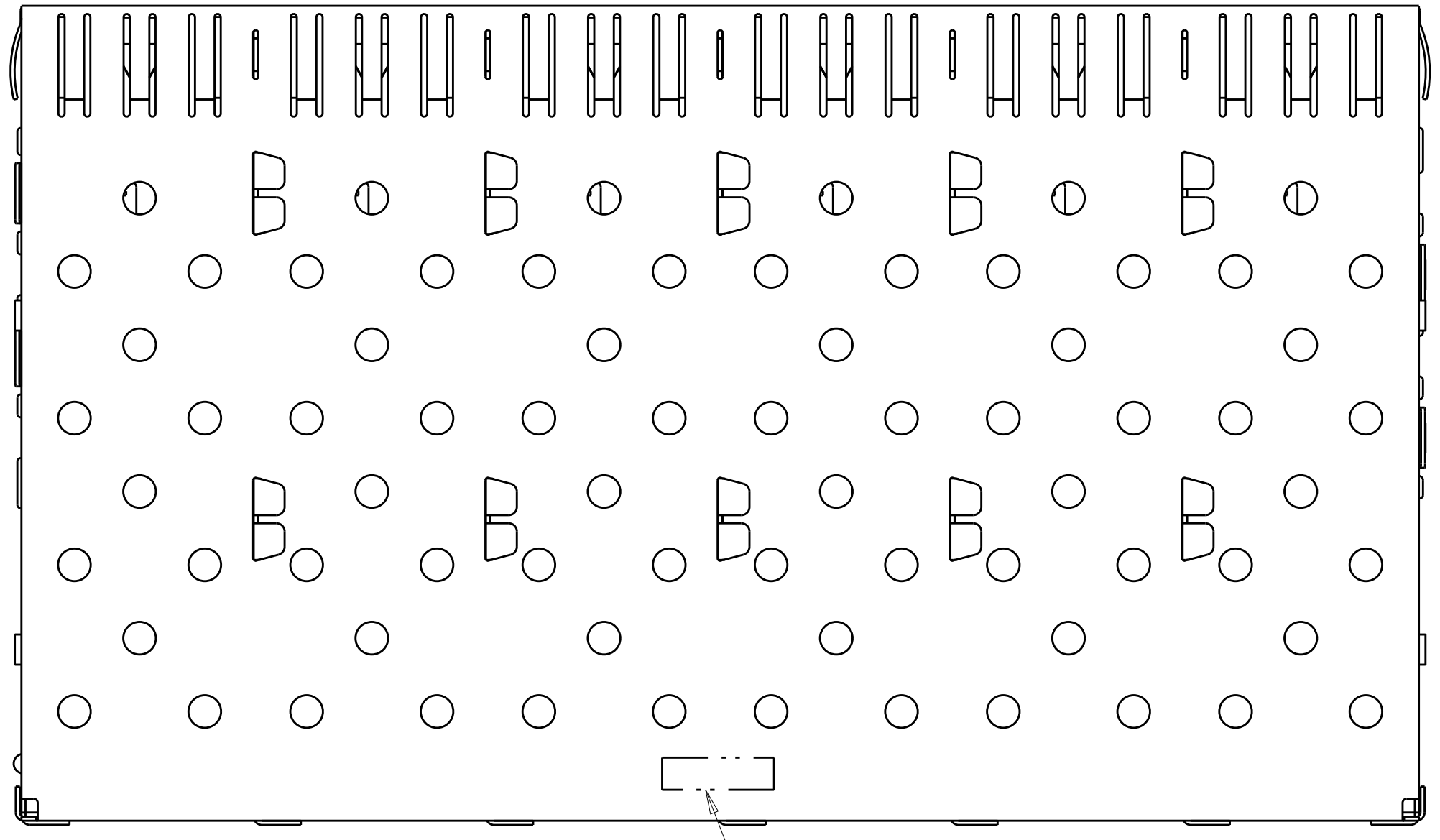
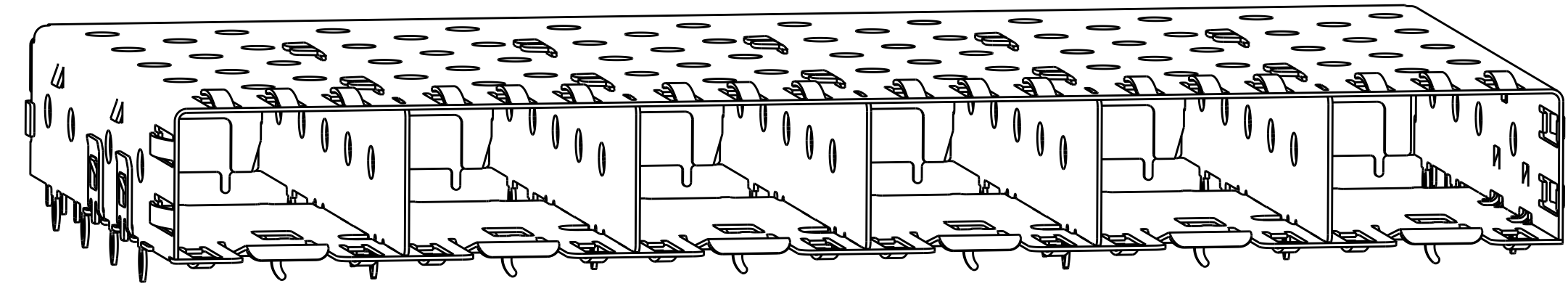


LOC		DIST		REVISIONS			
GP	00	P	LTN	DESCRIPTION	DATE	DWN	APVD
		D1		REVISED PER ECO-11-004835	13APR2011	RK	HMR
		E		REVISED PER ECO-14-000886	20FEB2014	JW	SH
		E1		REVISED PER ECO-14-010419	11JUL2014	JW	SH
		F		REVISED PER ECO-15-013594	25SEP2015	JW	SH

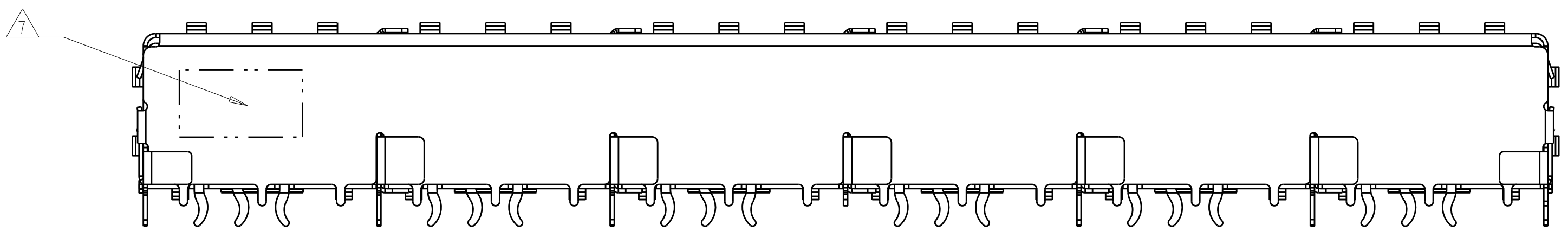
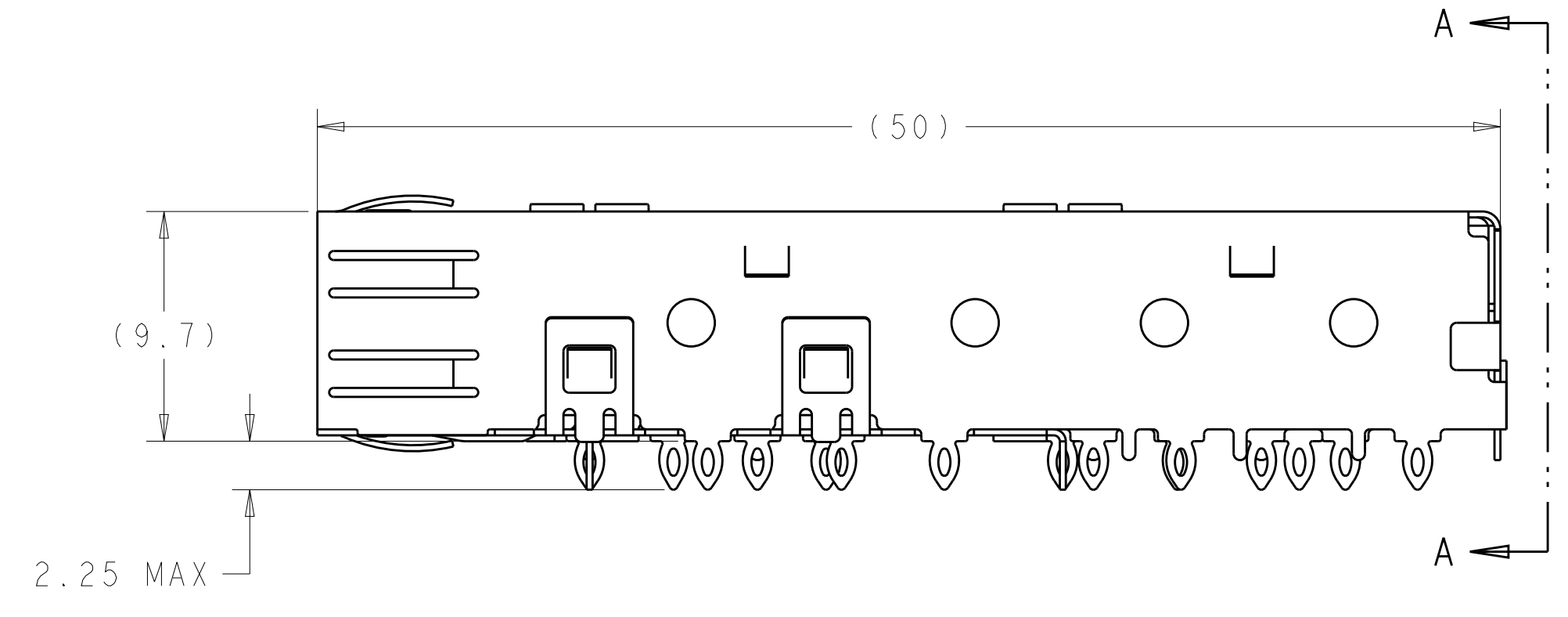
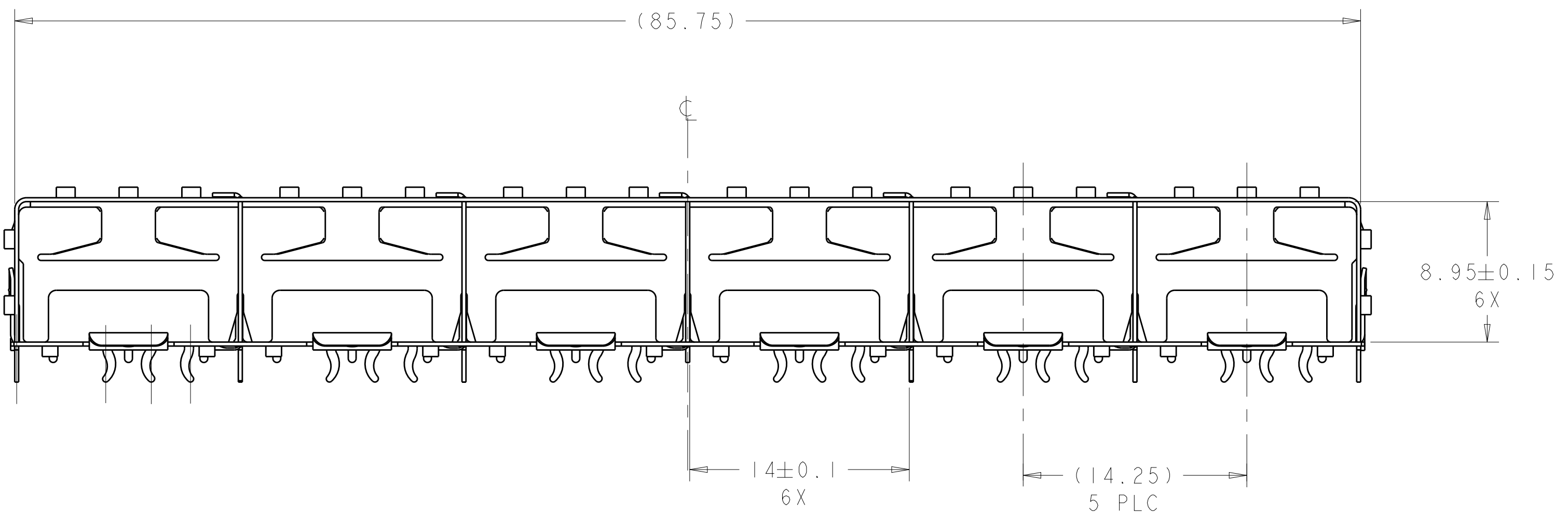


SCALE 3:1

- 1 MATERIAL: COPPER ALLOY.
- 2 TIN PLATING PER ASTM B 545, 1.25µm MINIMUM THICKNESS, ALL OVER NICKEL FLASH PER QQ-N-290. NON-PLATED EDGES ARE PERMISSIBLE.
- 3 DATUM AND BASIC DIMENSIONS ESTABLISHED BY CUSTOMER.
- 4 PADS AND VIAS CHASSIS GROUND.
- 5 REFERENCE APPLICATION SPEC 114-13120, HOLE A, FOR RECOMMENDED DRILL HOLE DIAMETER AND PLATING THICKNESSES.
- 6 COMPANY LOGO IN APPROXIMATE AREA SHOWN
- 7 DATE CODE AND PART NUMBER IN APPROXIMATE AREA SHOWN
- 8 MATERIAL: NICKEL SILVER ALLOY(NO PLATING)



1761015-18-3  
SCALE 3:1



SECTION A-A

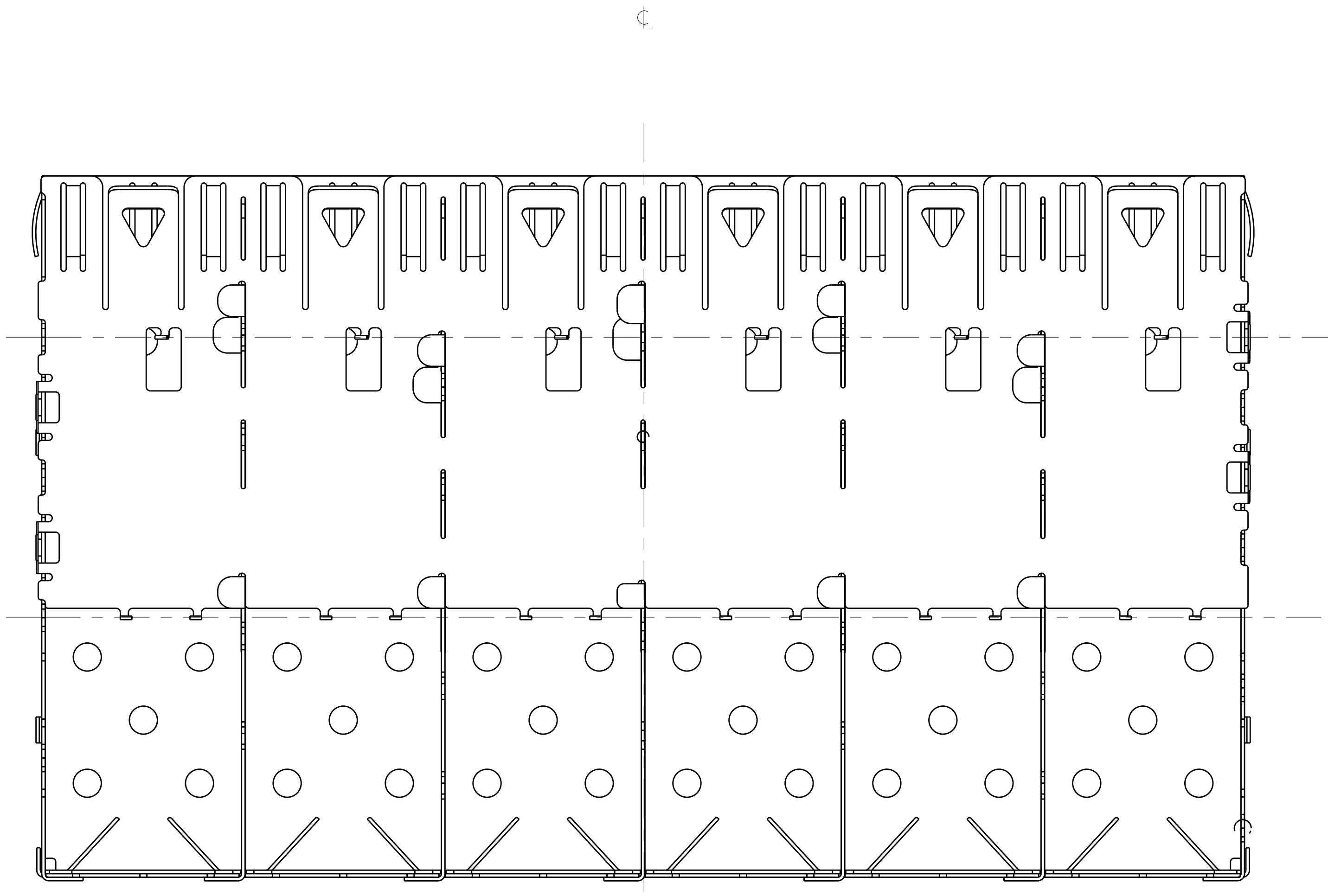
**SUPERSEDED BY:**  
1761015-3

FINISH	MATERIAL	DESCRIPTION	PART NO
NO	8	1X6 CAGE ASSEMBLY	1761015-3
		1X6 CAGE ASSEMBLY	1761015-1

THIS DRAWING IS A CONTROLLED DOCUMENT.		DWN: J. VAN SCOY 11FEB2004	TE Connectivity
DIMENSIONS: mm		CHK: M. PHILLIPS 11FEB2004	
TOLERANCES UNLESS OTHERWISE SPECIFIED:		APVD: M. PHILLIPS 11FEB2004	NAME: ASSEMBLY, CAGE, PRESS FIT, 1X6, SFP
0 PLC ±	1 PLC ±0.10	PRODUCT SPEC 108-1950	SIZE: CAGE CODE DRAWING NO RESTRICTED TO
2 PLC ±	3 PLC ±	APPLICATION SPEC 114-13120	A100779C=1761015
4 PLC ±	ANGLES ±2°	WEIGHT	SCALE 4:1 SHEET 1 OF 4 REV F
MATERIAL 1	FINISH 2	Customer Drawing	

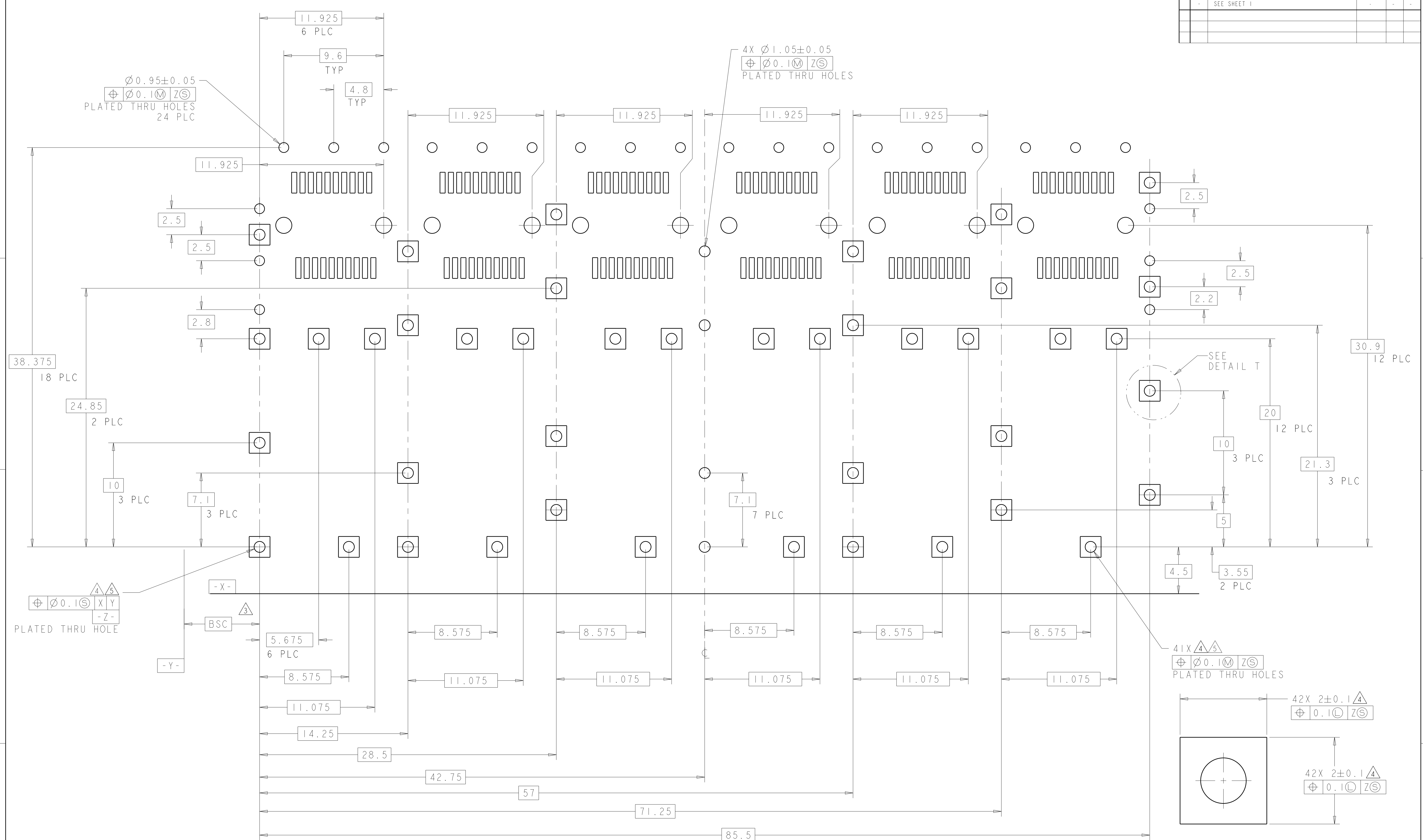
THIS DRAWING IS UNPUBLISHED. RELEASED FOR PUBLICATION 20  
COPYRIGHT 20 . ALL RIGHTS RESERVED.

LOC	DIST	REVISIONS					
GP	00	P.	LYR	DESCRIPTION	DATE	DWN	APVD
		-		SEE SHEET 1	-	-	-



THIS DRAWING IS A CONTROLLED DOCUMENT.		DWN W. VAN SCOY	1 FEB 2004	
DIMENSIONS:		CHK M. PHILLIPS	1 FEB 2004	
mm		APVD M. PHILLIPS	1 FEB 2004	
TOLERANCES UNLESS OTHERWISE SPECIFIED: 0 PLC ± 1 PLC ± 2 PLC ±0.10 3 PLC ± 4 PLC ± ANGLES ±2°		PRODUCT SPEC	108-1950	NAME ASSEMBLY, CAGE, PRESS FIT, 1X6, SFP
		APPLICATION SPEC	114-13120	RESTRICTED TO
MATERIAL	FINISH	WEIGHT	-	SIZE A100779
Customer Drawing		SCALE	4:1	SHEET 2 OF 4
		REV	F	

LOC	DIST	REVISIONS			
GP	00	REV	DATE	BY	APPV
		1	SEE SHEET 1		

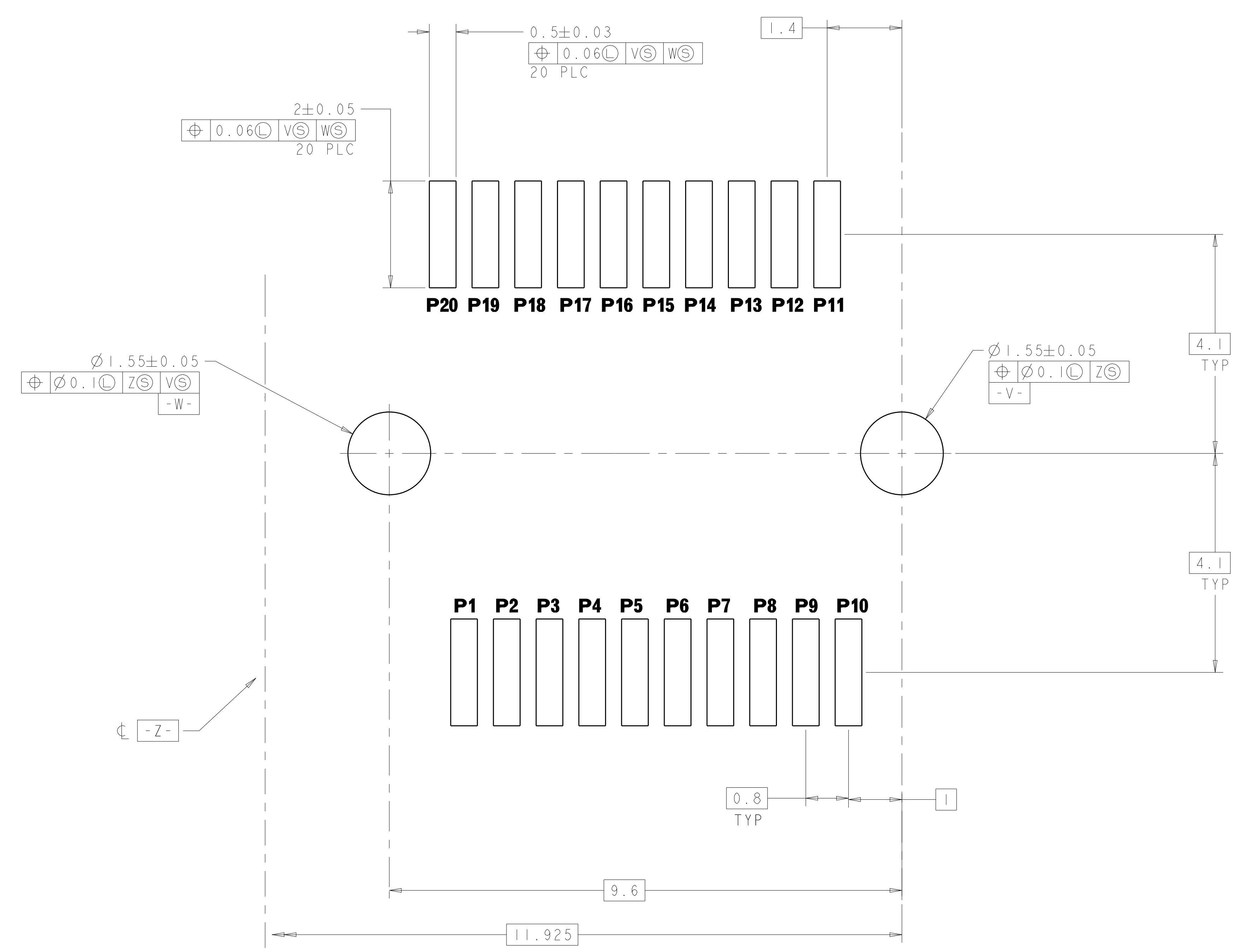


RECOMMENDED PCB CONFIGURATION  
SCALE 5:1

DETAIL T  
SCALE 25:1

THIS DRAWING IS A CONTROLLED DOCUMENT.		DWN: JH_VAN_SCIJCK 11FEB2004	 TE Connectivity
DIMENSIONS: mm		CHK: M_PHILLIPS 11FEB2004	
TOLERANCES UNLESS OTHERWISE SPECIFIED:		APVD: M_PHILLIPS 11FEB2004	NAME: ASSEMBLY, CAGE, PRESS FIT, 1X6, SFP SIZE: CAGE CODE DRAWING NO: A100779C=1761015 RESTRICTED TO:
$\varnothing$ : 0 PLC $\pm$ 1 PLC $\pm 0.10$ 2 PLC $\pm$ 3 PLC $\pm$ 4 PLC $\pm$ ANGLES: $\pm 2^\circ$		PRODUCT SPEC: 108-1950	
MATERIAL: FINISH:		APPLICATION SPEC: 114-13120	
		WEIGHT: Customer Drawing	
SCALE: 4:1			SHEET: 3 OF 4
			REV: F

LOC	DIST	REVISIONS			
P	LTN	DESCRIPTION	DATE	DWN	APVD
-	-	SEE SHEET 1	-	-	-



DETAIL U  
SCALE 20:1

THIS DRAWING IS A CONTROLLED DOCUMENT.		DWN W. VAN SCOY	11FEB2004	TE Connectivity
DIMENSIONS:		CHK M. PHILLIPS	11FEB2004	
mm	TOLERANCES UNLESS OTHERWISE SPECIFIED:	APVD M. PHILLIPS	11FEB2004	NAME
	0 PLC ± 1 PLC ± 2 PLC ±0.10 3 PLC ± 4 PLC ± ANGLES ±2°	PRODUCT SPEC	108-1950	ASSEMBLY, CAGE, PRESS FIT, 1X6, SFP
MATERIAL	FINISH	APPLICATION SPEC	114-13120	RESTRICTED TO
-	-	WEIGHT	-	SIZE CAGE CODE DRAWING NO
-	-	Customer Drawing	A100779	1761015
SCALE 4:1			SHEET 4 OF 4	REV F

单击下面可查看定价，库存，交付和生命周期等信息

[>>TE Connectivity\(泰科\)](#)