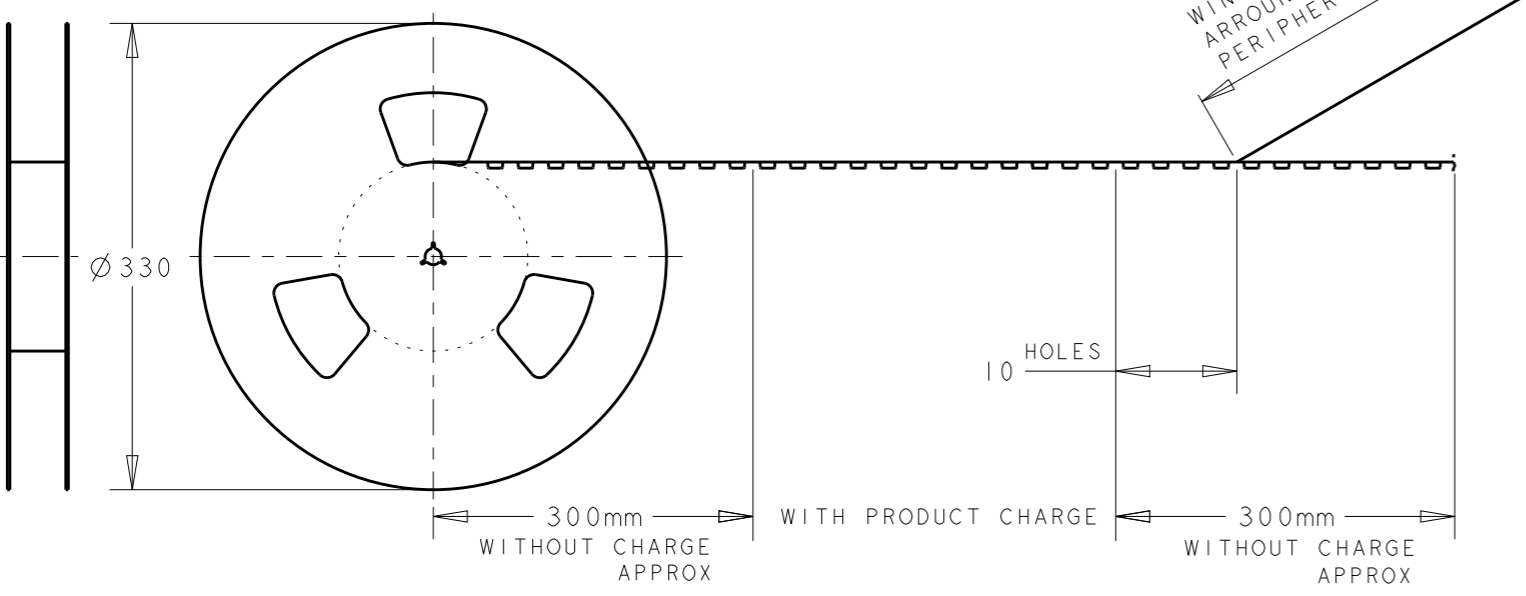
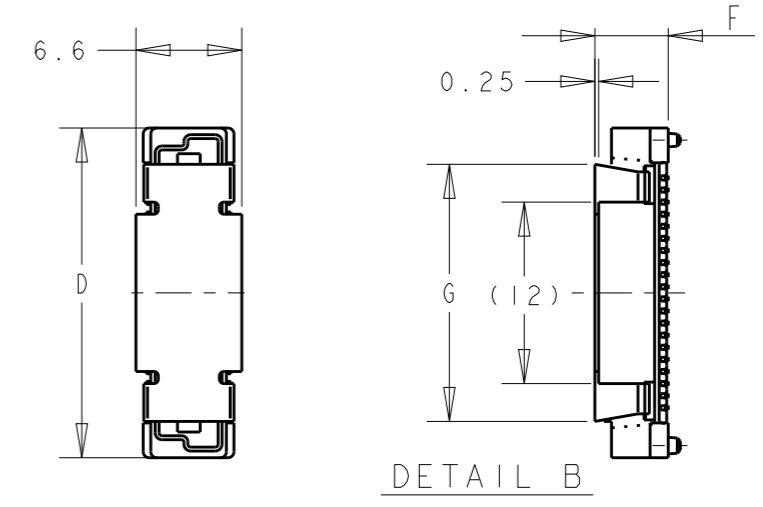
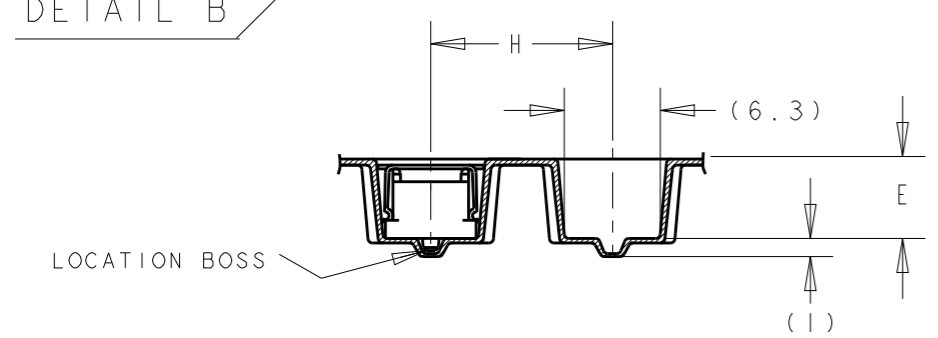
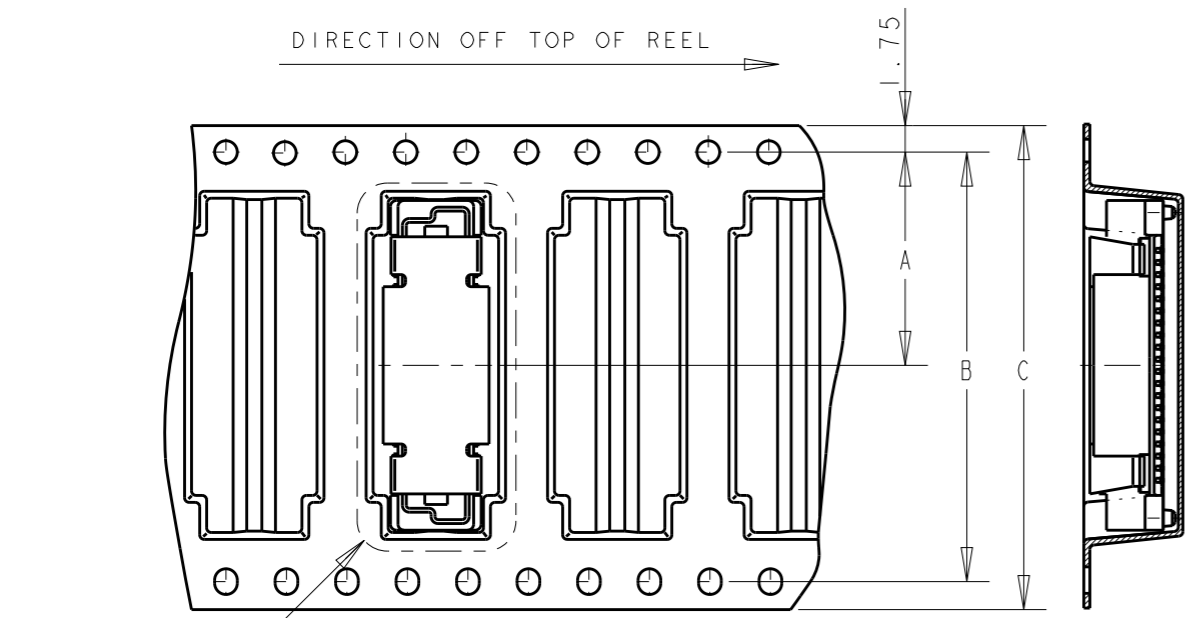


THIS DRAWING IS UNPUBLISHED. RELEASED FOR PUBLICATION 20
 © COPYRIGHT 20 BY - ALL RIGHTS RESERVED.

REVISIONS				
P	LTR	DESCRIPTION	DATE	APVD
BI		REVISED PER ECO-19-002481	18FEB19	R.L H.L



AVAILABLE	600	▲	12	▲	▲	▲	29.8	44	40.4	20.2	60	2-	▲	-1
	▲		▲				85.8	▲	▲	▲	200	1-		-0
							77.8	104	100.4	50.2	180			-9
							69.8	▲	▲	▲	160			-8
							61.8	88	84.4	42.2	140			-6
							53.8	▲	▲	▲	120			-5
	400		16				45.8	72	68.4	34.2	100			-4
	▲		▲				37.8	56	52.4	26.2	80			-3
							29.8	44	40.4	20.2	60			-2
	600	8H	12	17	7.85	8.6	21.8	32	28.4	14.2	40			6123001-1
TOOLING STATUS	POS	HEIGHT TYPE	H	G	F	E	D	C	B	A	POS	PART NO.		

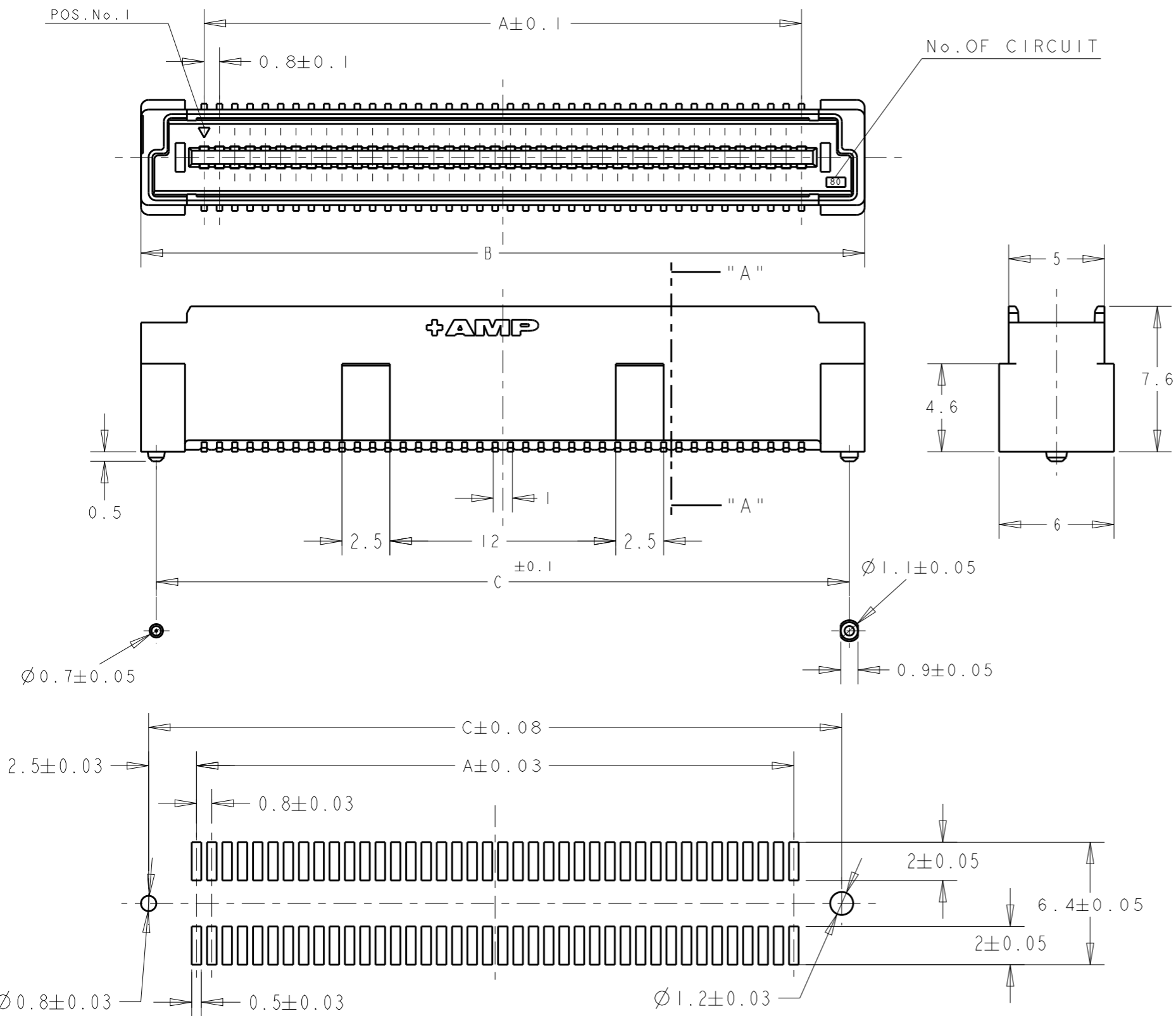
NOTE:
 5 CONNECTOR WITH BLACK HOUSING.
LOW HALOGEN

THIS DRAWING IS A CONTROLLED DOCUMENT.

DIMENSIONS: mm	TOLERANCES UNLESS OTHERWISE SPECIFIED: 0 PLC ±. 1 PLC ±0.2 2 PLC ±0.25 3 PLC ±0.30 4 PLC ±0.000J ANGLES ±3	DWN WYLEE 27OCT04	TE Connectivity
MATERIAL material_2	FINISH finish_spec_2	CHK VINCENT TAN	
		APVD ERIC ING	
		PRODUCT SPEC 108-5390	
		APPLICATION SPEC -	NAME EMBOSS ASSY FOR FH 0.8BTB CONNECTOR PLUG 8H 0.5 BOSS LENGTH (0.76um GOLD)
		WEIGHT -	SIZE A3
		CUSTOMER DRAWING	CAGE CODE 00779
			DRAWING NO C-6123001
			RESTRICTED TO
			SCALE 2:1
			SHEET 1 OF 2
			REV BI

THIS DRAWING IS UNPUBLISHED. RELEASED FOR PUBLICATION 20
 © COPYRIGHT 20 BY - ALL RIGHTS RESERVED.

REVISIONS				
P	LTR	DESCRIPTION	DATE	APVD
		SEE SHEET 1		



- NOTES:
- 1 MATERIAL: HOUSING: L.C.P. (HIGH TEMP. THERMOPLASTIC) UL 94V-0, NATURAL. CONTACT: BRASS.
 - 2 FINISH: CONTACT AREA: 0.00076 MIN GOLD ON 0.0013 MIN ALL OVER NICKEL. SOLDERING AREA: 0.002 MIN MATTE-TIN.
 - 3. POSITION SERIES: SEE TABLE.
 - 4. CONN STACK HEIGHT COMBINE OF PLUG "Y"H VS REC "X"H. STACK HEIGHT = Y + X - 5

5	C	B	A	POS.	CONN P/N
28.2	29.8	23.2	60		2-6123001-1
84.2	85.8	79.2	200		1-6123001-0
76.2	77.8	71.2	180		6123001-9
68.2	69.8	63.2	160		6123001-8
60.2	61.8	55.2	140		6123001-6
52.2	53.8	47.2	120		6123001-5
44.2	45.8	39.2	100		6123001-4
36.2	37.8	31.2	80		6123001-3
28.2	29.8	23.2	60		6123001-2
20.2	21.8	15.2	40		6123001-1
C	B	A	POS.		CONN P/N

LOW HALOGEN

THIS DRAWING IS A CONTROLLED DOCUMENT.

DWN: WYLEE 27OCT04
 CHK: VINCENT TAN
 APVD: ERIC ING
 PRODUCT SPEC: 108-5390
 APPLICATION SPEC: -
 WEIGHT: -

STE TE Connectivity

NAME: EMBOSS ASSY FOR FH 0.8BTB CONNECTOR PLUG 8H 0.5 BOSS LENGTH (0.76um GOLD)

SIZE: A3 CAGE CODE: C- DRAWING NO: 6123001 RESTRICTED TO: -

MATERIAL: material_2 FINISH: finish_spec_2

CUSTOMER DRAWING SCALE: 2:1 SHEET: 2 OF 2 REV: B1

单击下面可查看定价，库存，交付和生命周期等信息

[>>TE Connectivity\(泰科\)](#)