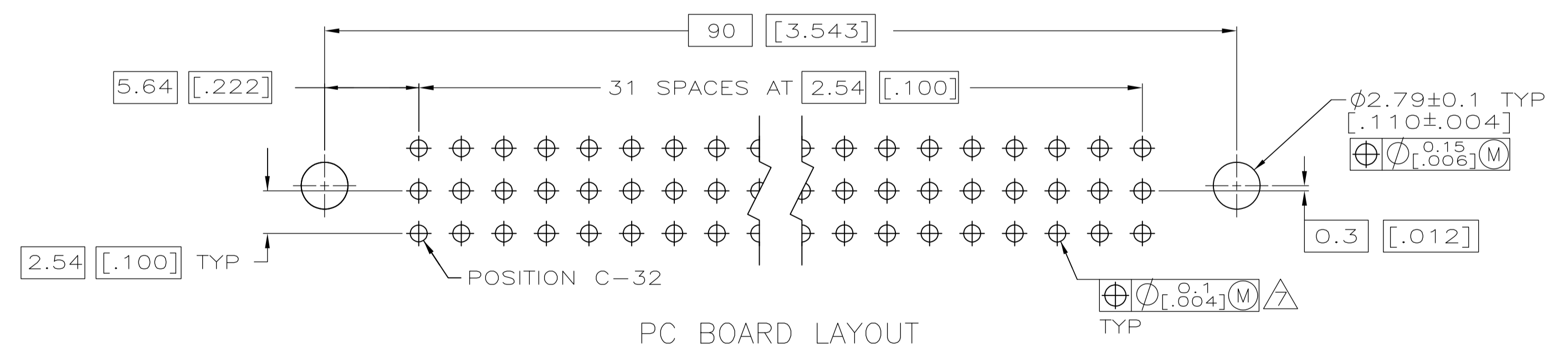
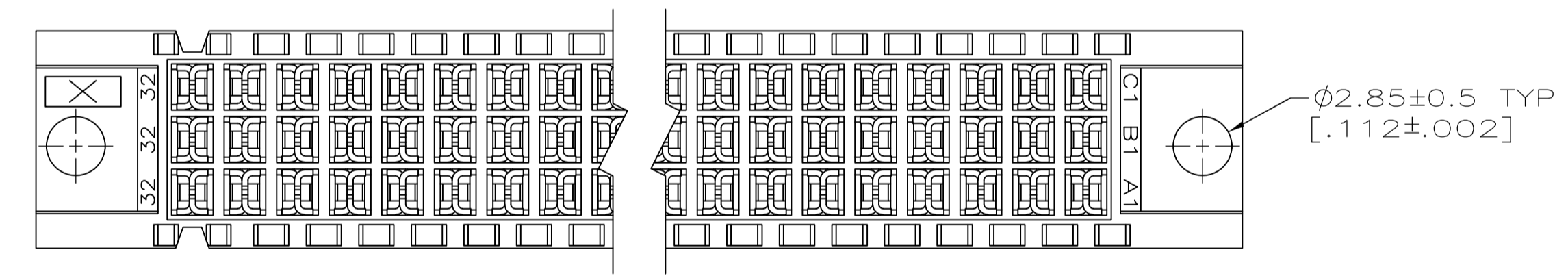
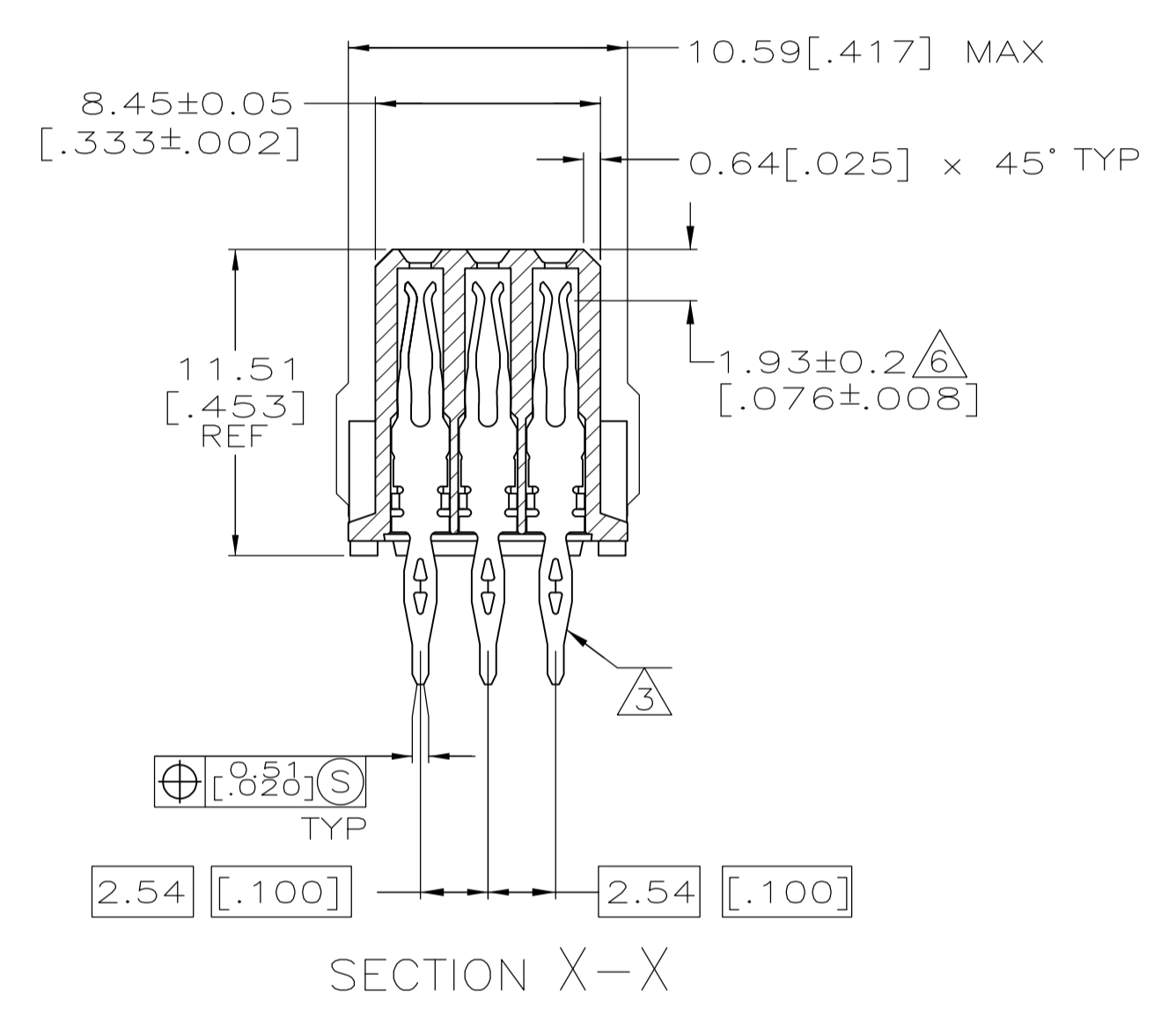
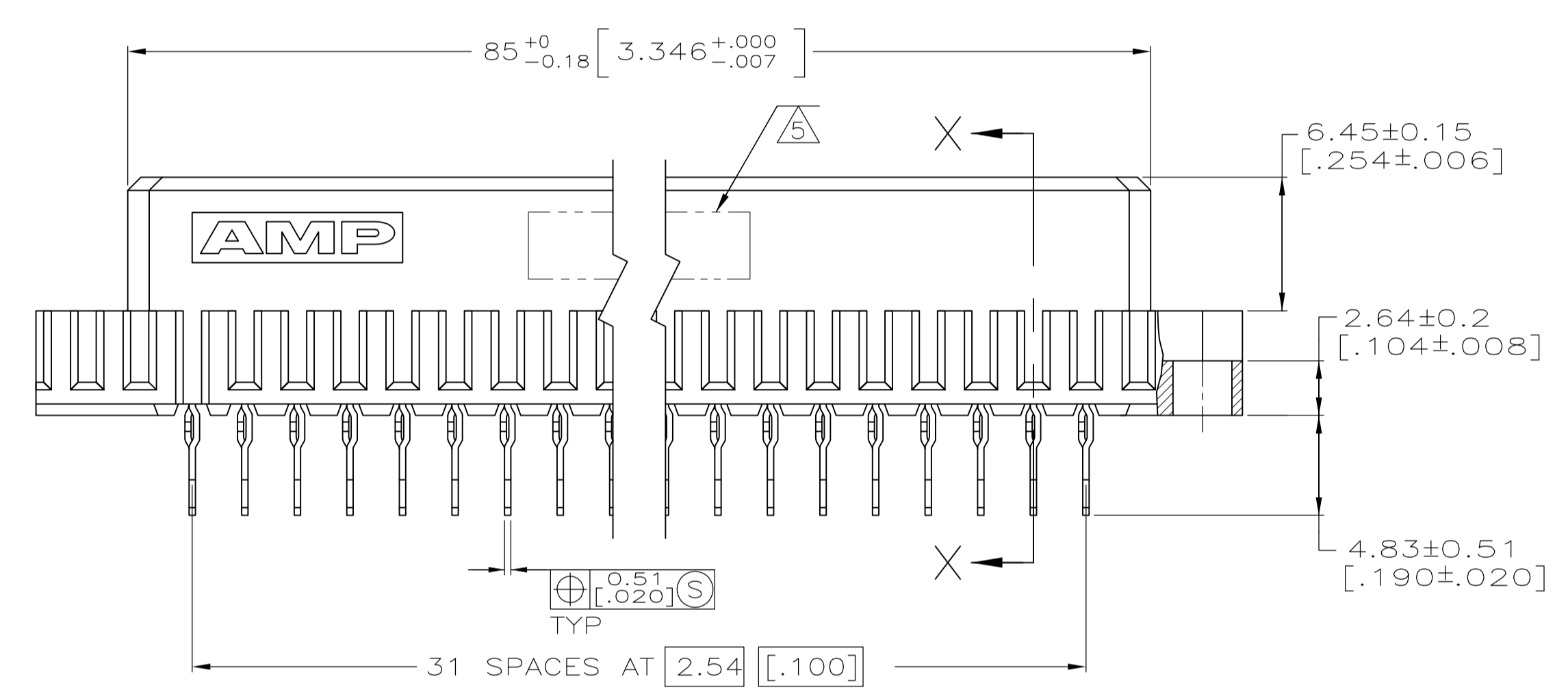
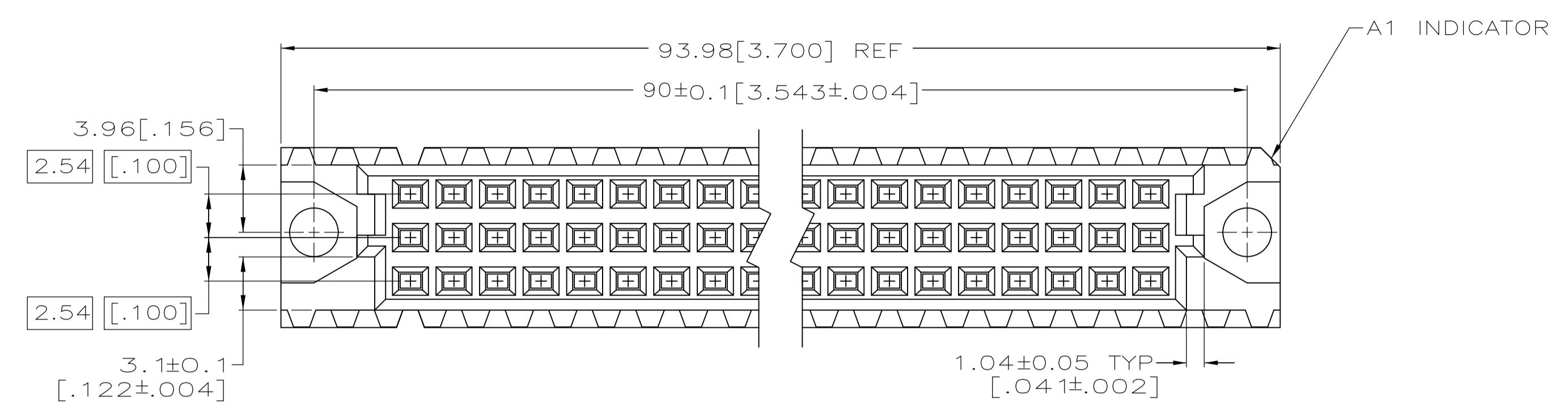


- ① HOUSING MATERIAL: GLASS-FILLED POLYMER. COLOR: GRAY.
- ② CONTACT MATERIAL: COPPER ALLOY.
- ③ CONTACT FINISH: DIN 41612 CLASS 2 IN CONTACT AREA. TIN PLATE ON POSTS.
- ④ CONTACT FINISH: DIN 41612 CLASS 3 IN CONTACT AREA. TIN PLATE ON POSTS.
- ⑤ PART NUMBER, DATE CODE IDENTIFICATION, CSA LOGO IN THIS APPROXIMATE AREA.
- ⑥ POINT OF MEASUREMENT FOR FINISH.
- ⑦ ACTION PIN POSTS REQUIRE 1.57[.062] MINIMUM THICK PC BOARD. RECOMMENDED PC BOARD HOLES ARE  $\phi 1.15 \pm 0.2$ [.0453  $\pm$  .001] DRILLED HOLE WITH 0.02-0.07[.001-.003] COPPER AND 0.008[.0003] MINIMUM TIN-LEAD PLATING. FINISHED HOLE AFTER PLATING,  $\phi 0.94-1.09$ [.037-.043].
- ⑧ CONTACT AREA FINISH: 0.00076mm [.000030] MIN GOLD OVER 0.00127 [.000050] MIN NICKEL. TAIL FINISH: 0.0025 [.000100] MIN MATTE TIN OVER 0.00127 [.000050] MIN NICKEL.
- ⑨ CONTACT AREA FINISH: 0.00127 [.000050] MIN GOLD OVER 0.00127 [.000050] MIN NICKEL. TAIL FINISH: 0.0025 [.000100] MIN MATTE TIN OVER 0.00127 [.000050] MIN NICKEL.



FINISH	POSITIONS LOADED	C	B	A	NO. OF LOADED POSITIONS	ASSY PART NUMBER
④	1 THRU 32	X	X	X	96	5535032-9
⑧	1 THRU 32	X	X	X	96	5535032-6
⑤	1 THRU 32	X	X	X	96	5535032-5
③	1 THRU 32	X	X	X	96	5535032-4
⑨	1 THRU 32	X	X	X	96	5535032-1

THIS DRAWING IS A CONTROLLED DOCUMENT. DIMENSIONS: mm [INCHES]. TOLERANCES UNLESS OTHERWISE SPECIFIED: 0 PLC  $\pm$  -; 1 PLC  $\pm$  -; 2 PLC  $\pm$  0.13[.005]; 3 PLC  $\pm$  -; 4 PLC  $\pm$  -; ANGLES  $\pm$  -.

DIN J. POLIGNONE 25MAY05  
CHK A. SHARPE 25MAY05  
APVD A. SHARPE 25MAY05

STE TE Connectivity  
NAME ASSEMBLY, RECEPTACLE, EUROCARD, TYPE C, LEAD-FREE, 96 POSITION, 4.83[.190] TOOLLESS, PRESS-FIT  
APPLICATION SPEC  
SIZE CAGE CODE DRAWING NO RESTRICTED TO  
A1 00779 C=5535032  
WEIGHT  
CUSTOMER DRAWING SCALE 4:1 SHEET 1 OF 1 REV T

单击下面可查看定价，库存，交付和生命周期等信息

[>>TE Connectivity\(泰科\)](#)