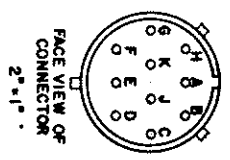
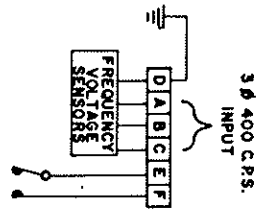
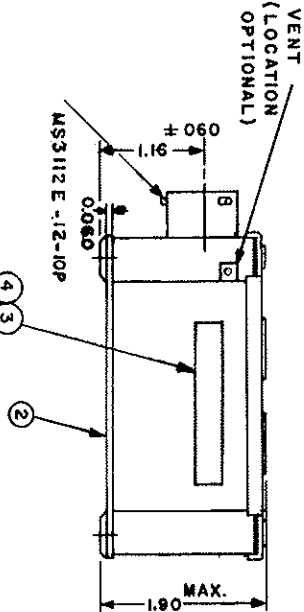
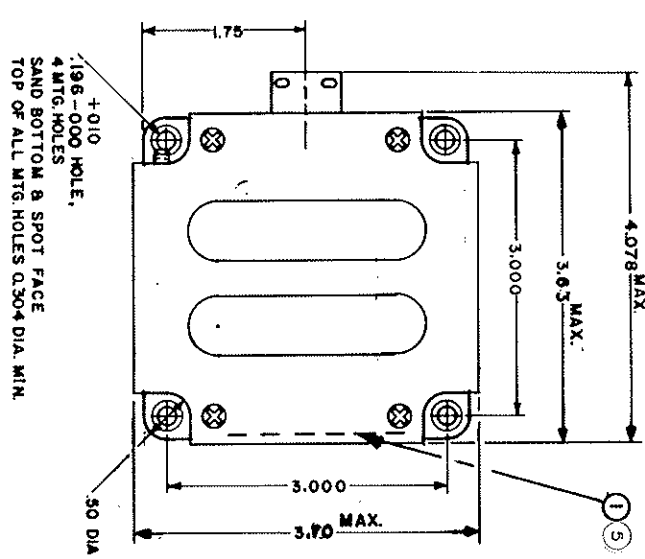


FAA / PMA

B-188MA-1

REV. #	DESCRIPTION	DATE	APPROVED
6	CONNECTOR WAS PTOZE-12-10P	3-18-98	[Signature]
5	NOTE UPDATED	12-11-97	[Signature]
4	ADDED ITEMS 3 & 4		
3	ITEM 5 ADDED	00-03-07	[Signature]



WIRING DIAGRAM - 22919-1

- 1 CONSTRUCT: ALUMINUM CASE, GASKET SEALED, VENTED
- 2 NOMINAL INPUT VOLTS: 115 V L-N 400 CPS - 3 Ø 4 WIRE
- 2.2 NO DAMAGE RESULTS WITH INPUT CONDITIONS PER MIL-E-24021A (WEP) PAR. 3.2.1
- 2.3 DIELECTRIC STRENGTH: LEAKAGE CURRENT WILL NOT EXCEED 0.001 AMPS WHEN UNIT IS SUBJECTED TO TEST OF PAR 4.6.2 OF MIL-E-24021A
- 3 ENVIRONMENT:
  - 3.1 TEMPERATURE: -54°C TO +71°C OPERATING
  - 3.2 ACCELERATION: 9g DC-FIRGORIZED
  - 3.3 ALTITUDE: 0-40,000 FEET
  - 3.4 SHOCK: 10G 30 ± 1 ½
  - 3.5 VIBRATION: 5-15.5 CPS ± 0.15g, 15.5-54 CPS 0.01 INCH DA 54-500 CPS ± 1.5g
  - 3.6 NOISE: DASP, 115 db
  - 3.7 ATTITUDE: UNIT IS OPERATIONAL IN ANY ATTITUDE
- 4 OPERATION: CONTACTS WILL REMAIN AS SHOWN (OFF CONDITION) UNTIL INPUT POWER IS ANYWHERE WITHIN THE "ON" ZONE. CONTACTS WILL REVERT TO OFF CONDITION WHENEVER INPUT VOLTAGE AND/OR FREQUENCY IS ABOVE THE HIGH SIDE OR BELOW THE LOW SIDE "OFF" LIMITS FOR TIME INTERVALS EXCEEDING THE TRANSIENT PERIOD

- 5.0 LIMITS
  - 5.1 "ON" ZONE
  - 5.1.1 "ON" ZONE VOLTAGE LIMITS 100 TO 120 VOLTS RMS ALL PHASES
  - 5.1.2 "ON" ZONE FREQUENCY LIMITS 380 TO 420 CPS
  - 5.2 "OFF" LIMITS
    - 5.2.1.1 HIGH SIDE VOLTAGE "OFF" LIMITS 131 ± 5 VOLTS 3 Ø (HIGHEST OF 3 Ø)
    - 5.2.1.2 HIGH SIDE FREQUENCY "OFF" LIMITS 425 ± 5 CPS
    - 5.2.2.4 LOW SIDE FREQUENCY "OFF" LIMITS 375 ± 5 CPS
    - 5.2.3 VOLTAGE TRANSIENT LIMITS
    - 5.2.3.1 HIGH SIDE - ABOVE LIMIT 2 BUT BELOW LIMIT 1 OF FIG. 2 MIL-STD-704, 3Ø (HIGHEST OF 3 Ø)
    - 5.2.3.2 LOW SIDE - BELOW LIMIT 3 FIG. 2 MIL-STD-704
    - 5.2.4 OVER AND UNDER FREQUENCY TIME DELAY 3 ± 1 SEC
    - 6.0 OUTPUT RATING SPST 3 AMP IND. 28 V DC/115 V 400 CPS
    - 7.0 WEIGHT 12 OZ MAX
    - 8.0 ADDITIONAL REQUIREMENTS
    - 8.1 UNIT IS DUST TIGHT
    - 8.2 FIRE: MATERIALS DO NOT SUPPORT COMBUSTION, ARE SELF EXTINGUISHING AND FREE OF AFTER GLOW
    - 8.3 SMOKE: UNIT WILL NOT PRODUCE ANAESTHETIC OR TOXIC FUMES OR SMOKE UNDER NORMAL OPERATION OR FAILURE
    - 8.4 ELECTROMAGNETIC INTERFERENCE: MEETS REQUIREMENTS OF DAC 7914697
    - 8.5 BONDING: MEETS REQUIREMENTS OF DAC 7916997
    - 9.0 THIS UNIT MEETS THE REQUIREMENTS OF MIL-E-24021A EXCEPT AS MODIFIED HEREON

QTY	RECD	DESCRIPTION	PART OR IDENTIFYING NO	ITEM NO
1		OVERLAY	39529-038	5
1		PLATE - FAA/PMA	39529-024	4
1		RELAY ASSEMBLY - PRIMARY	58400-097	3
1		PLATE - NAME PER DAC 7912000 TYPE I	23492-D10	2
1		NOMENCLATURE OR DESCRIPTION	23211-D01	1

PARTS LIST  
**HARTMAN ELECTRICAL MANUFACTURING**  
 WAREHOUSING

DATE: 27-6-98 BY: DEH  
 DESIGNED FOR: TOLERANCES UNLESS OTHERWISE SPECIFIED .00 ± .03 .000 ± .010 MATERIAL

MONITOR - EXTERNAL POWER

APPROVED	TE.S.	CODE IDENT NO	74063	SIZE	C	B-188MA-1
APPROVED	[Signature]	SCALE	1"=1"	WEIGHT		SHEET

单击下面可查看定价，库存，交付和生命周期等信息

[>>TE Connectivity\(泰科\)](#)