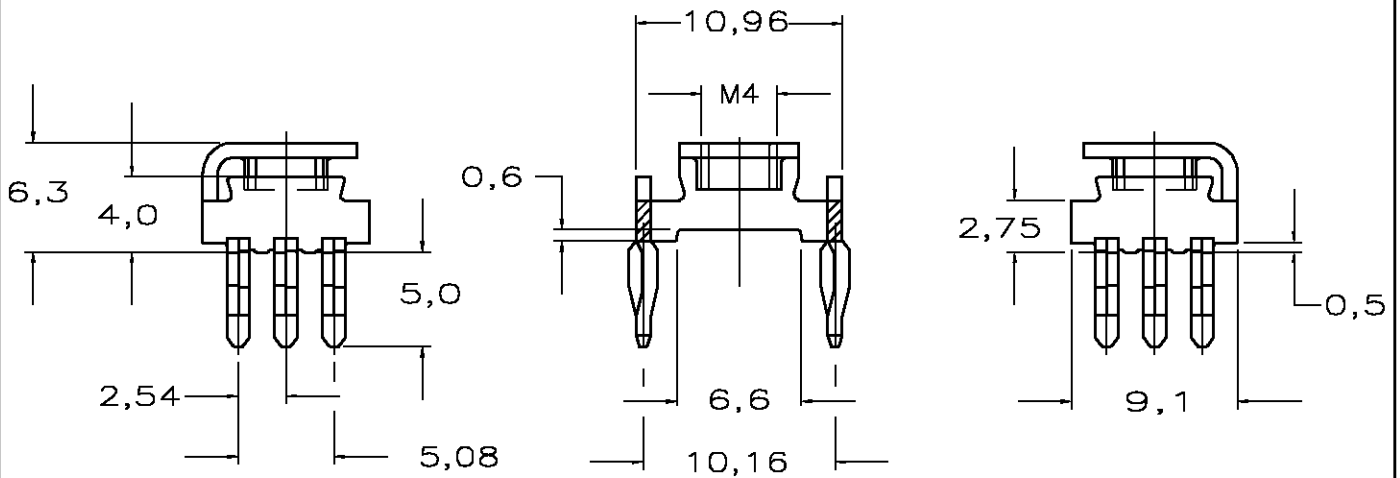
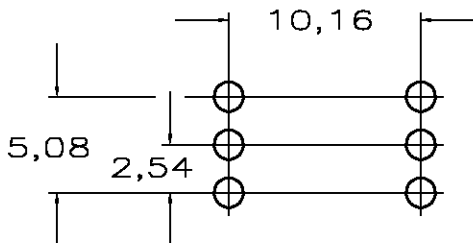


LOC	DIST	REVISIONS					
H	—	P	LTR	DESCRIPTION	DATE	DWN	APVD
		C		ECR-05-006211	13JUL05	CJF	JB



NOTES :

- 1 PLATING: Sn PLATE TO ASTM B 545 AND NI UNDERCOAT TO ASTM B 571 ALL OVER
- 2 MATERIAL THICKNESS 0,8 mm .



RECOMMENDED BOARD LAYOUT

THIS DRAWING IS UNPUBLISHED.

ALL RIGHTS RESERVED.

© COPYRIGHT BY TYCO ELECTRONICS CORPORATION.

DIMENSIONS: MM		DWN	13FEB90	MATERIAL	PHOSPHORBRONZE	216907-1
TOLERANCES UNLESS OTHERWISE SPECIFIED:		CHK	03APR90	FINISH	MATERIAL	PART NUMBER
0 PLC ± -		APVD	03APR90			
1 PLC ± -		<b>tyco Electronics</b> Tyco Electronics Corporation s-HertogenBosch, Nederland,				
2 PLC ± -		PRODUCT SPEC	108-19059	NAME POWER TERMINAL WITH ACTION PIN (1,6-3,2 P.C.BOARD THK'S.)		
3 PLC ± -		APPLICATION SPEC	—	SIZE	CAGE CODE	DRAWING NO
4 PLC ± -		WEIGHT	—	A4	00779	C-216907
ANGLES ± -		CUSTOMER DRAWING				RESTRICTED TO
		SCALE 1:1				SHEET 1 OF 1
						REV C

单击下面可查看定价，库存，交付和生命周期等信息

[>>TE Connectivity\(泰科\)](#)