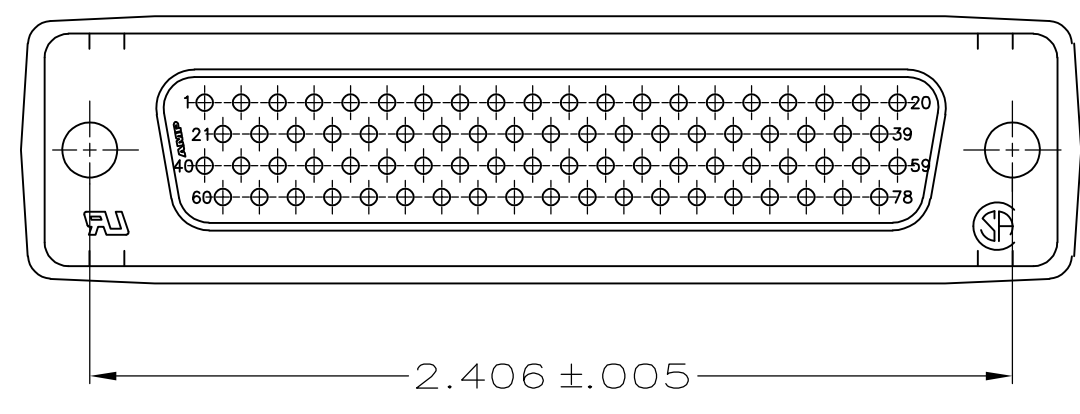
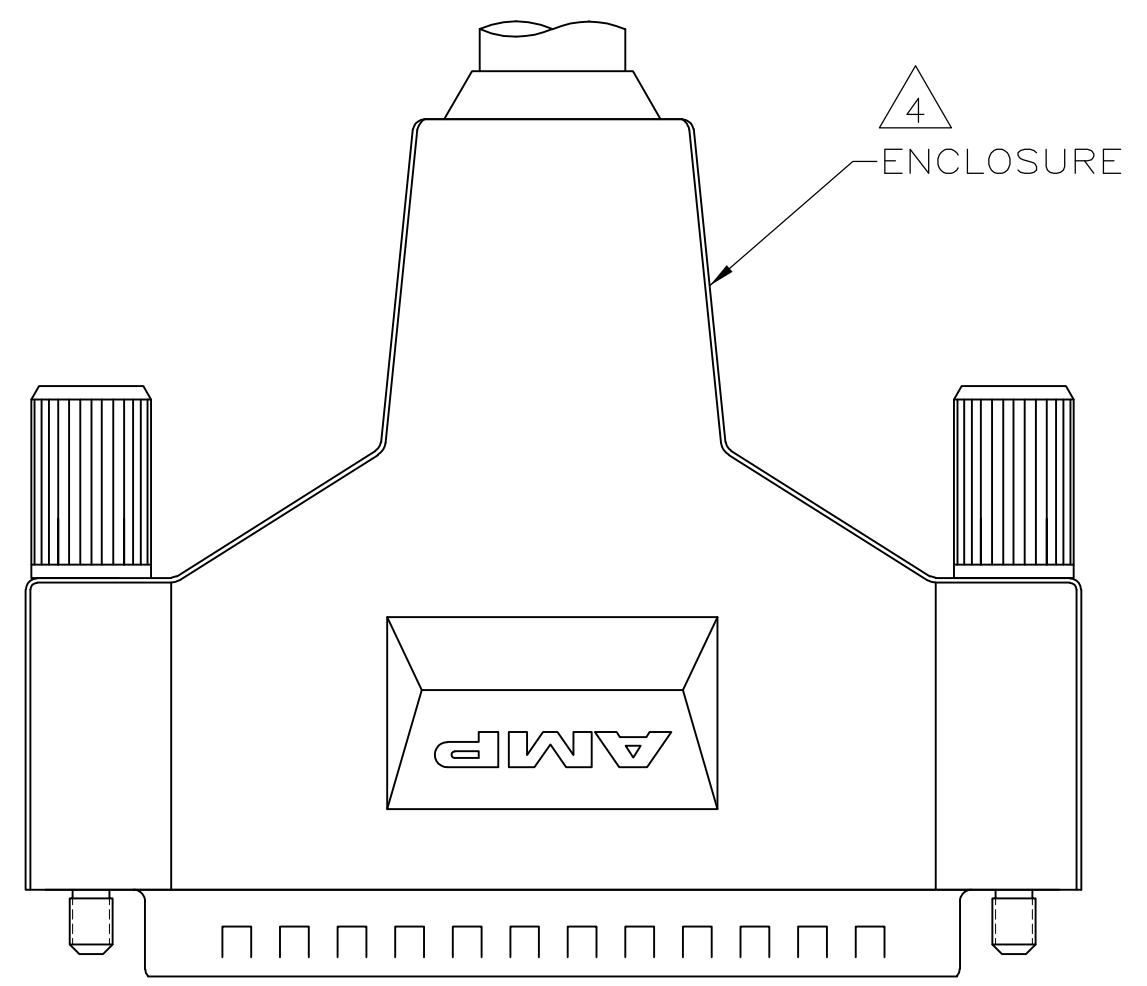
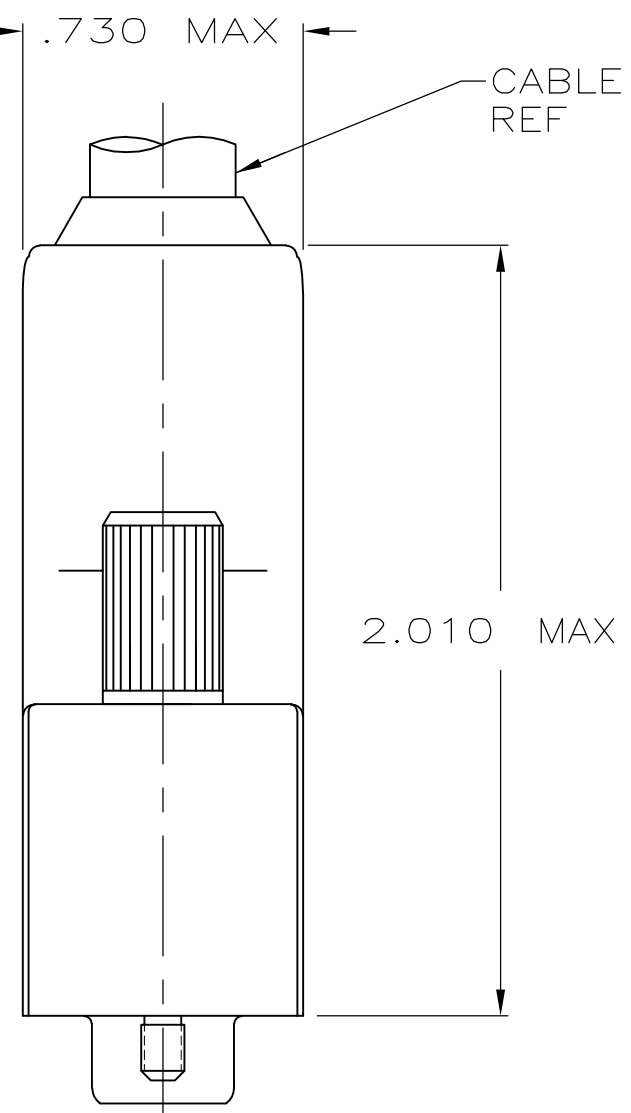
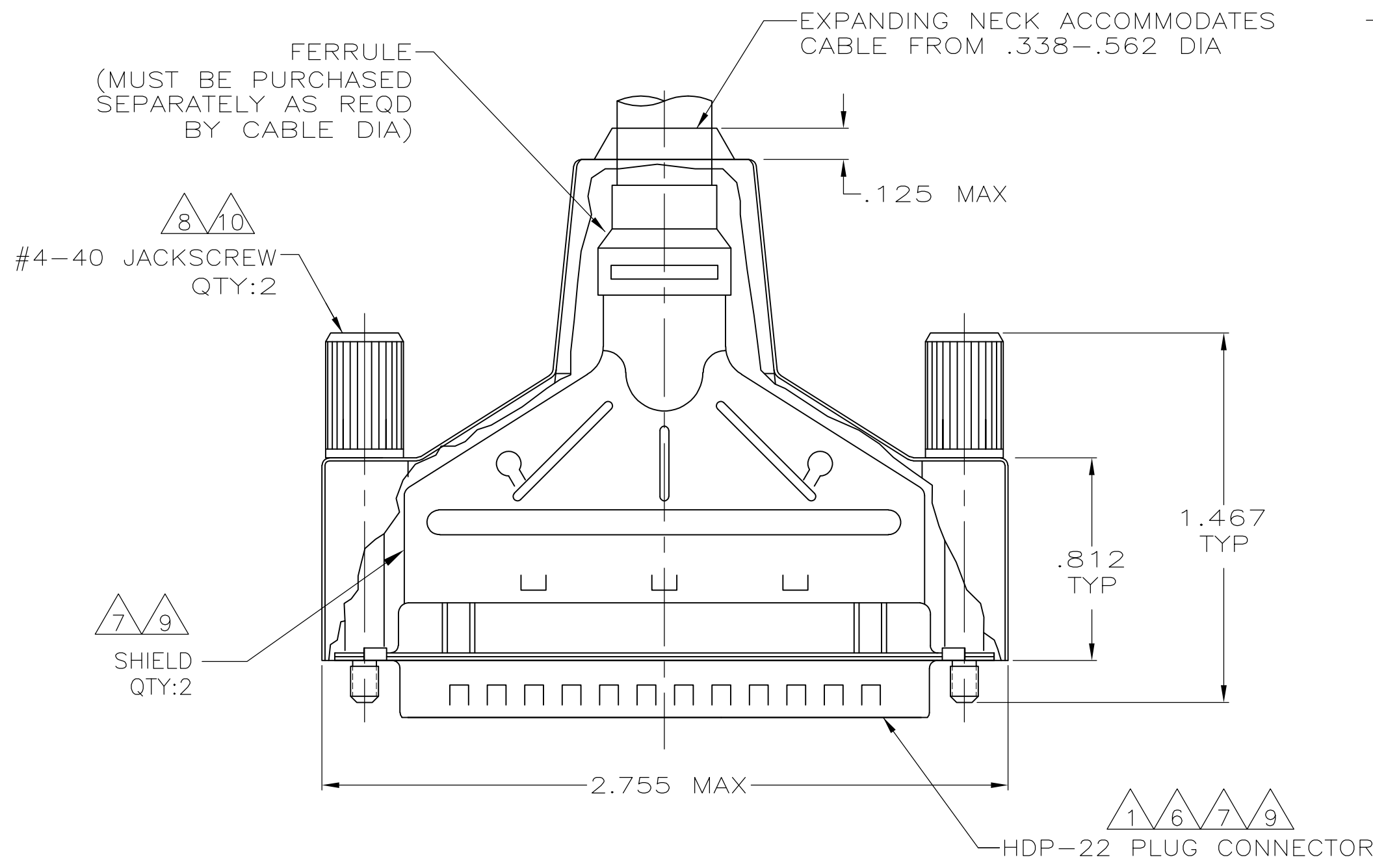


THIS DRAWING IS UNPUBLISHED. RELEASED FOR PUBLICATION
 © COPYRIGHT - By - ALL RIGHTS RESERVED.

REVISIONS				
P	LTR	DESCRIPTION	DATE	APVD
E		REVISED PER ECO-17-002903	20MAR2017	AP DG



- 1 PLUG ACCEPTS SIZE 22 DF PIN CONTACTS PURCHASED SEPARATELY.
- 2 ALL PARTS SHIPPED UNASSEMBLED.
- 3 COMPONENTS INDIVIDUALLY BULK PACKAGED.
- 4 ELASTOMER, STYRENE POLYOLEFIN, OR PVC, BLACK.
- 5 NOTE DELETED
- 6 FLAME RETARDANT, 94V-0 RATED, GLASS FILLED, NYLON, BLACK.
- 7 CARBON STEEL PER ASTM A109.
- 8 CARBON STEEL, C1022.
- 9 .000200 MIN TIN PLATE OVER .000100 MIN COPPER UNDERPLATE.
- 10 BLACK ZINC FLAKE COATING.

3	W/ LOGOS	5748477-1
PACKAGING	REMARKS	PART NUMBER

THIS DRAWING IS A CONTROLLED DOCUMENT.		DWN 12-21-04 L. VARELA - DOCK5		
DIMENSIONS: INCHES		CHK 12-21-04 J. GERACE		
TOLERANCES UNLESS OTHERWISE SPECIFIED:		APVD 12-21-04 M. WALMSLEY	NAME	
0 PLC ± - 1 PLC ± - 2 PLC ± - 3 PLC ± .020 4 PLC ± - ANGLES ± - FINISH		PRODUCT SPEC 108-40005 & 108-40030	SHIELDING ENCLOSURE KIT, PLUG, SIZE 5, 78 POSITION, AMPLIMITE HDP-22	
MATERIAL		APPLICATION SPEC 114-40030	SIZE	RESTRICTED TO
4 6 7 8		WEIGHT 0.000000	CAGE CODE A2 00779	—
9 10		CUSTOMER DRAWING	DRAWING NO C=5748477	SCALE 2:1
			SHEET 1 of 1	REV E

单击下面可查看定价，库存，交付和生命周期等信息

[>>TE Connectivity\(泰科\)](#)