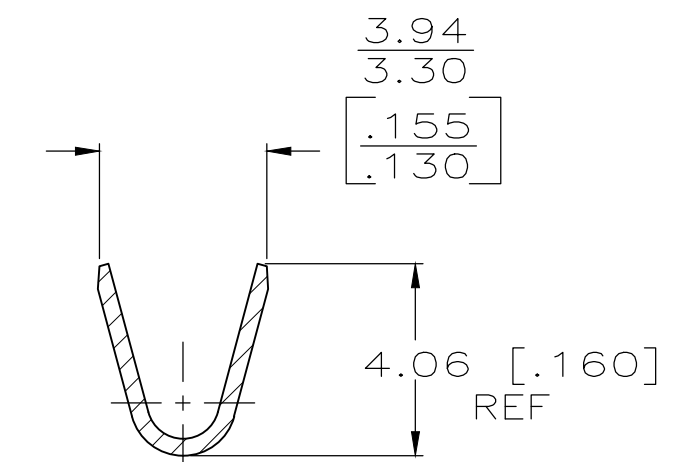
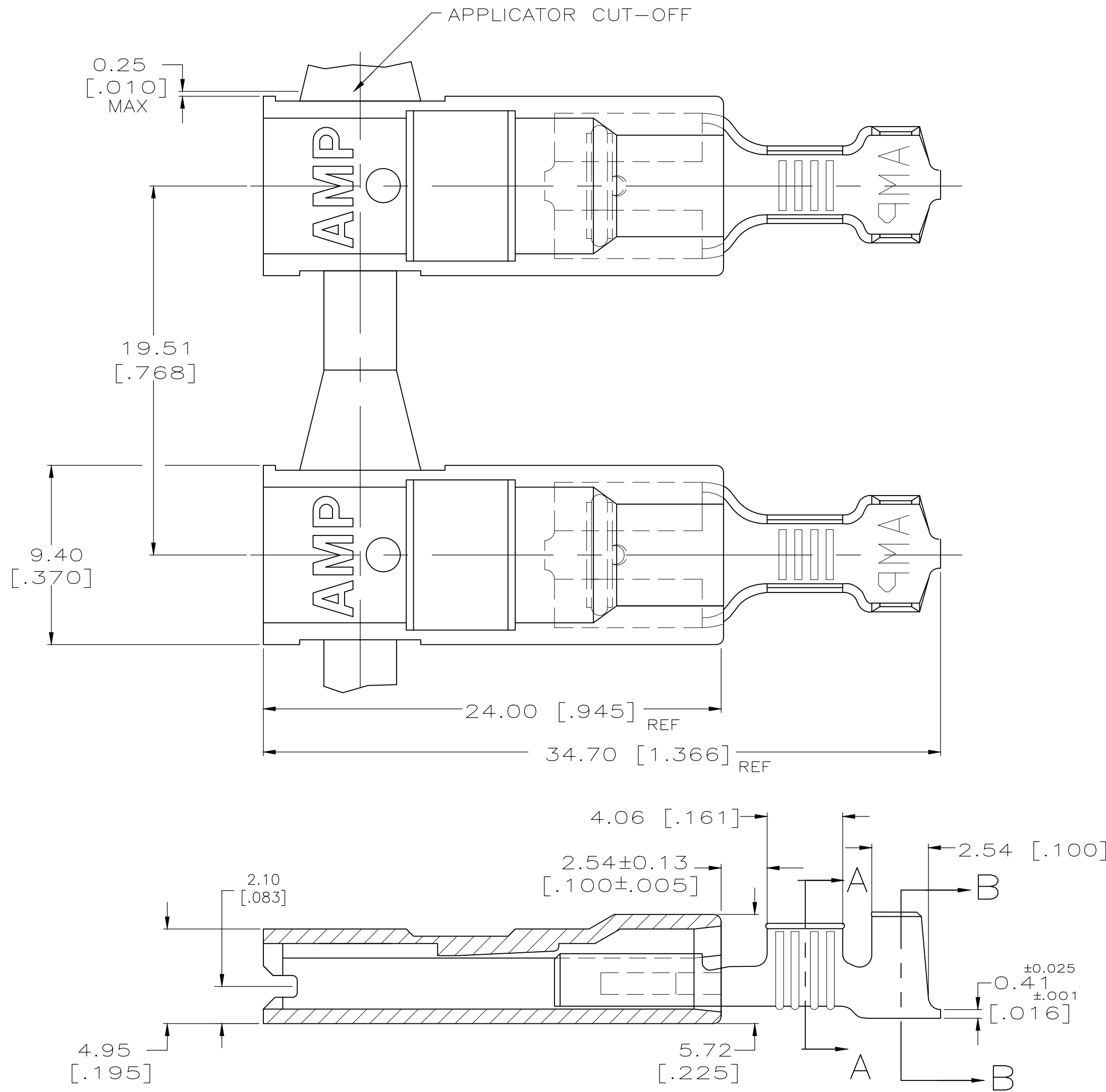


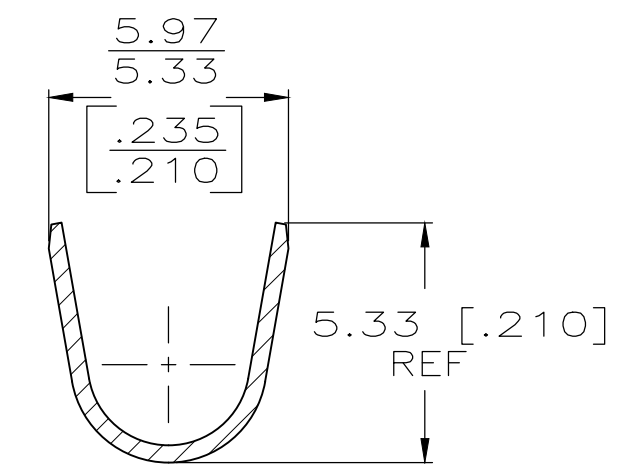
THIS DRAWING IS UNPUBLISHED. RELEASED FOR PUBLICATION
 © COPYRIGHT - By - ALL RIGHTS RESERVED.

REVISIONS					
P	LTR	DESCRIPTION	DATE	DWN	APVD
B1		REVISED PER ECR-18-012712	16AUG2018	BDA	DS

- BUDGET LOW-INSERTION FASTON TERMINALS, BASE P/N 1742971, ARE USED IN THIS PRODUCT.
- WIRE SIZE 0.8-2.0mm [18-14] AWG
- INSULATION RANGE IS 2.79-4.32[.110-.170] DIA.
- MATING TAB THK IS 0.813±0.025[.032±.001].
- OFFERED FOR CONSIDERATION IN APPLICATIONS REQUIRING "NON-DRIP" HOUSING MATERIAL.
- OBSELETE PARTS



SECTION A-A



SECTION B-B

PLAIN	66 NYLON V0 NATURAL	1-1969529-1
TIN PLATE	VO, NYLON 66, NATURAL (WHITE)	△ 1969529-2
PLAIN		1969529-1
TERMINAL	HOUSING	PART NO.

SUPERCEDED BY 1-1969529-1

THIS DRAWING IS A CONTROLLED DOCUMENT.		DWN JR RUTH 08MAY12	TE Connectivity Ltd.	
DIMENSIONS: mm [INCHES]		CHK RAY LANDON 08MAY12	ASSEMBLY, ULTRA-POD, RECEPTACLE, 6.35 [.250] SERIES	
TOLERANCES UNLESS OTHERWISE SPECIFIED:		APVD RAY LANDON 08MAY12	NAME	
0 PLC ± -		PRODUCT SPEC 108-1285	SIZE CAGE CODE DRAWING NO RESTRICTED TO	
1 PLC ± -		APPLICATION SPEC 114-2124	A2 00779 C=1969529	
2 PLC ± -		WEIGHT	SCALE 5:1 SHEET 1 OF 1 REV B1	
3 PLC ± 0.25 [.010]		CUSTOMER DRAWING		
4 PLC ± -				
ANGLES ± -				
FINISH SEE TABLE				

单击下面可查看定价，库存，交付和生命周期等信息

[>>TE Connectivity\(泰科\)](#)