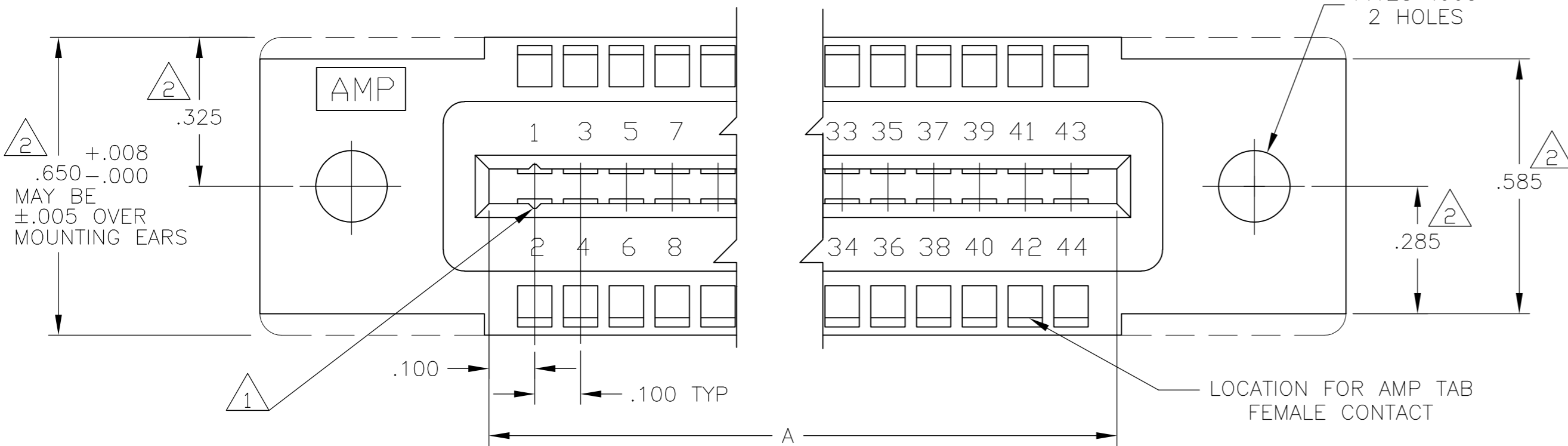
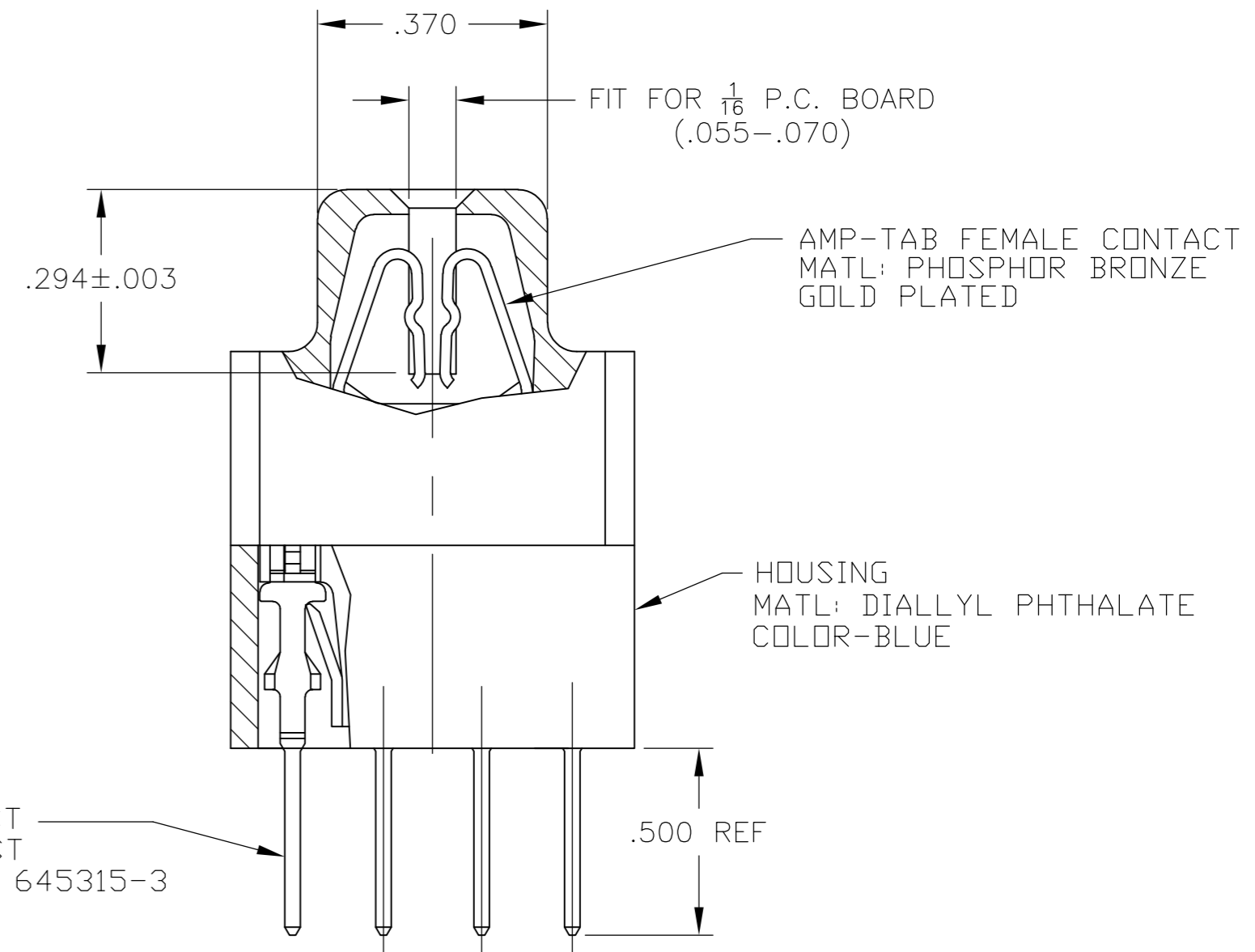
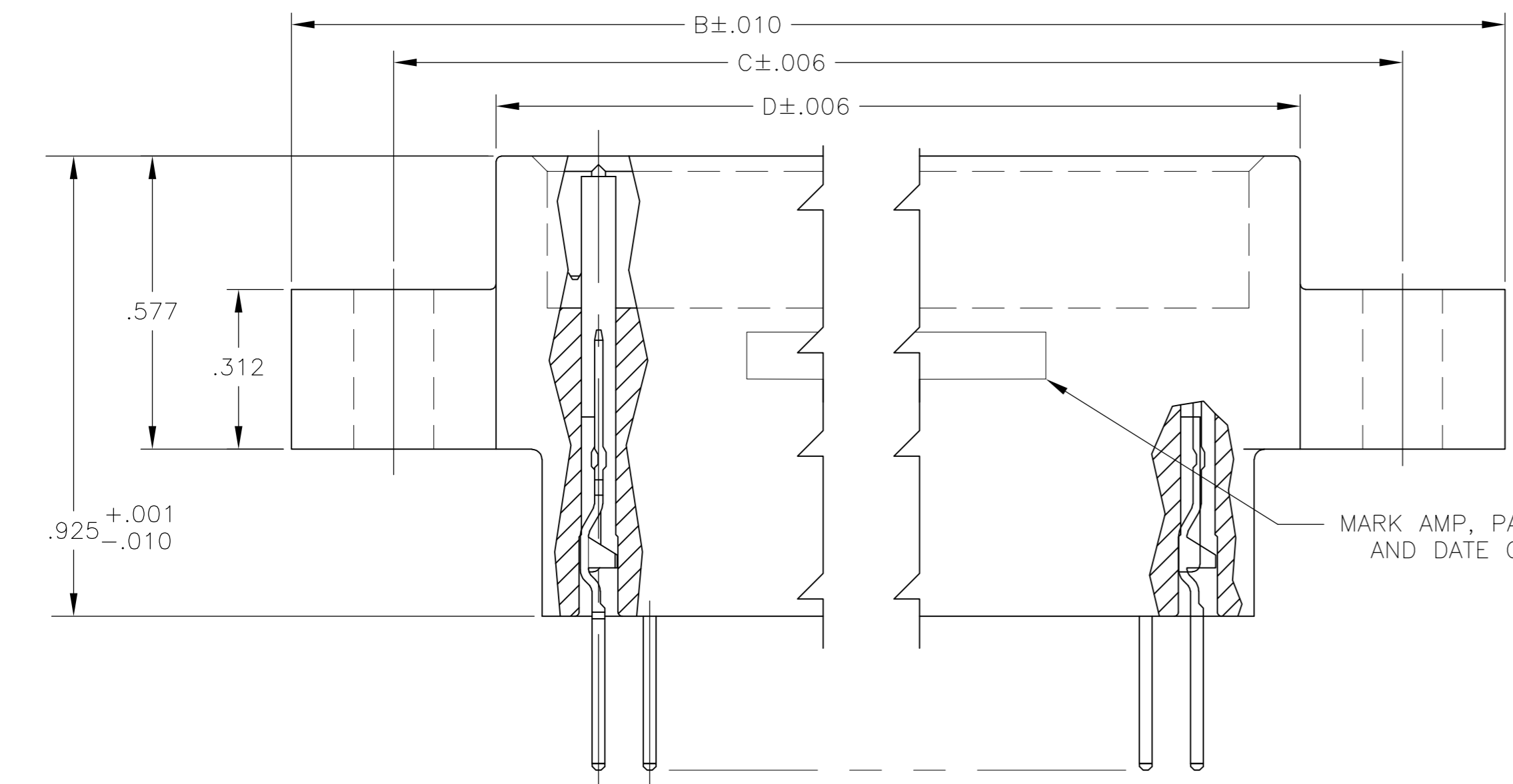


THIS DRAWING IS UNPUBLISHED. RELEASED FOR PUBLICATION
 © COPYRIGHT BY TYCO ELECTRONICS CORPORATION. ALL INTERNATIONAL RIGHTS RESERVED.

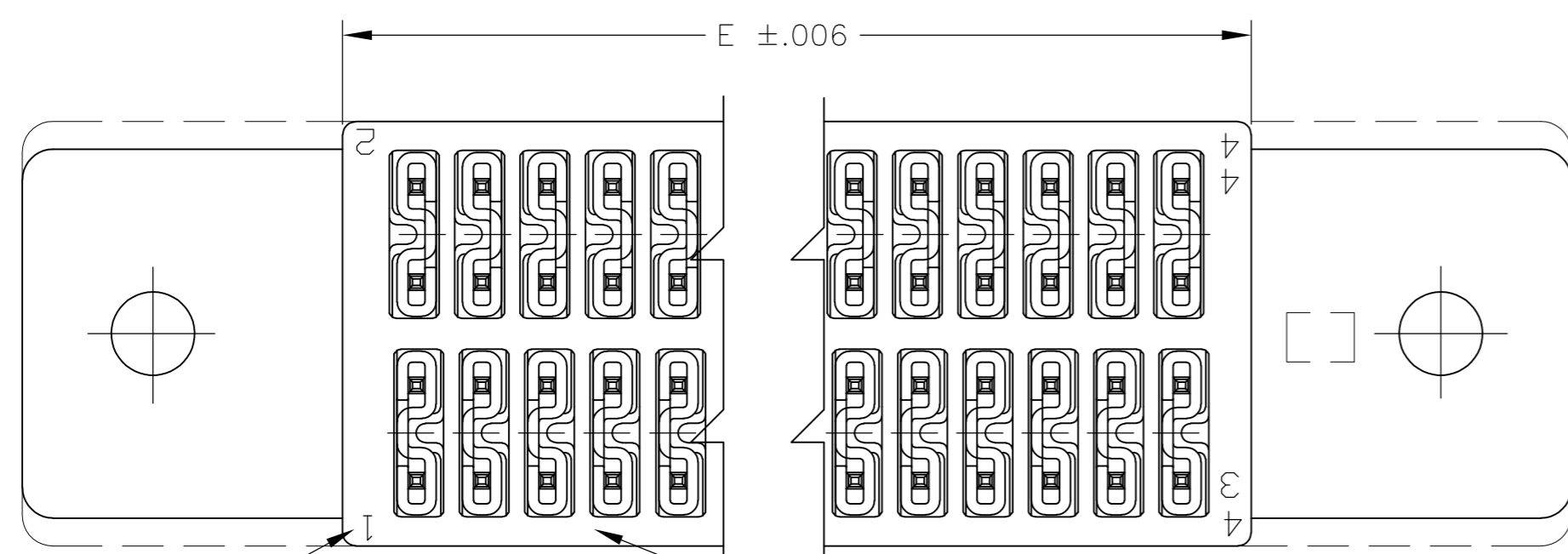
LOC		DIST		REVISIONS			
P	LTR	DESCRIPTION	DATE	DWN	APVD		
M		ECO-08-029262	26JUN0909	PY	DE		



- 1 GROOVES FOR "ON CONTACT KEYING" AMP'S OPTION DEPENDING ON METHOD OF MANUFACTURE. FOR "ON CONTACT" KEYING, USE KEYING PLUG 583487-1 (MUST BE ORDERED SEPARATELY)
- 2 MOUNTING EAR CONFIGURATION AMP'S OPTION DEPENDING ON METHOD OF MANUFACTURE



AMP TAB CONTACT
 .025 SQUARE POST
 LOOSE PIECE NO 645315-3



CIRCUIT CAVITY IDENT
 WHITE PER MIL-C-21097 B

COLOR CODED:
 FIRST 5 POSITIONS WHITE
 NEXT 5 POSITIONS PLAIN
 THIRD 5 POSITIONS WHITE, ETC

OBsolete

2.320	2.500	2.900	3.300	2.300	22	645224-4
1.920	2.100	2.500	2.900	1.900	18	645224-3
1.620	1.800	2.200	2.600	1.600	15	645224-2
1.120	1.300	1.700	2.100	1.100	10	645224-1
DIM E	DIM D	DIM C	DIM B	DIM A	POSN	PART NO.

THIS DRAWING IS A CONTROLLED DOCUMENT.

DWN	P. YEAGER	26JUN2009	 Tyco Electronics Corporation Harrisburg, PA 17105-3608			
CHK	D. EABY	26JUN09				
APVD	D. EABY	26JUN09				
PRODUCT SPEC	NAME					
APPLICATION SPEC			AMP TAB CONNECTOR ASSY .100 CENTERS, QUAD			
MATERIAL	SEE CALLOUTS	WEIGHT	SIZE	CAGE CODE	DRAWING NO	RESTRICTED TO
SEE CALLOUTS	SEE CALLOUTS	-	A2	00779	C=645224	-
CUSTOMER DRAWING			SCALE	SHEET	REV	
			4:1	1 of 1	M	

单击下面可查看定价，库存，交付和生命周期等信息

[>>TE Connectivity\(泰科\)](#)