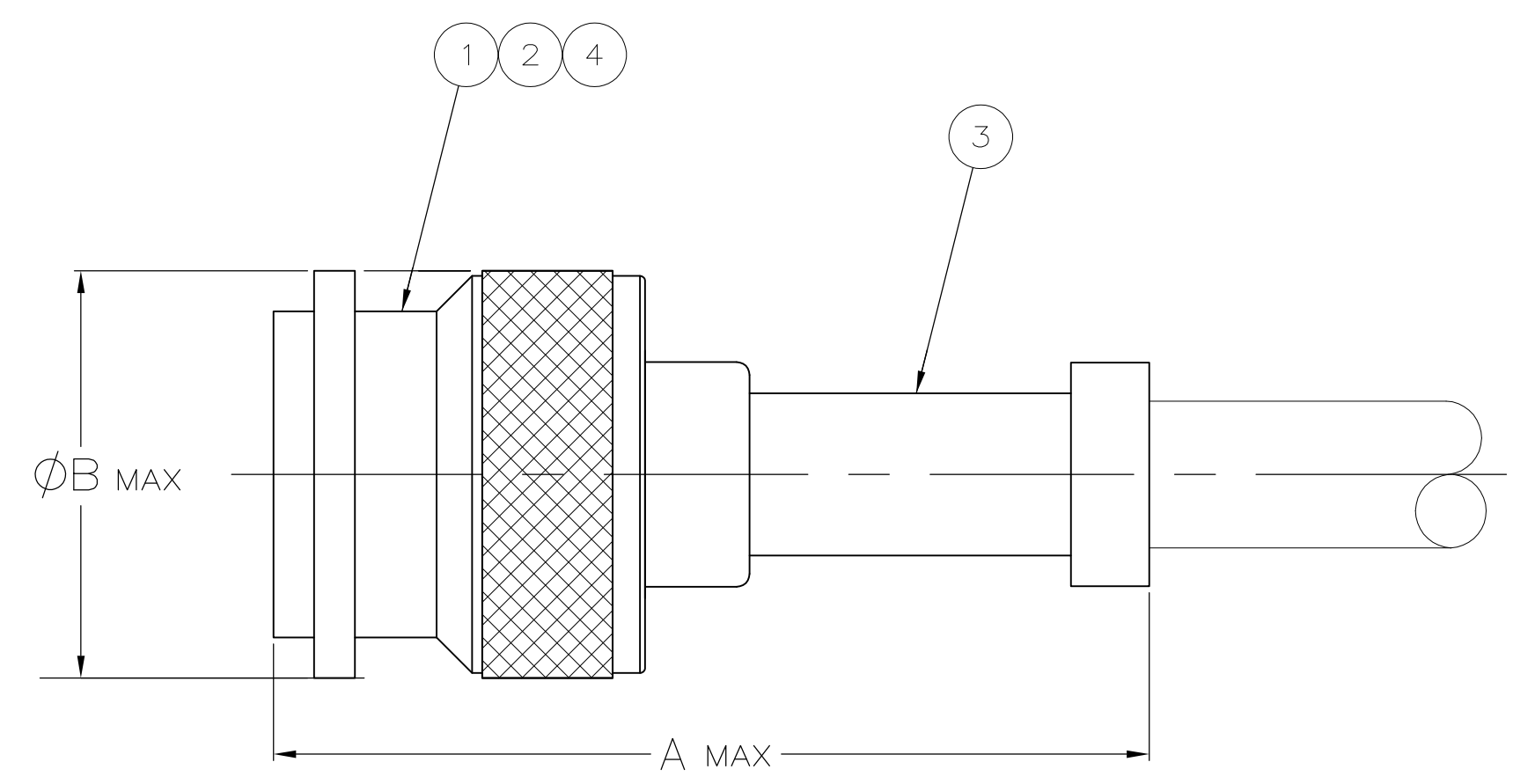
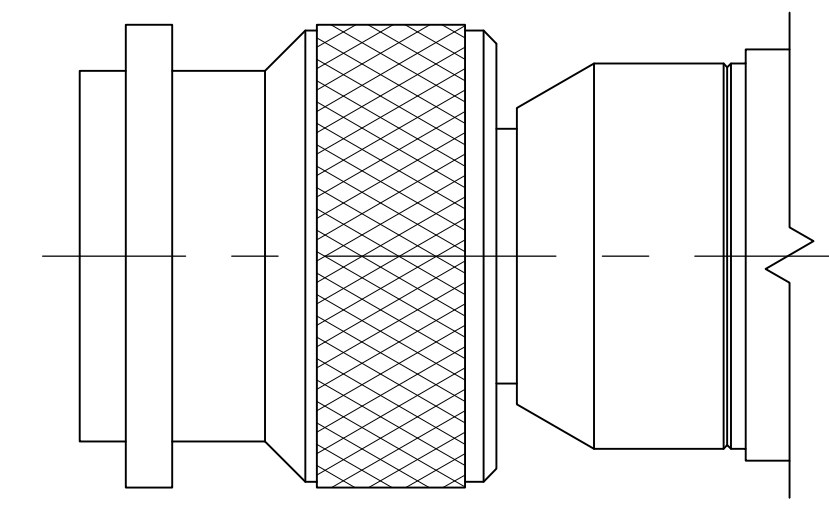


LOC		DIST		REVISIONS			
REV	BY	DATE	DESCRIPTION	DATE	OWN	APVD	
V		7-31-13	REV PER ECO 13-010224		CT	WM	

- ① 00779 M39012/26B0016 AMP 225550-1 YY WW
- ② 00779 M39012/26B0007 AMP 225550-3 YY WW
- 3. USE INSTRUCTION SHEET 2299-1
- ④ SEE SEPERATE RESTRICTED DRAWING FOR THIS PART NUMBER



VIEW X



VIEW Y
SAME AS VIEW X
EXCEPT AS SHOWN

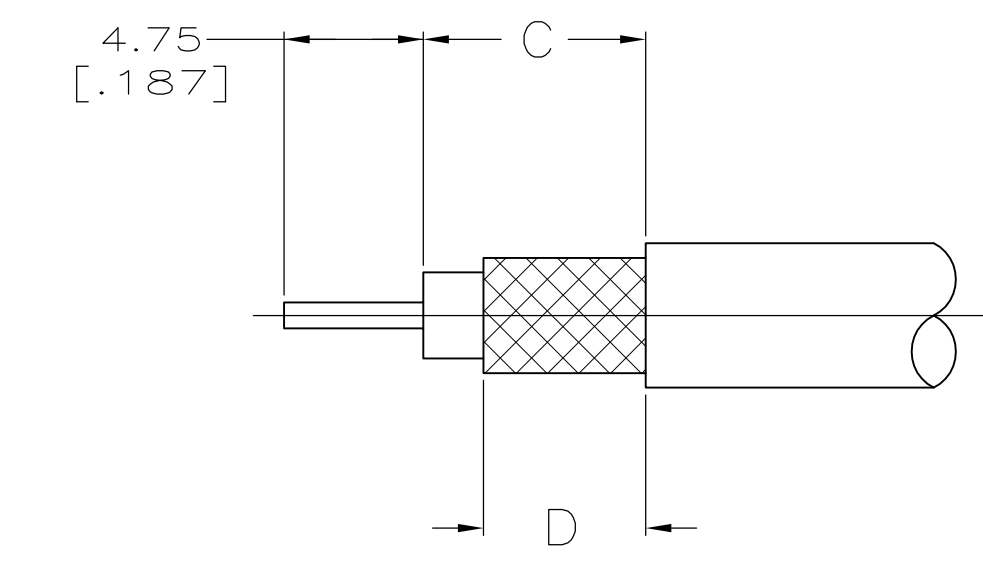


FIG 1

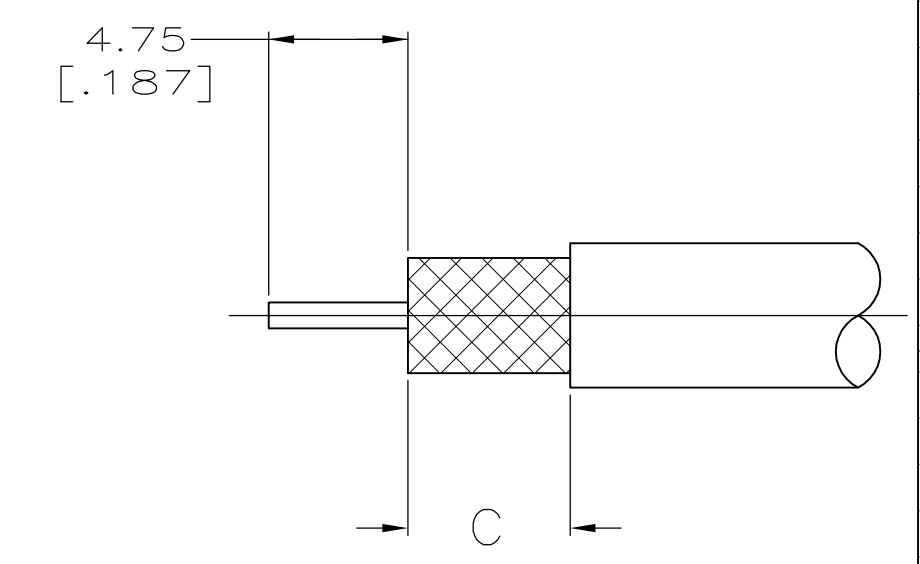


FIG 2

RECOMMENDED STRIP LENGTH

OBSELETE	FIG	STAMPING	CRIMP TOOL	D	C	B	A	④ GASKET QTY=1	③ FERRULE QTY=1	② CONTACT QTY=1	① PLUG ASSY QTY=1	VIEW	PART NUMBER
OBSELETE	2	7-225550-7 AMP	220015-1	-	-	-	-	-	-	-	-	-	7-225550-8
SUPERSEDED BY 225550-6	1	7-225550-6 AMP	220045-2	8.71 [.343]	10.31 [.406]	16.26 [.640]	34.93 [1.375]	225592-2	1-331987-0	225526-6	225593-2	X	7-225550-7
OBSELETE	2	7-225550-5 AMP	220015-1	-	-	-	-	-	-	-	-	-	7-225550-6
OBSELETE	1	7-225550-3 AMP	220045-3	5.56 [.219]	7.14 [.281]	16.26 [.640]	34.93 [1.375]	225592-3	225560-3	225467-4	1663000-3	X	7-225550-5
SUPERSEDED BY 225550-2	1	7-225550-2 AMP	220045-2	8.71 [.343]	10.31 [.406]	16.26 [.640]	34.93 [1.375]	225592-1	225560-2	225467-2	1663000-1	X	7-225550-3
OBSELETE	1	1-225550-9 AMP	220045-2	8.71 [.343]	10.31 [.406]	16.26 [.640]	34.93 [1.375]	225592-1	1-225560-4	1-225467-0	1663000-1	X	1-225550-9
OBSELETE	1	1-225550-8 AMP	220015-3	9.53 [.375]	12.70 [.500]	16.26 [.640]	51.59 [2.031]	225908-1	9-225612-0	225596-2	225593-3	X	1-225550-8
OBSELETE	1	1-225550-7 AMP	220015-3	9.53 [.375]	12.70 [.500]	16.26 [.640]	51.97 [2.046]	225908-1	225612-1	225596-2	225593-3	X	1-225550-7
	2	1-225550-3 AMP	220015-1	-	12.70 [.500]	16.26 [.640]	50.67 [1.995]	332022	9-225490-1	225526-2	225593-2	Y	1-225550-3
	2	1-225550-2 AMP	220015-1	-	12.70 [.500]	16.26 [.640]	50.80 [2.000]	332022	9-331987-3	225526-2	225593-2	Y	1-225550-2
	2	225550-8 AMP	220015-1	-	12.70 [.500]	16.26 [.640]	50.80 [2.000]	332022	9-331987-3	225596-2	225593-2	X	225550-8
SUPERSEDED BY 225550-7	1	225550-7 AMP	220015-1	9.53 [.375]	12.70 [.500]	16.26 [.640]	50.80 [2.000]	332022	1-331987-3	225596-2	225593-2	Y	225550-7
	1	00779 M39012/26B0006 AMP YY WW	220045-2	8.71 [.343]	10.31 [.406]	16.26 [.640]	34.93 [1.375]	225592-2	9-225560-4	1-225467-3	1663000-1	X	225550-6
OBSELETE	1	2	220045-3	5.56 [.219]	7.14 [.281]	16.26 [.640]	34.93 [1.375]	225592-3	225560-3	1-225467-2	1663000-3	X	225550-3
	1	00779 M39012/26B0005 AMP YY WW	220045-2	8.71 [.343]	10.31 [.406]	16.26 [.640]	34.93 [1.375]	225592-1	9-225560-5	1-225467-1	1663000-1	X	225550-2
	1	1	220045-2	8.71 [.343]	10.31 [.406]	16.26 [.640]	34.93 [1.375]	225592-2	9-225560-4	1-225467-1	1663000-1	X	225550-1

THIS DRAWING IS A CONTROLLED DOCUMENT.

DIMENSIONS: mm [INCHES]
 TOLERANCES UNLESS OTHERWISE SPECIFIED:
 0 PLC ± -
 1 PLC ± -
 2 PLC ± 0.41 [016]
 3 PLC ± -
 4 PLC ± -
 ANGLES ± -

MATERIAL: - FINISH: -
 WEIGHT: -
 CUSTOMER DRAWING

DWN: B. SCOTT 3-5-91
 CHK: J. LIPPERT 3-11-91
 APVD: M. PHILLIPS 4-2-91
 NAME: -
 PRODUCT SPEC: 108-12001
 APPLICATION SPEC: -
 SIZE: A1 CAGE CODE: 00779 DRAWING NO: 225550
 RESTRICTED TO: -
 SCALE: 4:1 SHEET 1 OF 1 REV V

STE TE Connectivity
 PLUG, WEATHERPROOF, SERIES TNC

单击下面可查看定价，库存，交付和生命周期等信息

[>>TE Connectivity\(泰科\)](#)