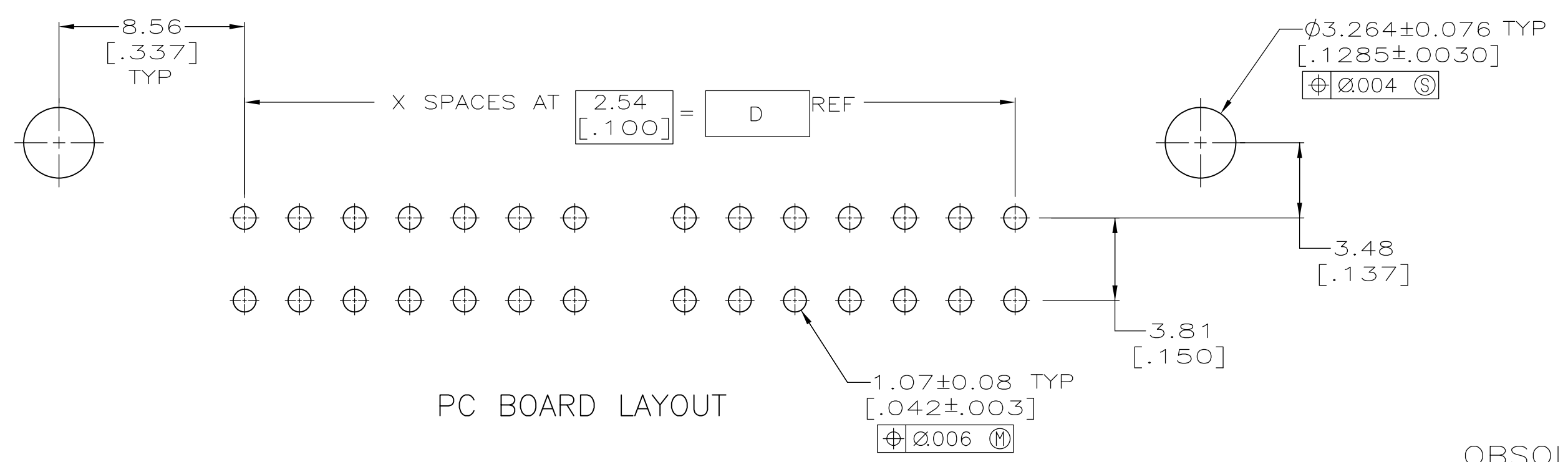
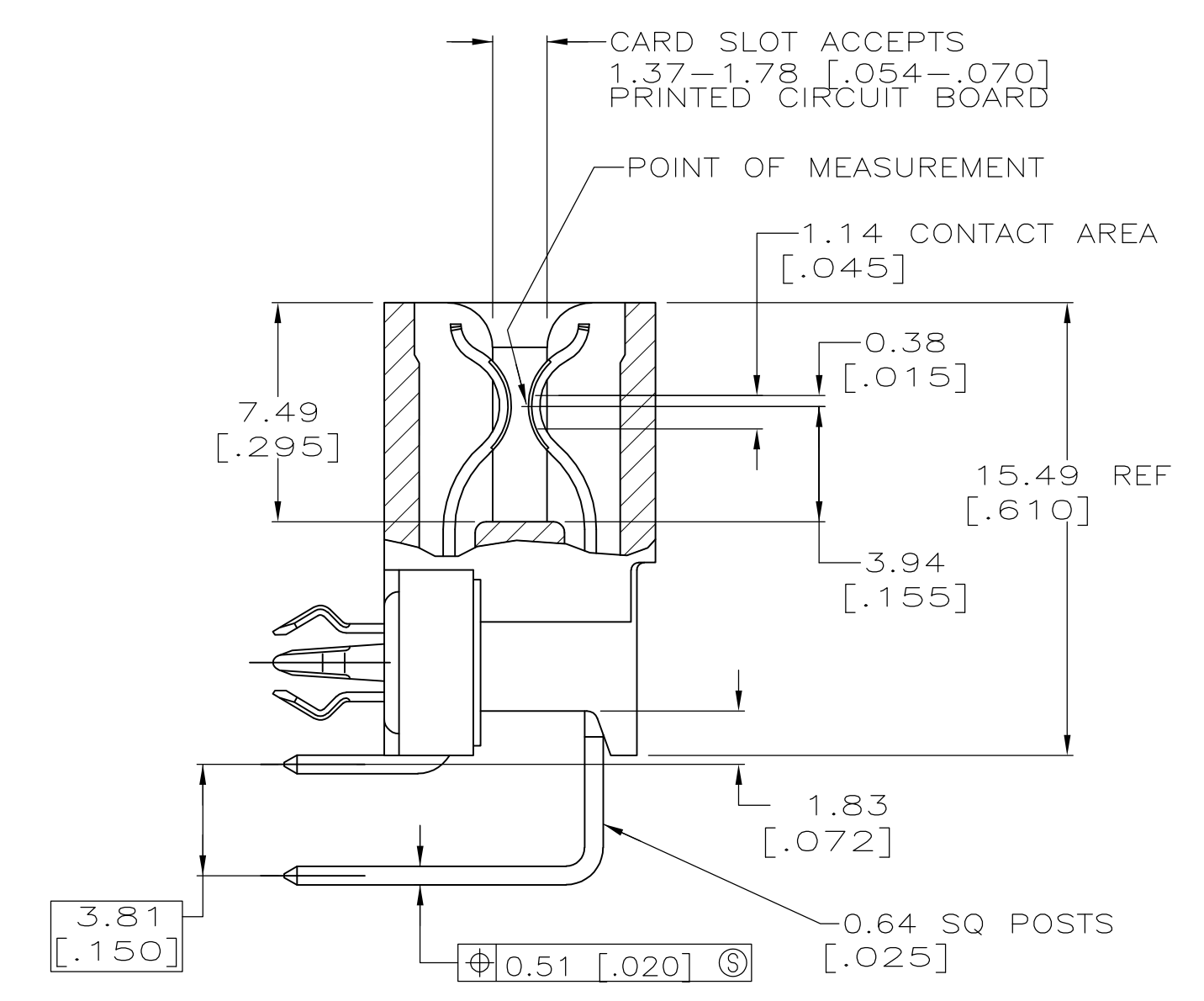
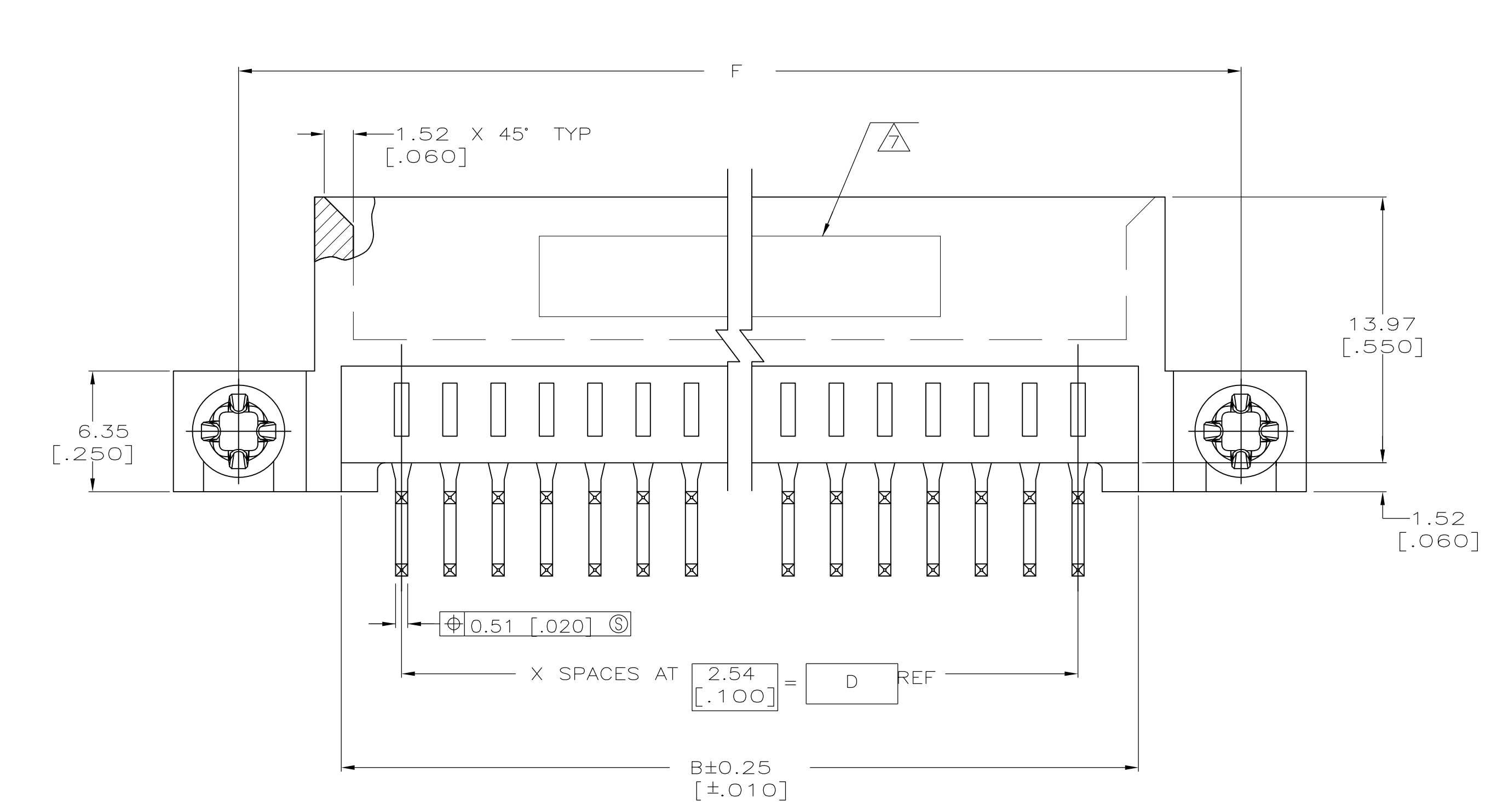


- ① HOUSING: GLASS FILLED POLYESTER; COLOR: BLACK.
- ② CONTACT: PHOSPHOR BRONZE.
- ③ NICKEL UNDERPLATE: 0.00127 [.000050] MIN - ALL OVER.
- ④ TIN-LEAD PLATE: 0.00254 [.000100] MIN - SOLDER POSTS.
- ⑤ GOLD PLATE: 0.00076 [.000030] MIN - CONTACT AREA.
- ⑥ NICKEL PLATE PER MIL-G-45204. GOLD PLATE PER QQ-N-290.
- ⑦ AMP PART NUMBER AND DATE CODE ARE MARKED IN APPROXIMATE AREA SHOWN, OPPOSITE POST TIPS.
- 8. RECOMMENDED PCB FINISHED HOLE DIA: 1.07±0.08 [.042±.003].
- 9. PACKAGED IN GANG OF TUBES.



OBSOLETE	3.43(.135)	11	45.08(1.775)	51.94(2.045)	27.94(1.100)	33.02(1.300)	34.29(1.350)	37.08(1.460)	12	145089-2
	2.286(.090)	11	45.08(1.775)	51.94(2.045)	27.94(1.100)	33.02(1.300)	34.29(1.350)	37.08(1.460)	12	145089-1
	G	X	F	E	D	C	B	A	NO OF POSN	PART NUMBER

THIS DRAWING IS A CONTROLLED DOCUMENT.

DIMENSIONS: mm	TOLERANCES UNLESS OTHERWISE SPECIFIED:	0 PLC ± -	1 PLC ± -	2 PLC ± 0.13[.005]	3 PLC ± -	4 PLC ± -	ANGLES ± °
----------------	--	-----------	-----------	--------------------	-----------	-----------	------------

DWN: AL FRANTUM 08 SEP 04
 CHK: AWF 08 SEP 04
 APVD: -
 NAME: Tyco Electronics Corporation, Harrisburg, Pa 17105-3608
 PRODUCT SPEC: CONNECTOR ASSEMBLY, STANDARD EDGE II, 2.54[.100] CL x 3.81[.150], RIGHT ANGLE
 APPLICATION SPEC: -
 SIZE: A1 00779 C=145089
 WEIGHT: -
 RESTRICTED TO: -
 CUSTOMER DRAWING SCALE: 5:1 SHEET: 1 OF 1 REV: C1

单击下面可查看定价，库存，交付和生命周期等信息

[>>TE Connectivity\(泰科\)](#)