

P	LTR	DESCRIPTION	DATE	DWN	APVD
R5		REDRAWN PER ECO-19-005708	06MAY2019	BKW	SF

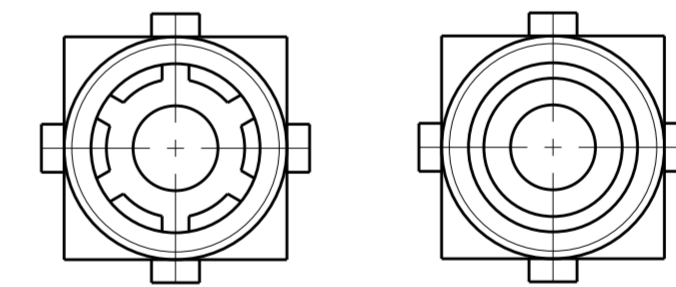
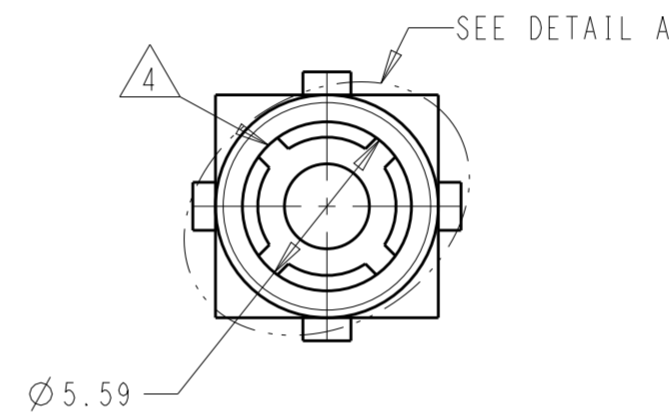
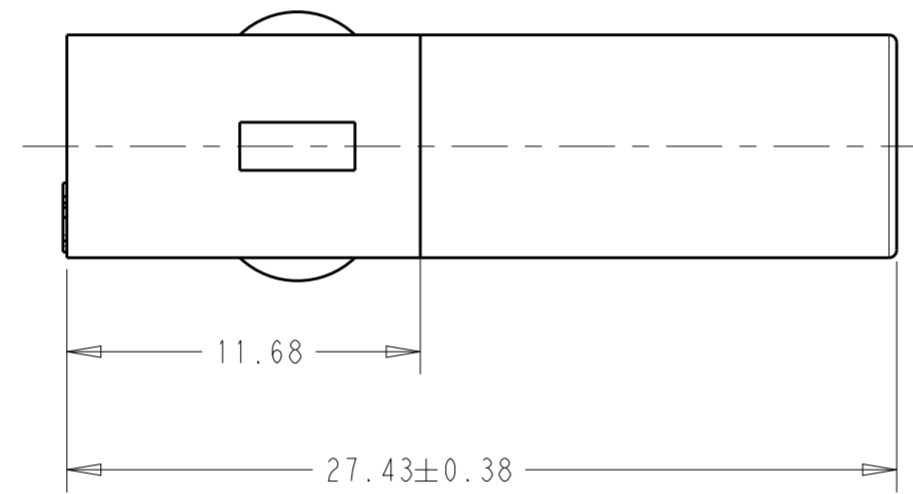
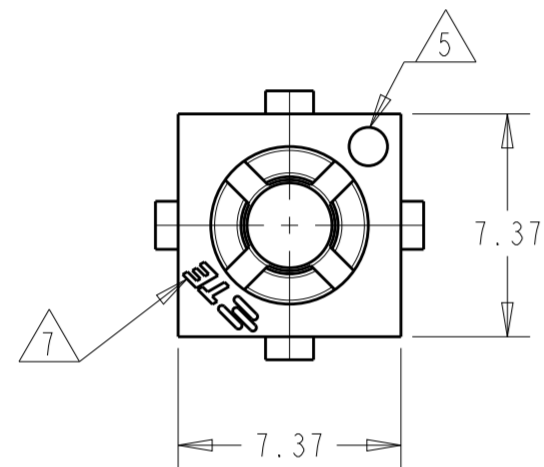
- MATES WITH APPROPRIATE UNIVERSAL MATE-N-LOCK™ CAP
- SMALL NICKS ARE PERMITTED ON THE CIRCUIT TOWER WHICH COULD INCREASE THE INITIAL HOUSING MATING FORCE BY UP TO 2.2 NEWTONS (.5 LBS.)
- DIMENSIONS SHOWN REPRESENT PRODUCT IN DRY, AS MOLDED, CONDITION. ADDITIONAL 2% GROWTH DUE TO SUBSEQUENT MOISTURE ABSORPTION MAY OCCUR AND SHOULD BE ACCOUNTED FOR.

△4 FOUR RIBS EQUALLY SPACED, NO SPECIFIC ORIENTATION. NO RIBS OR SIX RIBS EQUALLY SPACED, NO SPECIFIC ORIENTATION, OPTIONAL.

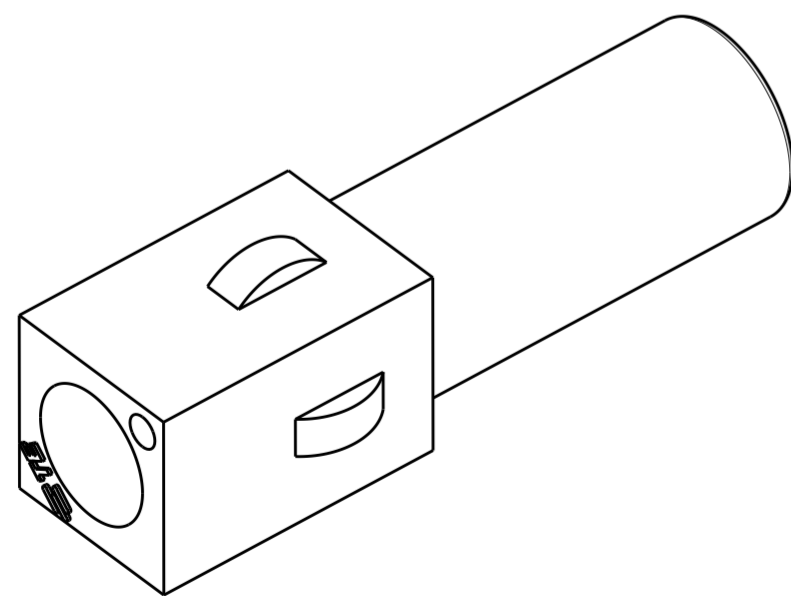
△5 CSA LOGO LOCATED APPROXIMATELY AS SHOWN.

△6 MATERIAL: PA66, UL94 V-0, GWIT 775°C

△7 TRADEMARK LOCATION: AMP OR TE



DETAIL A  
OPTIONAL CONSTRUCTIONS



△6	NATURAL	1-350865-1
	NATURAL	350865-1
	COLOR	PART NUMBER

THIS DRAWING IS A CONTROLLED DOCUMENT.		DWN B. WEAVER 06MAY2019	TE Connectivity	
DIMENSIONS: mm		CHK S. FERNANDES 06MAY2019		
TOLERANCES UNLESS OTHERWISE SPECIFIED:		APVD T. BENCHOFF 06MAY2019	NAME PLUG, SINGLE CIRCUIT, UNIVERSAL MATE-N-LOCK	
0 PLC ±	1 PLC ±	PRODUCT SPEC	-	
2 PLC ±0.13	3 PLC ±	APPLICATION SPEC	-	
4 PLC ±	ANGLES ±0° 30'	WEIGHT	-	
FINISH -		MATERIAL NYLON UL 94V-0		
		CUSTOMER DRAWING		RESTRICTED TO -
		SIZE A2	CAGE CODE 00779	DRAWING NO C-350865
		SCALE 4:1	SHEET 1 OF 1	REV R6

单击下面可查看定价，库存，交付和生命周期等信息

[>>TE Connectivity\(泰科\)](#)