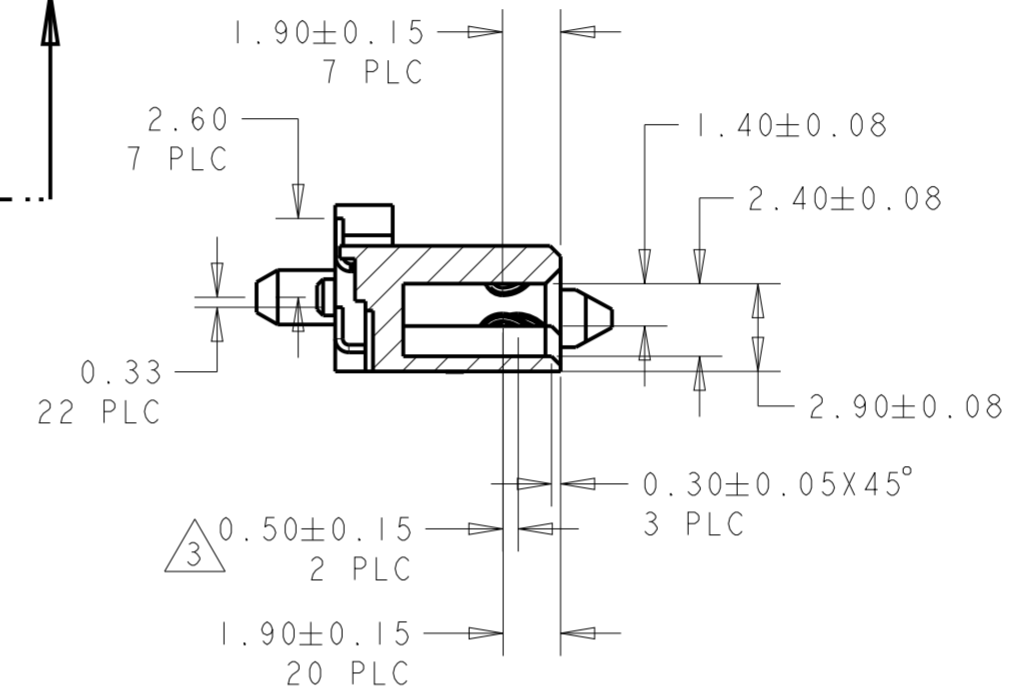
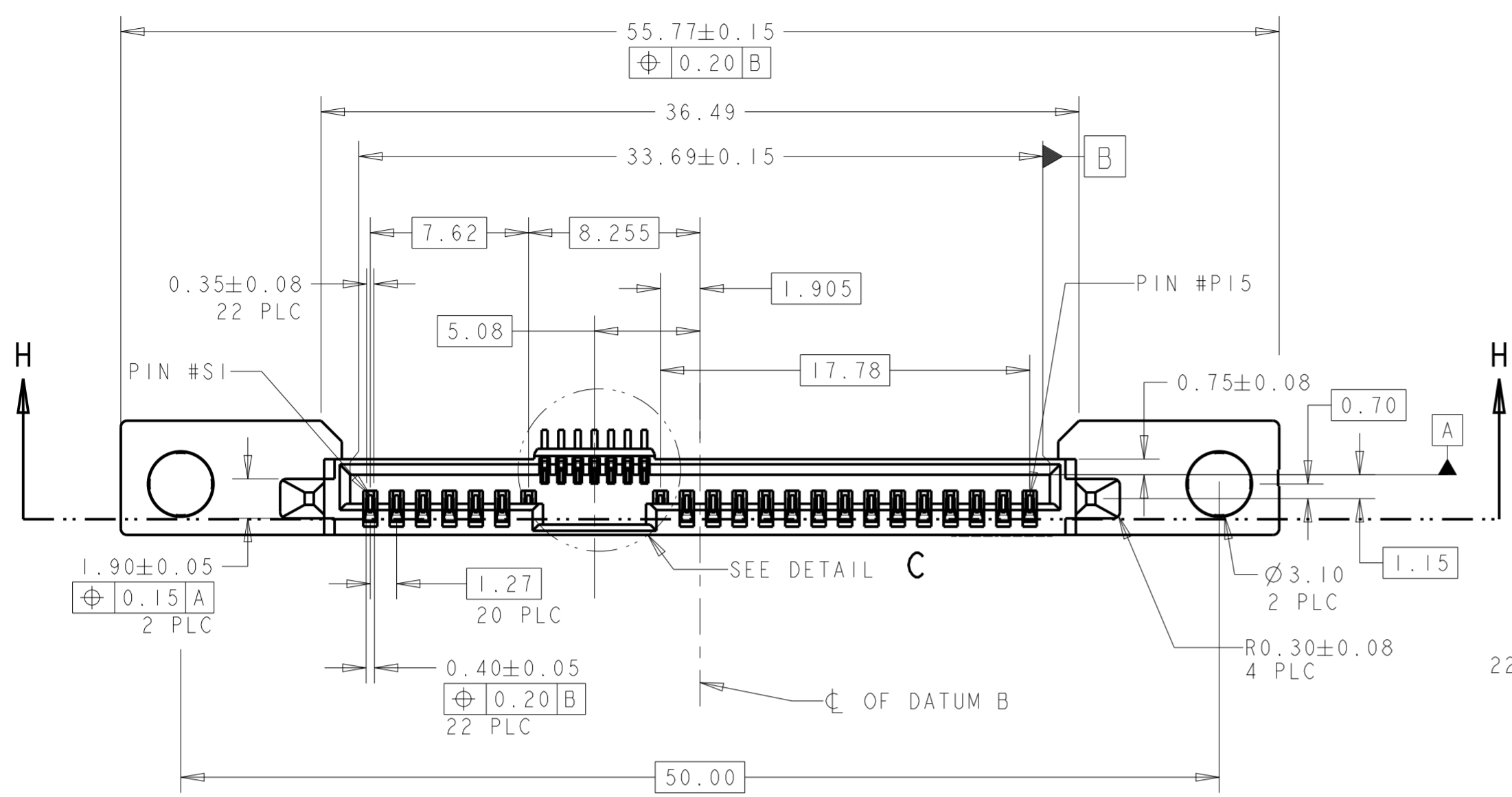
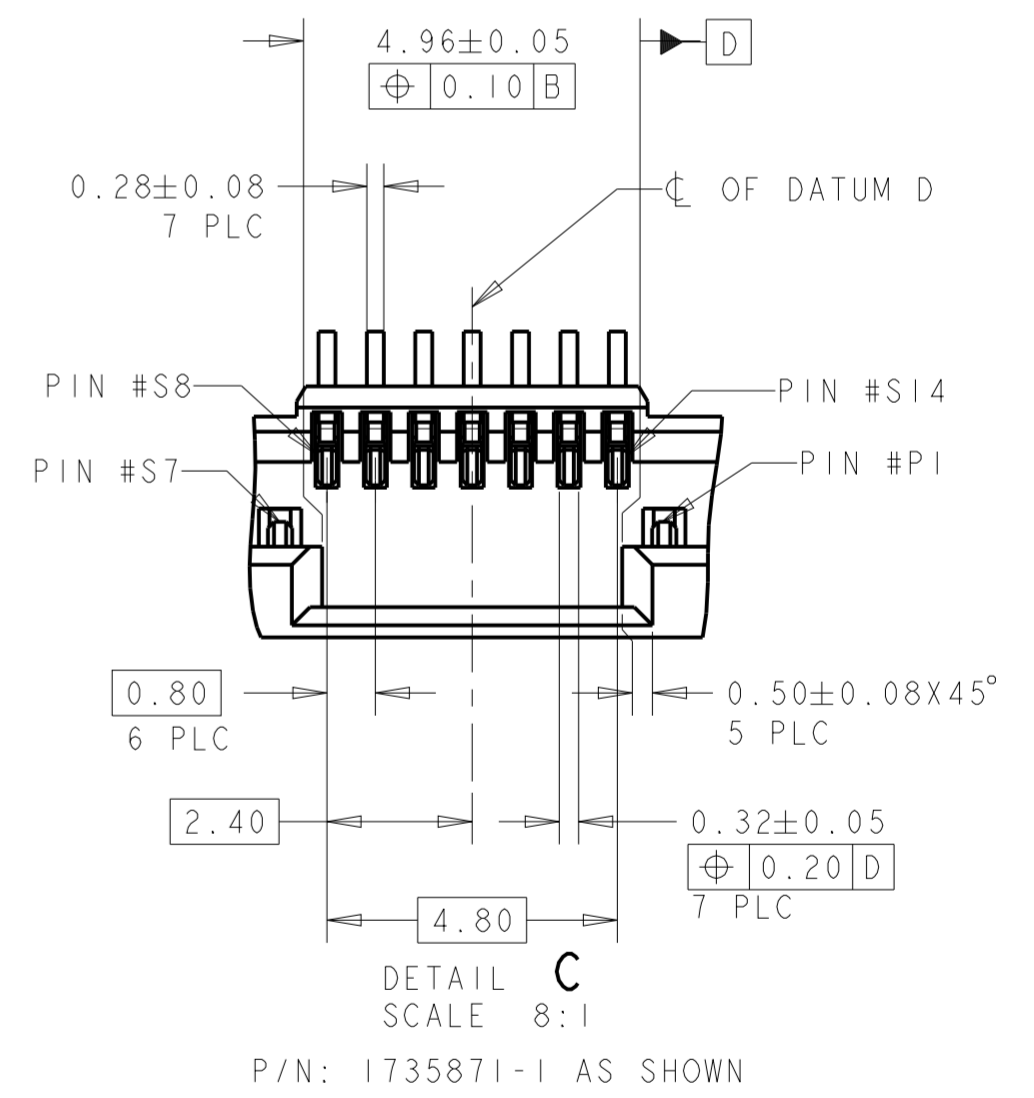
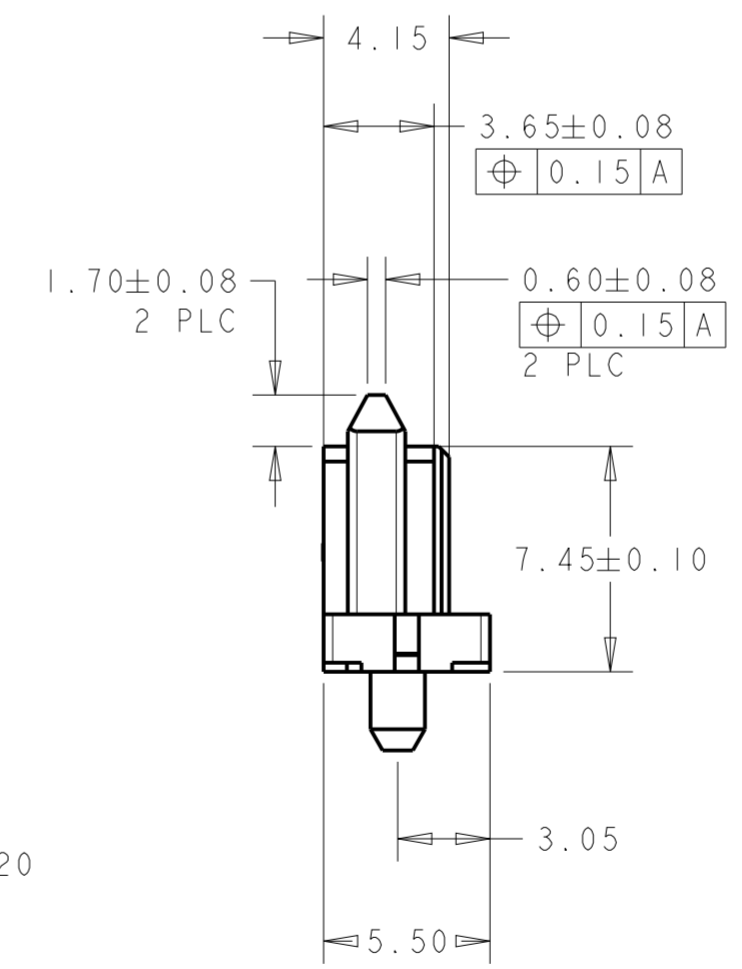
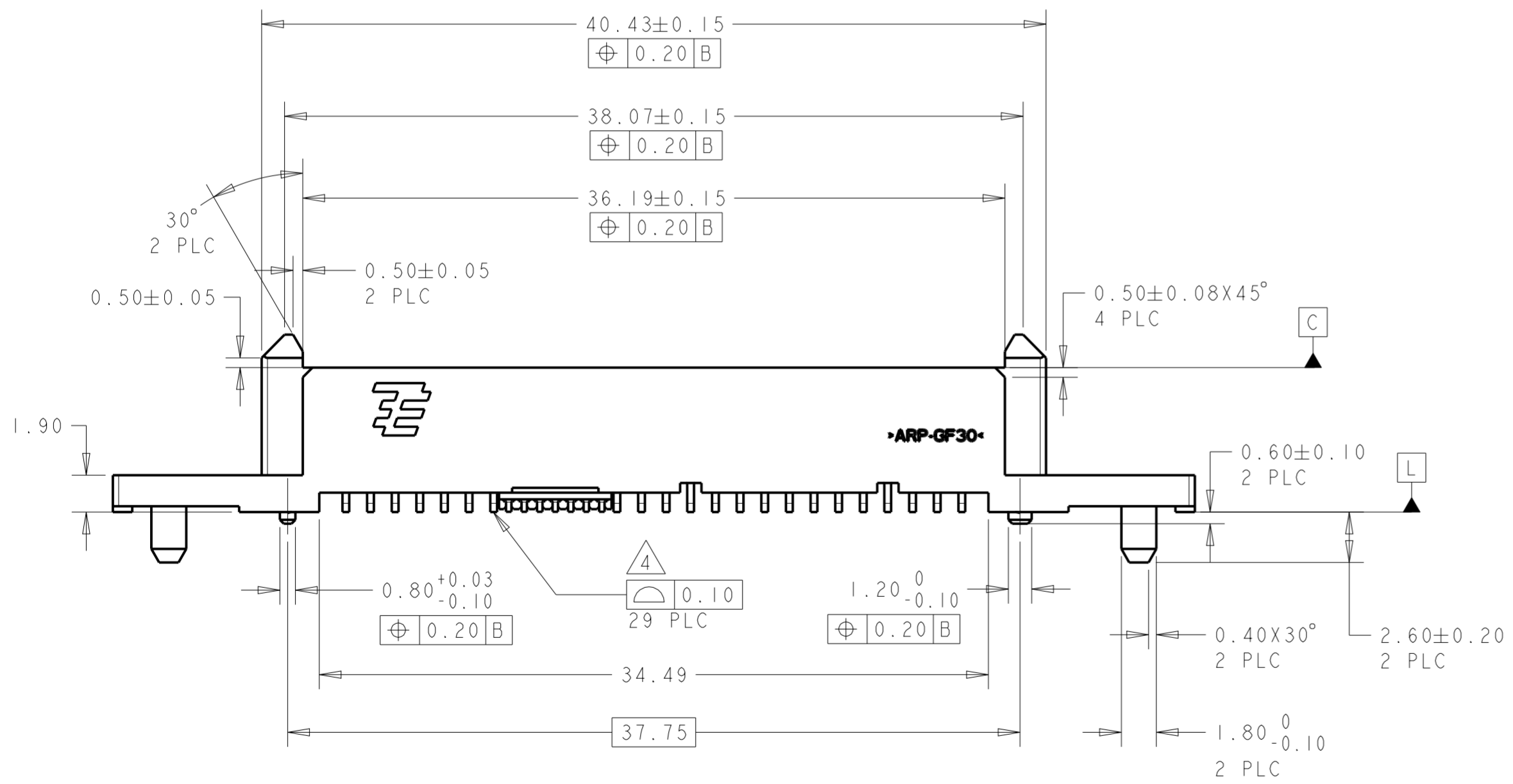


THIS DRAWING IS UNPUBLISHED. RELEASED FOR PUBLICATION .19
 (C) COPYRIGHT 19 BY AMP INCORPORATED. ALL RIGHTS RESERVED.

REVISIONS					
P	LTR	DESCRIPTION	DATE	DWN	APVD
A		NPR PER ECR-11-005372	15MAR11	PTY	LSF
B		REVISED PER ECR-15-000604	15JAN2015	HW	JY



- NOTES:
- MATERIAL:
HOUSING: HIGH TEMP THERMOPLASTIC, UL94V-0, COLOR: BLACK
CONTACT: COPPER ALLOY
ROUND POST: BRASS
 - FINISH:
CONTACT AREA: MIN 0.76um GOLD PLATING
SOLDERTAIL: MIN 2.54um MATTE TIN PLATING
UNDERPLATE: MIN 1.27um NICKEL PLATING
ROUND POST PLATING: MIN 2.54um TIN OVER MIN 1.27um NICKEL UNDERPLATE
 - PIN #P4 AND #P12 ONLY. PREMATING PINS
 - SOLDERTAIL TO BE 0.05 MAX ABOVE AND 0.10 MAX BELOW DATUM E
 - 1.33 MAX MEASURED AT DATUM C
 - ROUND POSTS ARE SOLDERABLE
 - ELECTRICAL SPECIFICATION:
MAXIMUM RATED CURRENT: 1.5Amps @ 30°C MAX
CONTACT RESISTANCE: 30 MILLI-OHMS MAX
INSULATOR RESISTANCE: 1000 MEGOHMS MIN
DIELECTRIC WITHSTANDING VOLTAGE: 500 V AC

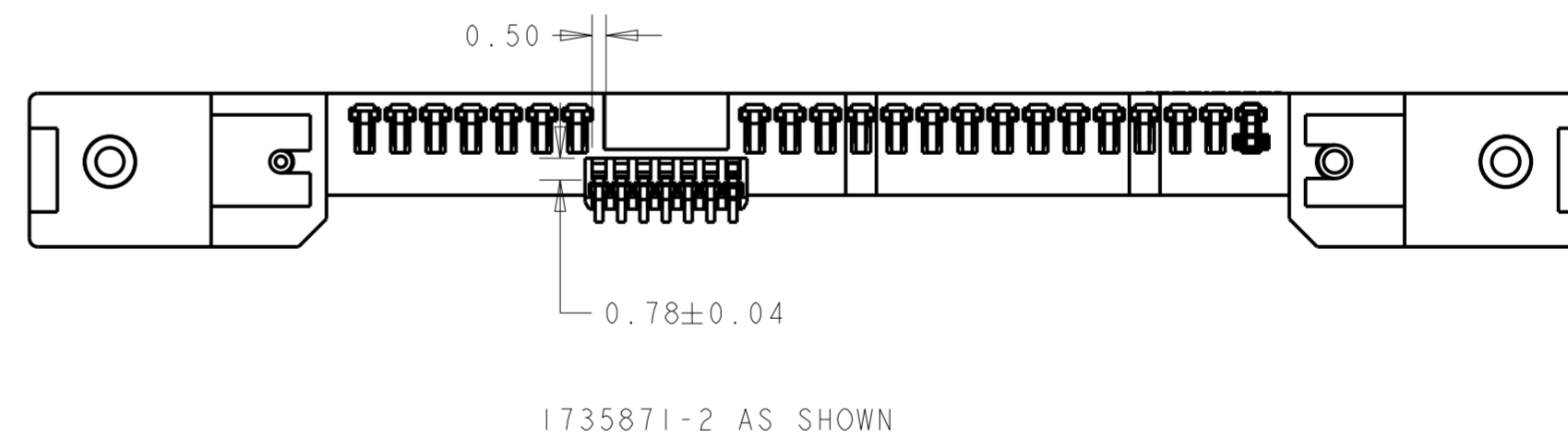
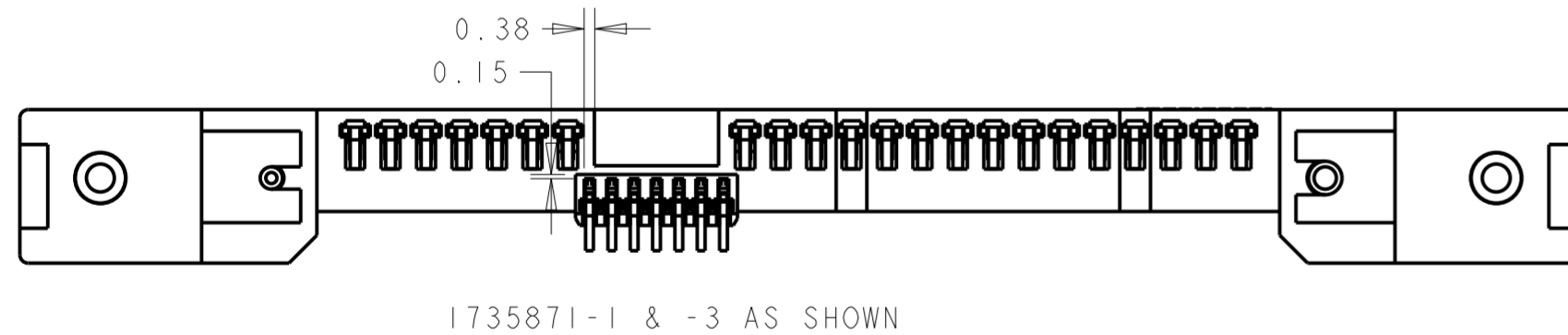
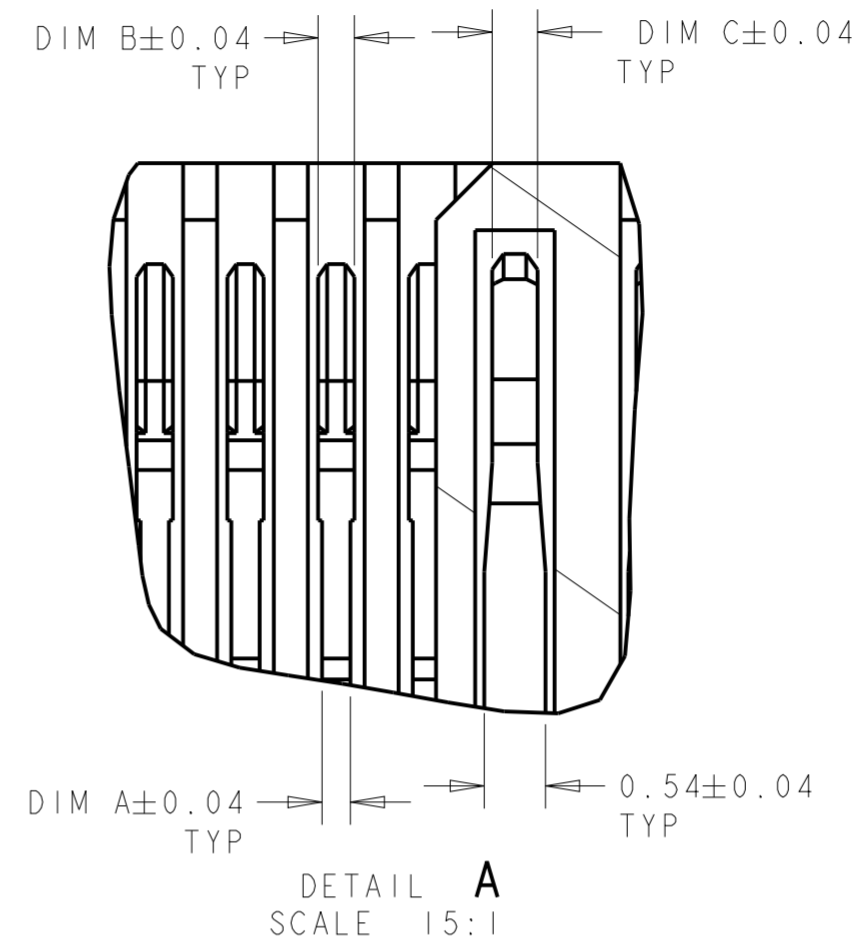
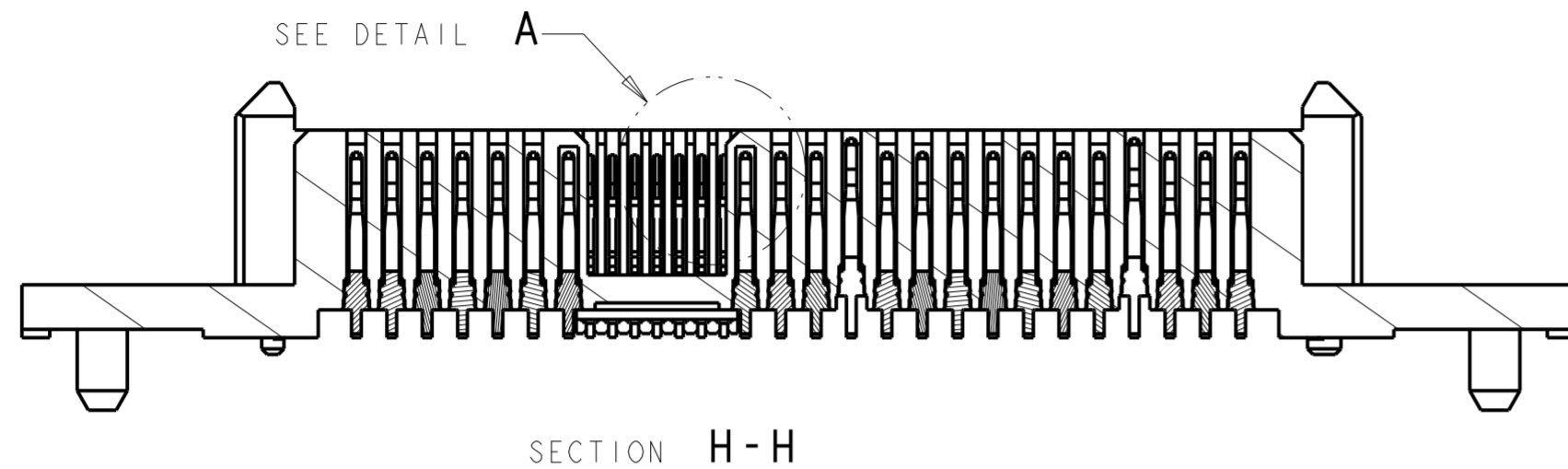


0.54	0.34	0.34	1735781-3
0.54	0.39	0.34	1735781-2
0.40	0.32	0.25	1735781-1
DIM C	DIM B	DIM A	P/N

THIS DRAWING IS A CONTROLLED DOCUMENT FOR AMP INCORPORATED. IT IS SUBJECT TO CHANGE AND THE CONTROLLING ENGINEERING ORGANIZATION SHOULD BE CONTACTED FOR THE LATEST REVISION.		DWN TY PANG 15MAR2011	Tyco Electronics Singapore Pte. Ltd.	
DIMENSIONS: mm		CHK SF LEONG 15MAR2011		
TOLERANCES UNLESS OTHERWISE SPECIFIED: 0 PLC ± 1 PLC ± 2 PLC ±0.20 3 PLC ± 4 PLC ± ANGLES ±3° FINISH		APVD SF LEONG 15MAR2011	NAME SAS BACKPLANE RECEPTACLE, VERTICAL, SMT, SOLDERABLE POST	
MATERIAL		PRODUCT SPEC 108-51067	SIZE A2	CAGE CODE 00779
		APPLICATION SPEC -	DRAWING NO 1735871	SHEET 1 OF 3
		WEIGHT -	SCALE 4:1	REV B
CUSTOMER DRAWING				

THIS DRAWING IS UNPUBLISHED. RELEASED FOR PUBLICATION .19
 (C) COPYRIGHT 19 BY AMP INCORPORATED. ALL RIGHTS RESERVED.

REVISIONS			
LOC	DIST	DESCRIPTION	DATE
DY	-		
P	LTR		

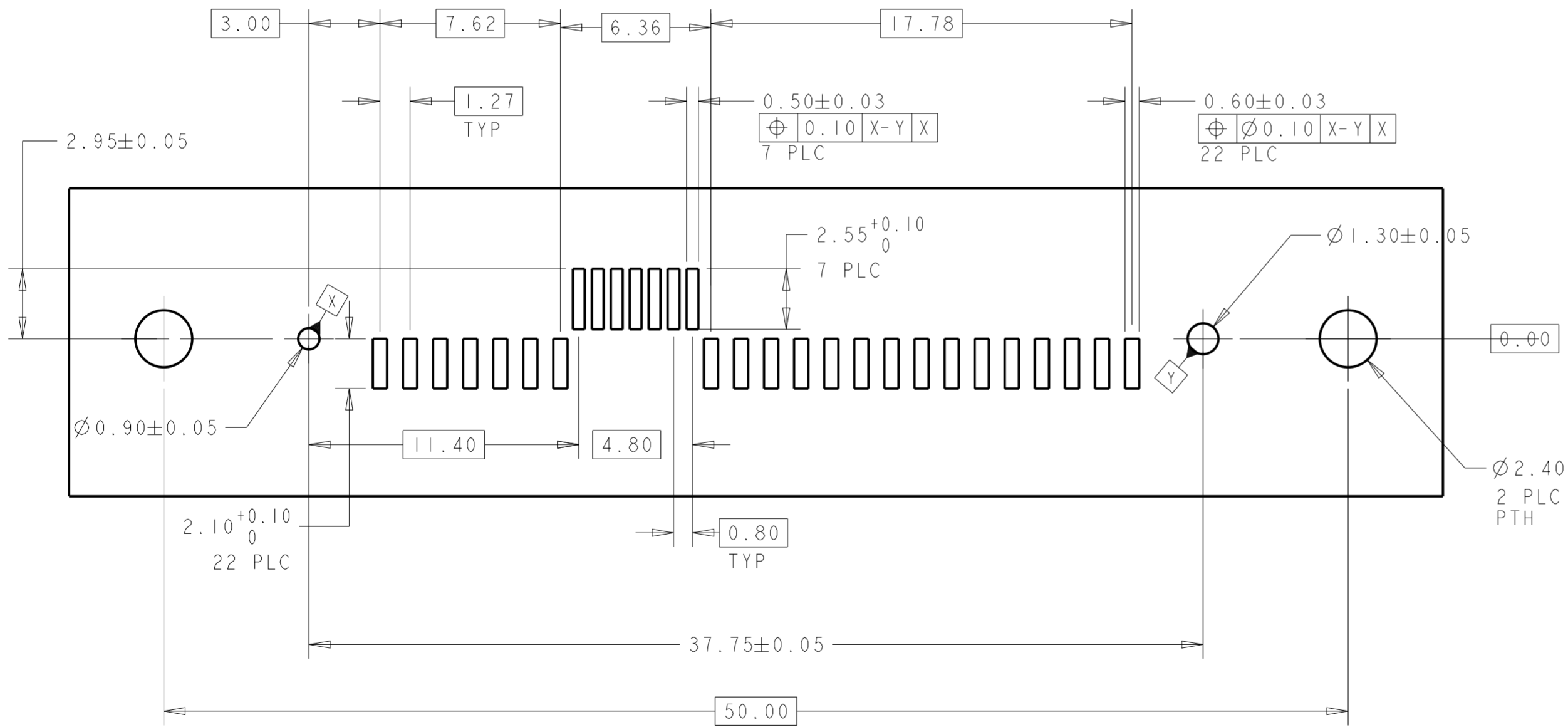
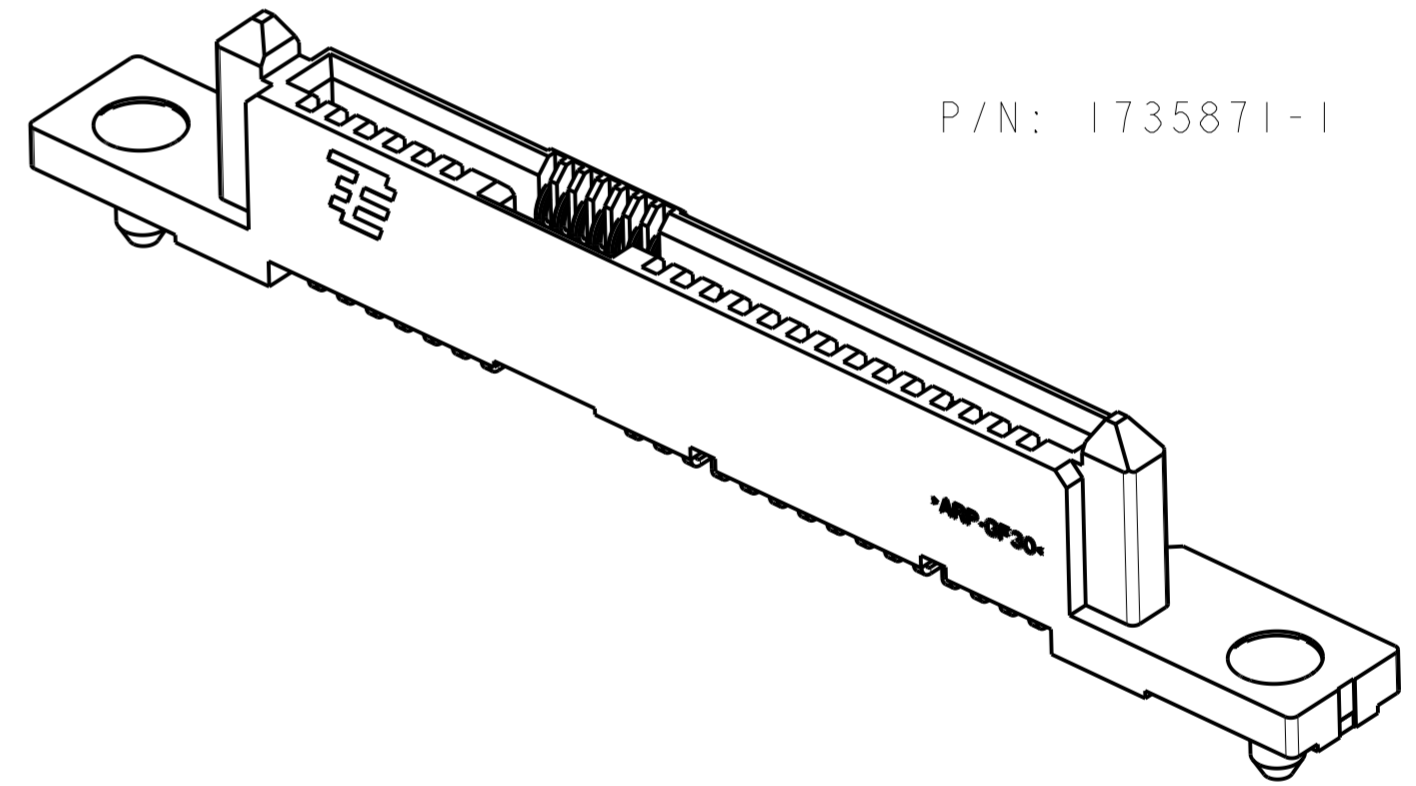
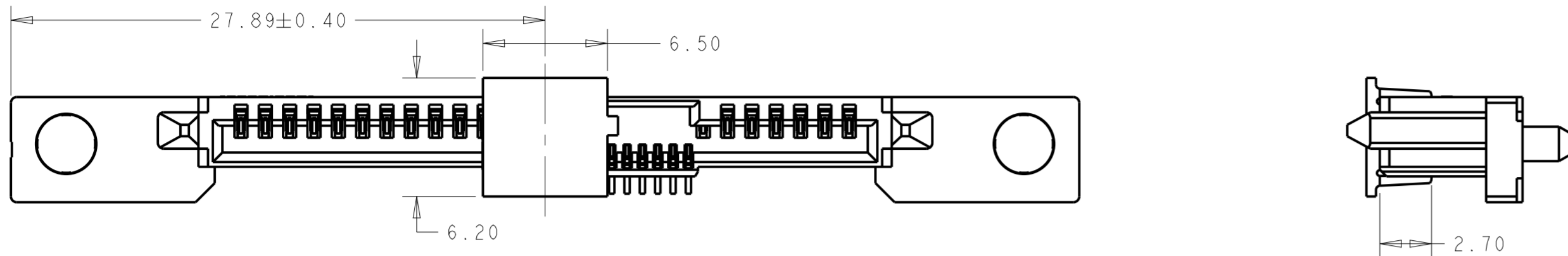


<small>THIS DRAWING IS A CONTROLLED DOCUMENT FOR AMP INCORPORATED. IT IS SUBJECT TO CHANGE AND THE CONTROLLING ENGINEERING ORGANIZATION SHOULD BE CONTACTED FOR THE LATEST REVISION.</small>		DWN TY PANG 15MAR2011 CHK SF LEONG 15MAR2011 APVD SF LEONG 15MAR2011	Tyco Electronics Singapore Pte. Ltd.		
DIMENSIONS: mm	TOLERANCES UNLESS OTHERWISE SPECIFIED: 0 PLC ± 1 PLC ± 2 PLC ±0.20 3 PLC ± 4 PLC ± ANGLES ±3° FINISH	PRODUCT SPEC 108-51067 APPLICATION SPEC - WEIGHT - CUSTOMER DRAWING	NAME SAS BACKPLANE RECEPTACLE, VERTICAL, SMT, SOLDERABLE POST		
		SIZE A2	CAGE CODE 00779	DRAWING NO. 1735871	SCALE 4:1 SHEET 2 OF 3 REV B

THIS DRAWING IS UNPUBLISHED. RELEASED FOR PUBLICATION .19
 (C) COPYRIGHT 19 BY AMP INCORPORATED. ALL RIGHTS RESERVED.

LOC		DIST		REVISIONS			
P	LTR	DESCRIPTION	DATE	DWN	APVD		
DY	-	SEE SHEET 1	-	-	-		

P/N: 1735871-1 WITH CAP AS SHOWN



RECOMMENDED PCB LAYOUT
 SCALE 5:1

THIS DRAWING IS A CONTROLLED DOCUMENT FOR AMP INCORPORATED. IT IS SUBJECT TO CHANGE AND THE CONTROLLING ENGINEERING ORGANIZATION SHOULD BE CONTACTED FOR THE LATEST REVISION.		DWN TY PANG 15MAR2011	tyco Electronics		Tyco Electronics Singapore Pte. Ltd.
DIMENSIONS: mm		CHK SE LEONG 15MAR2011	NAME SAS BACKPLANE RECEPTACLE, VERTICAL, SMT, SOLDERABLE POST		
TOLERANCES UNLESS OTHERWISE SPECIFIED: 0 PLC ± - 1 PLC ± - 2 PLC ± 0.20 3 PLC ± - 4 PLC ± - ANGLES ± 3° FINISH		APVD SE LEONG 15MAR2011	PRODUCT SPEC 108-51067		
MATERIAL		APPLICATION SPEC -	WEIGHT -	SIZE A2	CAGE CODE 00779
		CUSTOMER DRAWING	DRAWING NO 1735871	SCALE 4:1	SHEET 3 OF 3 REV B

单击下面可查看定价，库存，交付和生命周期等信息

[>>TE Connectivity\(泰科\)](#)