

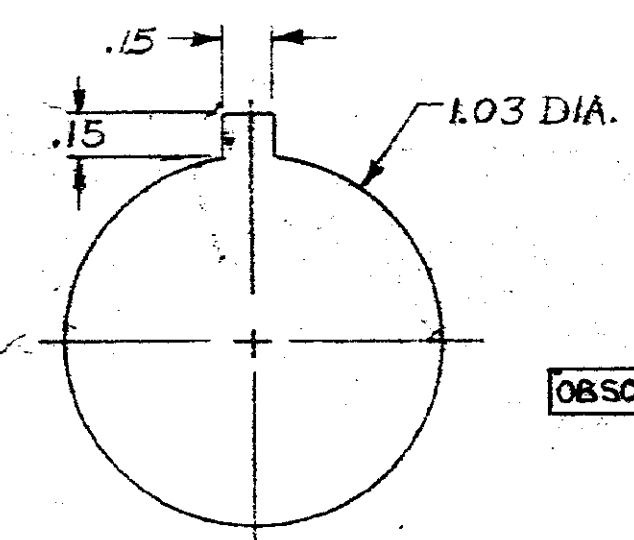
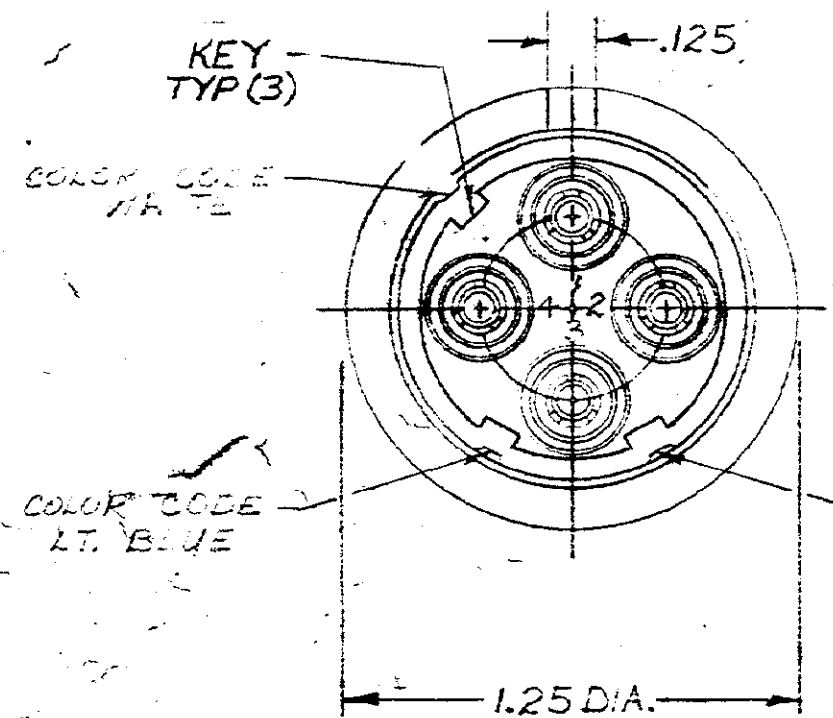
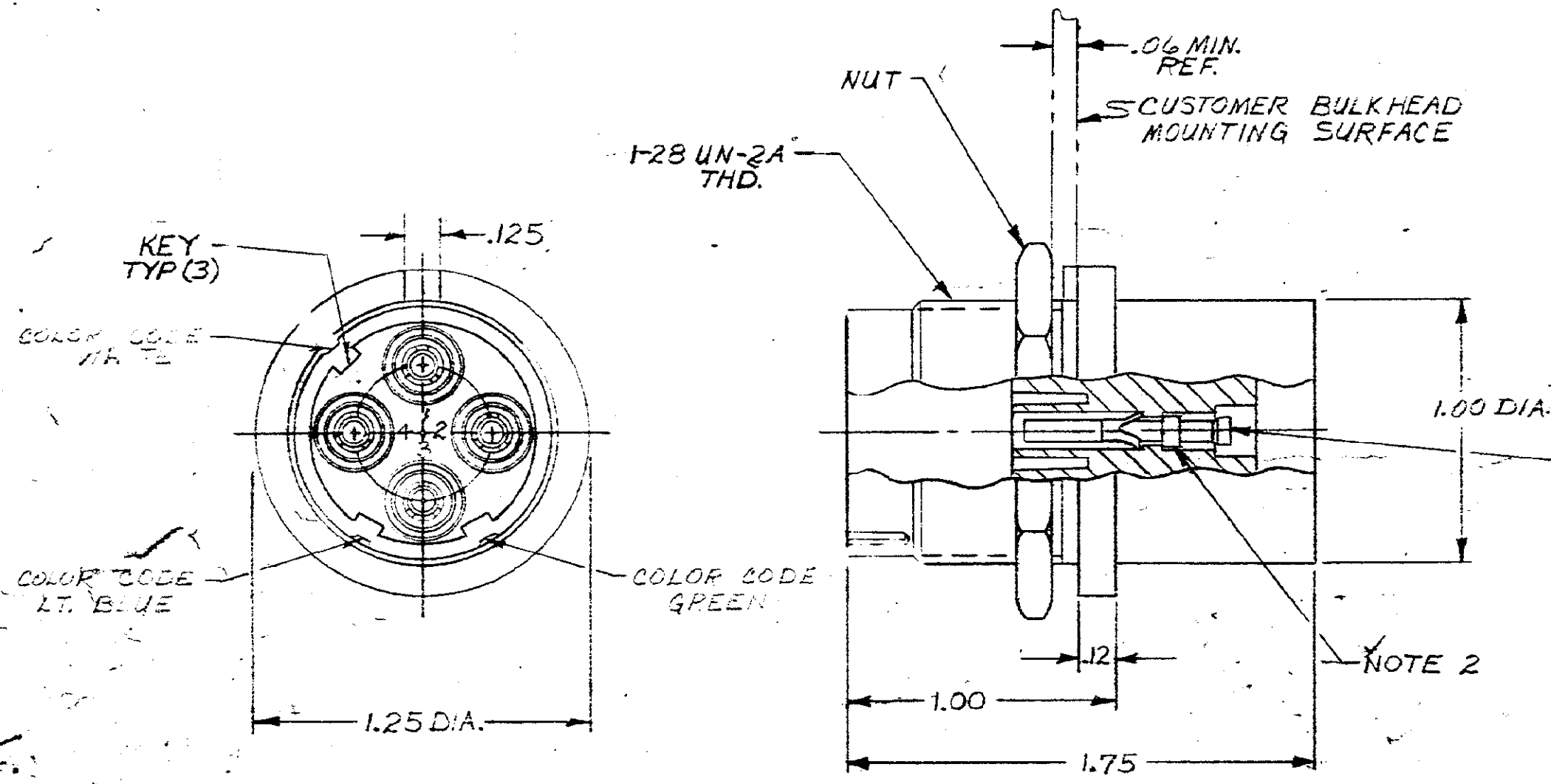
DRAWING MADE IN AMERICAN PROJECTION

© 1971 BY AMP INCORPORATED. ALL RIGHTS RESERVED. AMP PRODUCTS COVERED BY PATENTS AND/OR PATENTS PENDING.

Unpublished copy not to be reproduced or published without written permission of AMP Incorporated.

THIS PRODUCT DESIGNED AND BUILT BY AMP INCORPORATED. BY LICENSE TO USE THIS DESIGN IN CONSTRUCTION, AS TO THE USE OF OTHER OR FOREIGN PATENTS, THE USER IS ADVISED.

REVISIONS				
ZONE	LTR	DESCRIPTION	DATE	APPROVED
	E	REV. & REDRAWN WAS "B" SIZE	7-24-71	M.P.
	F	REV. NOTE 2 & POTTING MATERIAL	8-24-71	M.P.
	G	ADDED COLOR CODE DELETED PORTION OF THD. 2, 8	5-17-72	M.P.
	H	REV. NOTE 2 ADDED 2		M.P.
	J	ADDED 3	2-26-76	M.P.
	K	ADDED -4, -5, -6	6-30-77	M.P.
	L	REV. PER E.C.N. 81067	2-26-78	M.P.
	M	ADDED -7	6-10-79	JG
	N	OBSOLETE -3	ECN 53615	11-5-86 R8



AMP. P. N.	WIRE SIZE RANGE	HAND. TOOL	COLOR CODING
859526-1	20, 22, 24	45099	YES
859526-2	16, 18	45098	YES
<b>OBSOLETE</b> 859526-3	14	45098	YES
859526-4	20, 22, 24	45099	NO
859526-5	16, 18	45098	NO
859526-6	14	45099	NO
859526-7			YES

- NOTE:
1. CAVITY TO ACCEPT AMP SOCKETS, TYPE II 516GA RECEPTACLE IS LOADED WITH SOCKETS. WHEN SHIPPED TO REMOVE SOCKETS, USE AMP EXTRACTION TOOL.
  2. TYPE II SOCKETS WILL ACCEPT (1) 22 AWG STRANDED WIRE, GOLD PLATED PER MIL-G-45204 TYPE II (2) 20 AWG STRANDED WIRE.
  3. RECEPTACLE WILL WITH STAND WITHOUT BREAKDOWN 27 KV DC PIN TO PIN & 27 KV DC PIN TO GRD. WHEN MATED WITH 859816, 859537 OR 859530.
  4. MARKING TO BE WHITE
  5. TYPE II SOCKETS WILL ACCEPT (1) 18 AWG OR (2) 18 AWG STRANDED WIRE.
  6. TYPE II SOCKETS TO ACCEPT ONE (1) 14 AWG STRANDED WIRE.
  7. SAME AS 859526-2, EXCEPT LESS SOCKETS.

ITEM NO.	DWG SIZE	PART OR IDENTIFYING NO.	NOMENCLATURE OR DESCRIPTION	SYMBOL
PARTS LIST				
CONTRACT NO. DR L. GEIB - 71 CHK APPD M. GARDNER 2-15-71 APPD			<b>AMP</b> AMP INCORPORATED CAPITOL DIVISION ELIZABETHTOWN, PENNSYLVANIA	
UNLESS OTHERWISE SPECIFIED: DIMENSIONS ARE IN INCHES TOLERANCES .00 ± .02 ANGLES = T .000 ± .015			NAME <b>4 CAVITY FLANGED RECEPTACLE H.V.</b> LGH	
MATERIAL: <b>MOLDED PLASTIC</b>			SIZE CODE IDENT NO. NUMBER <b>C 00773 859526</b>	
FINISH: <b>BLACK</b>			SCALE <b>10:1</b>	
NEXT ASSY	FINAL ASSY	NEXT ASSY	USER ON.	
QTY REQD	APPLICATION			

单击下面可查看定价，库存，交付和生命周期等信息

[>>TE Connectivity\(泰科\)](#)