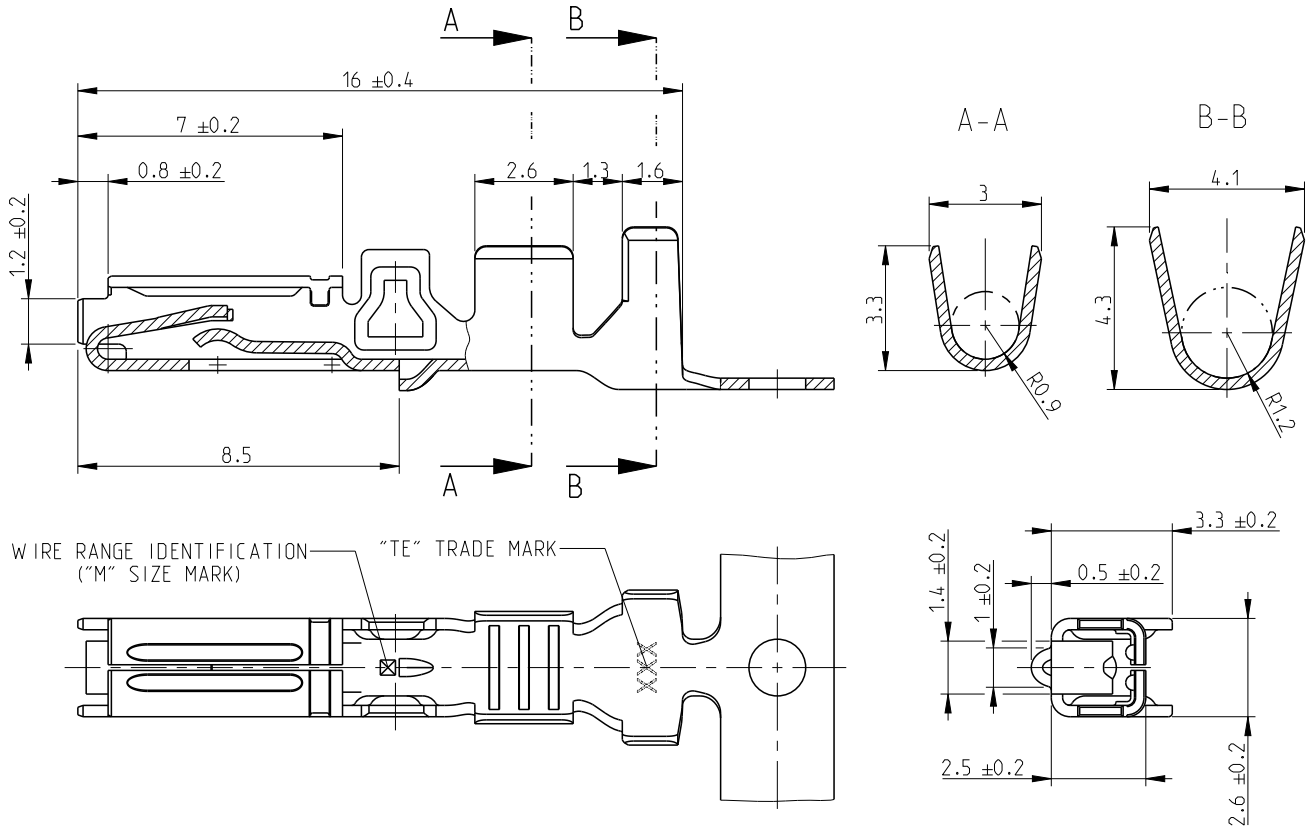


REVISIONS					
P	LTR	DESCRIPTION	DATE	DWN	APVD
	A3	Redrawn to Creo	08MAR2017	JJH	JP



1. DELIVERY STATE: ITEM IS SUPPLIED REELED ON CARTON REEL WITH STRIP PITCH =  $11.9 \pm 0.2$  mm  
 STATO DI FORNITURA: AVVOLTI SU BOBINA CON PASSO TRA TERMINALI DI =  $11.9 \pm 0.2$  mm

CUSTOMER DRAWING FOR INFORMATION ONLY  
 DISEGNO PER CLIENTE SOLO PER RIFERIMENTO

THIS DRAWING IS UNPUBLISHED. BY - ALL RIGHTS RESERVED. 20 RELEASED FOR PUBLICATION. COPYRIGHT 20

A3

INS. DIA. RANGE (DIAM. ISOLANTE)	WIRE RANGE (RANGO FILO)
$\varnothing 1.9 - 2.4$ mm	$0.75 - 1.5$ mm <sup>2</sup>

PRE-TIN (PRE-STAGNATO)	BRONZO FOSF. (PHOS. BRONZE)	284088-2
PRE-TIN (PRE-STAGNATO)	BRASS (OTTONE)	284088-1
FINISH/COLOUR (FINITURE/COLORE)	MATERIAL (MATERIALE)	PART NUMBER

DIMENSIONS: mm	DWN Q. CANUTO 17 JUL 1996	MATERIAL -	FINISH -										
TOLERANCES UNLESS OTHERWISE SPECIFIED:	CHK A. BRUNI 17 JUL 1996												
<table border="1"> <tr><td>0 PLC</td><td>±</td></tr> <tr><td>1 PLC</td><td>±</td></tr> <tr><td>2 PLC</td><td>±</td></tr> <tr><td>3 PLC</td><td>±</td></tr> <tr><td>4 PLC</td><td>±</td></tr> </table> ±0.3	0 PLC			±	1 PLC	±	2 PLC	±	3 PLC	±	4 PLC	±	PRODUCT SPEC 108-20175
0 PLC	±												
1 PLC	±												
2 PLC	±												
3 PLC	±												
4 PLC	±												
<table border="1"> <tr><td>ANGLES</td><td>±2°</td></tr> </table>	ANGLES	±2°	APPLICATION SPEC 114-20098										
ANGLES	±2°												
	APVD - WEIGHT -	NAME MULTILOCK .070 SRS REC. CONTACT FOR NEW GENERATION CONNECTOR	RESTRICTED TO -										
CUSTOMER DRAWING		SIZE A4 CAGE CODE - DRAWING NO C=284088	SCALE 5:1 SHEET 1 OF 1 REV A3										

单击下面可查看定价，库存，交付和生命周期等信息

[>>TE Connectivity\(泰科\)](#)