

THIS DRAWING IS UNPUBLISHED.

RELEASED FOR PUBLICATION

20

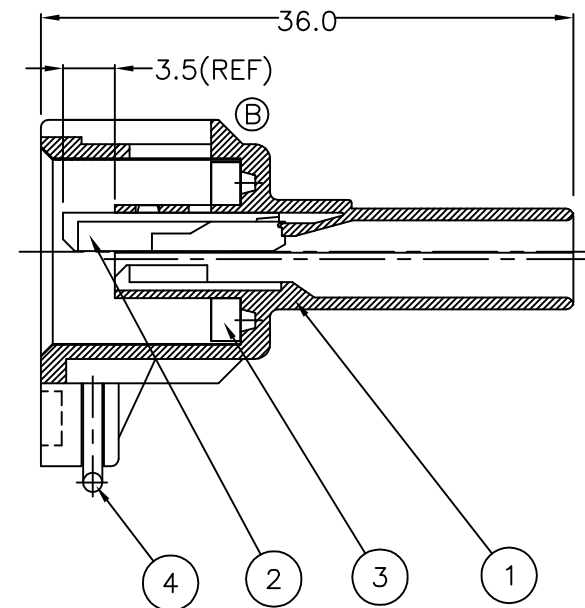
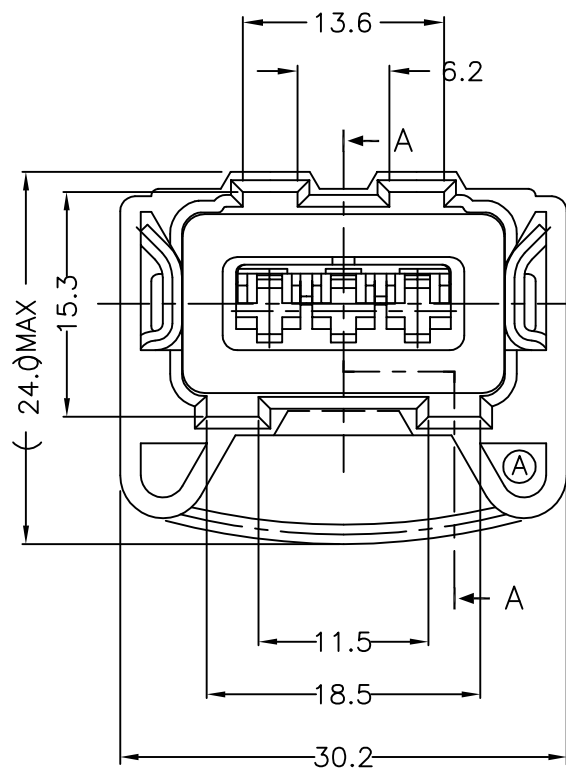
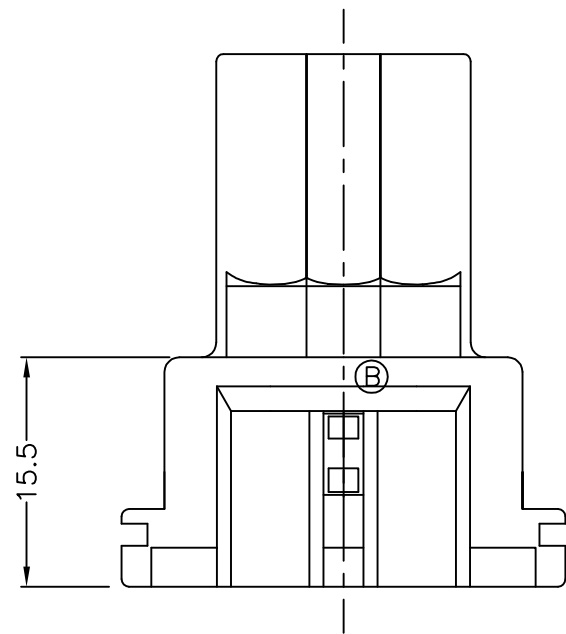
© COPYRIGHT 20

BY -

ALL RIGHTS RESERVED.

REVISIONS

P	LTR	DESCRIPTION	DATE	DWN	APVD
	B1	REVISED(ECR-17-010178)	13JUL2017	JM	KT



SECTION A-A

* NOTES *

1. APPLICABLE CONTACT P/NO: 927770 / 927766
2. APPLICABLE WIRE SEAL P/NO: 828904 / 828905 / 368064

NO	P/NO	DESCRIPTION	MATERIAL	COLOR	REQUIRED QTY
4	85388-1	SPRING	SUS 304		1
3	85384-1	SEAL RUBBER	SILICONE	ORANGE	1
2	85207-1	SPACER	PBT	YELLOW	1
1	368216-1	JPT 3P HSG FOR KNOCK SENSOR	PBT 30% GF	LIGHT GRAY	1

P/NO	DESCRIPTION
368215-1	JPT 3P ASS'Y FOR KNOCK SENSOR

THIS DRAWING IS A CONTROLLED DOCUMENT FOR AWP INCORPORATED.

DIMENSIONS: MM 		TOLERANCES UNLESS OTHERWISE SPECIFIED: 0<XX<10 ± 0.2 10<XX<30 ± 0.25 30<XX<100 ± 0.3 ANGLES ± 3°		DWN YD LEE CHK BM JANG APVD JK SONG PRODUCT SPEC 108-61000 APPLICATION SPEC 114-18018 WEIGHT 6.35g							
MATERIAL		FINISH		NAME		JPT 3P ASS'Y FOR KNOCK SENSOR					
				SIZE	CAGE CODE	DRAWING NO	RESTRICTED TO				
				A3	00779	C=368215	-				
CUSTOMER DRAWING				SCALE	2:1	SHEET	1	OF	1	REV	B1

单击下面可查看定价，库存，交付和生命周期等信息

[>>TE Connectivity\(泰科\)](#)