

THIS DRAWING IS UNPUBLISHED.

RELEASED FOR PUBLICATION

© COPYRIGHT - By -

ALL RIGHTS RESERVED.

LOC
ES

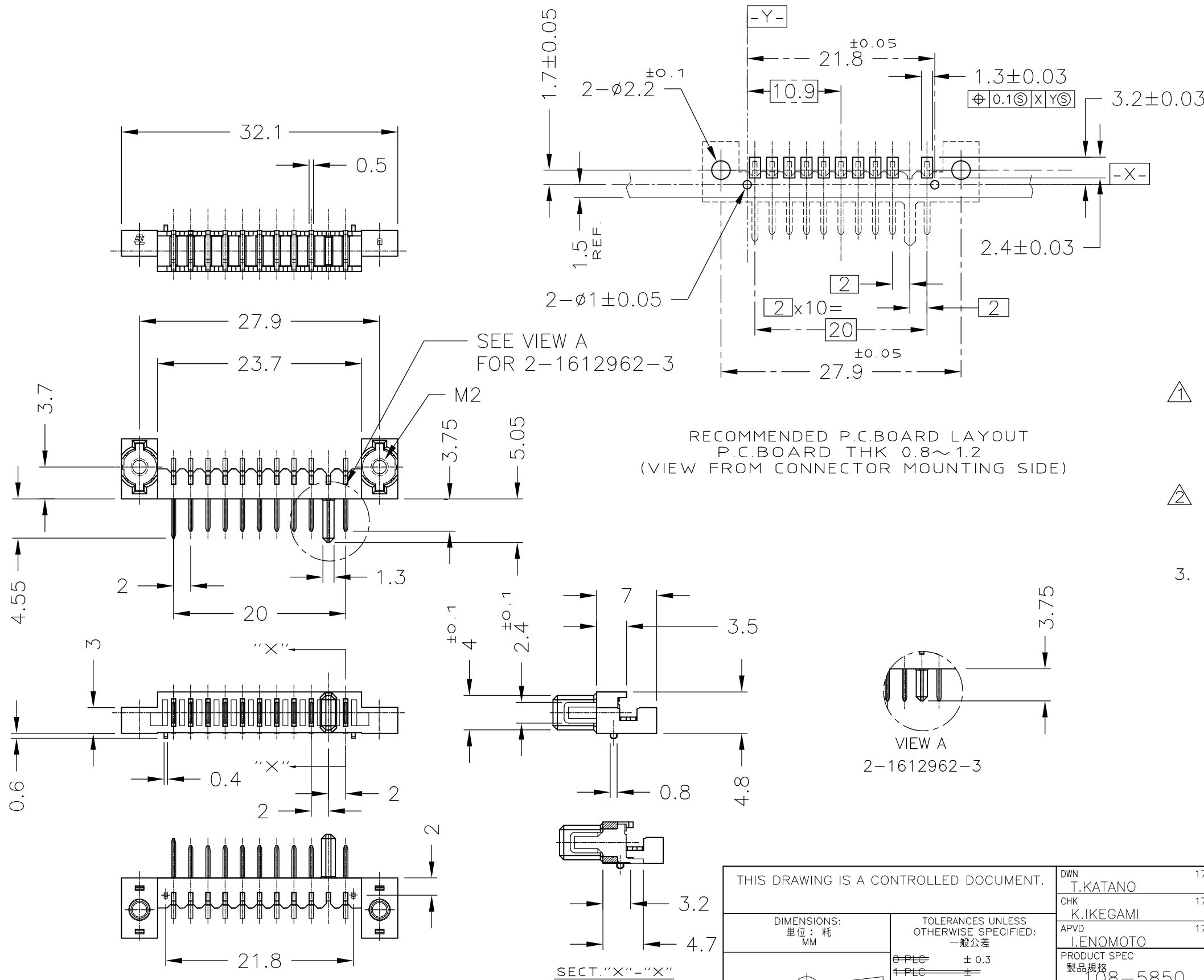
DIST
-

REVISIONS

変更

| P | LTR | DESCRIPTION | DATE | DWN | APVD |
|---|-----|---------------------------|-----------|-----|------|
| C | | REVISED PER ECR-12-002187 | 17FEB2012 | E.L | X.X |

1612962-3 : AS SHOWN



RECOMMENDED P.C. BOARD LAYOUT
P.C. BOARD THK 0.8~1.2
(VIEW FROM CONNECTOR MOUNTING SIDE)

- △ MATERIAL HOUSING : THERMOPLASTIC RESIN, UL94V-0
COLOR ; BLACK
CONTACT : COPPER ALLOY
NUT PLATE : STAINLESS STEEL
- △ FINISH CONTACT : Ni ALL OVER UNDER PL
GOLD PL. (0.3μm MIN.) AT CONTACT AREA
Au FLUSH PL. AT LEAD AREA
- 3. 1-1612962-3 : WITHOUT NUT PLATE, SEE SHEET 2

| | | |
|-------------------|------------|-------------|
| WITH NUT PLATE | 8 | 3-1612962-3 |
| WITH NUT PLATE | 10 | 2-1612962-3 |
| WITHOUT NUT PLATE | 10 | 1-1612962-3 |
| WITH NUT PLATE | 10 | 1612962-3 |
| DESCRIPTION | N (POS) | PART NO. |

STE TE Connectivity

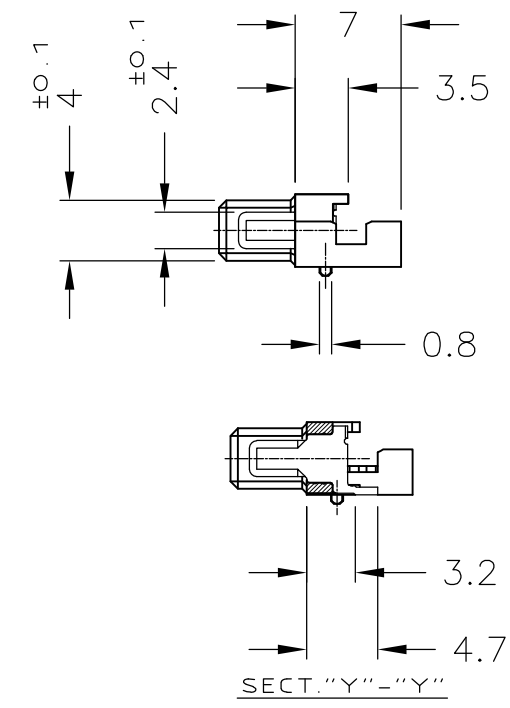
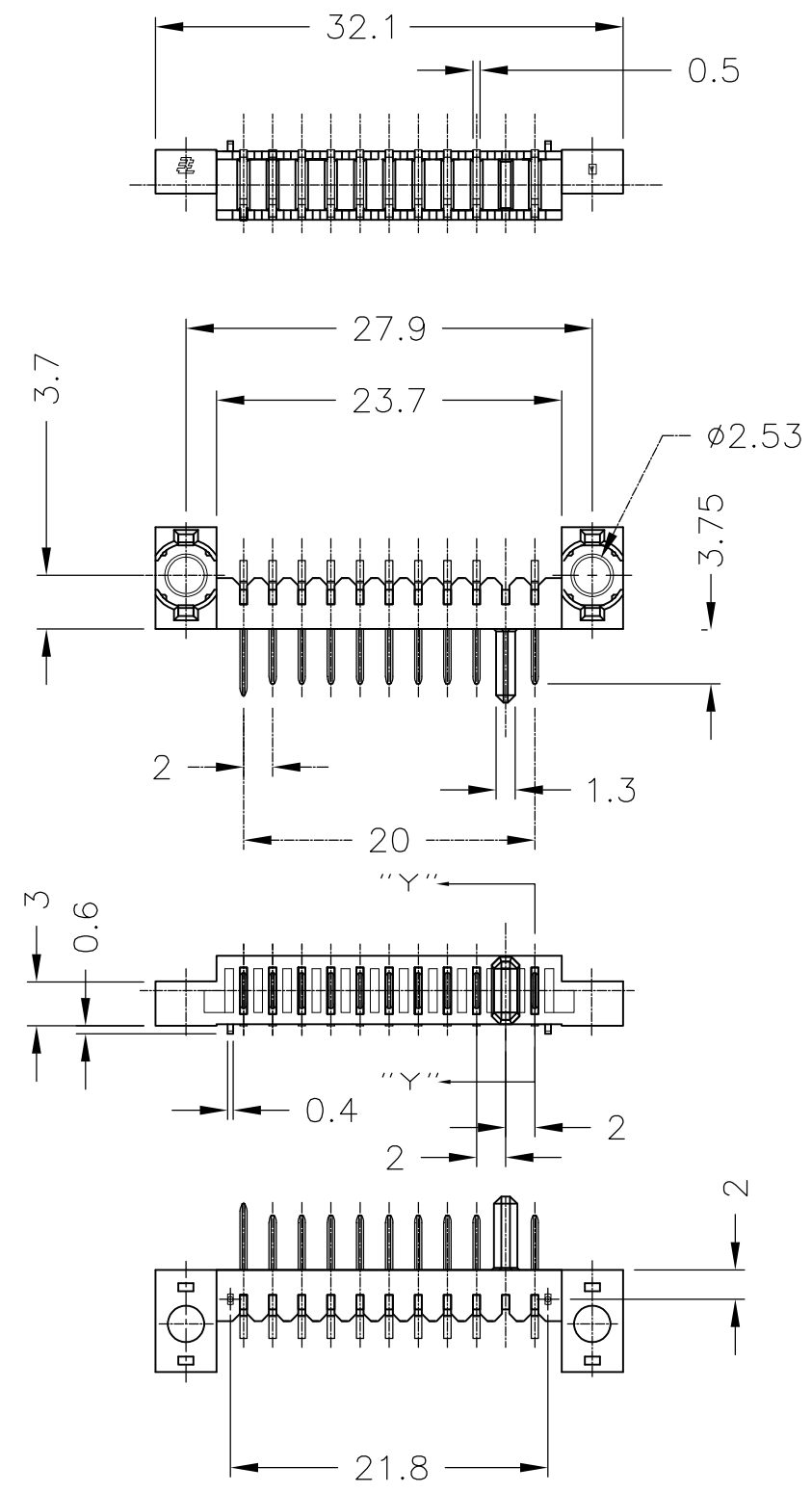
PLUG ASSEMBLY
2mm PITCH BATTERY CONNECTOR

| | | | |
|---|--|-----------------------------|---------|
| THIS DRAWING IS A CONTROLLED DOCUMENT. | | DWN T.KATANO | 17DEC02 |
| DIMENSIONS: 単位: 耗 MM | | CHK K.IKEGAMI | 17DEC02 |
| TOLERANCES UNLESS OTHERWISE SPECIFIED: 一般公差 | | APVD I.ENOMOTO | 17DEC02 |
| ∅ PLC ± 0.3 | | NAME 名称 | |
| 1 PLC ± | | PLUG ASSEMBLY | |
| 2 PLC ± | | 2mm PITCH BATTERY CONNECTOR | |
| 3 PLC ± | | SIZE | |
| 4 PLC ± | | CAGE CODE | |
| ANGLES ± 3' | | DRAWING NO 番号 | |
| FINISH 仕上 | | RESTRICTED TO | |
| △ | | A3 00779 C-1612962 | |
| CUSTOMER DRAWING | | SCALE 尺度 2:1 | |
| | | SHEET 1 OF 3 | |
| | | REV C | |

THIS DRAWING IS UNPUBLISHED. RELEASED FOR PUBLICATION
 © COPYRIGHT - By - ALL RIGHTS RESERVED.

| | | | | | | | |
|-----------|-----------|-----------------|-----|-------------|------|-----|------|
| LOC ES | DIST - | REVISIONS 変更 | | | DATE | DWN | APVD |
| | | P | LTR | DESCRIPTION | | | |
| | | | | SEE SHEET 1 | | | |

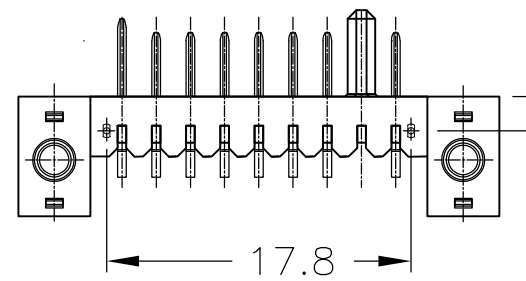
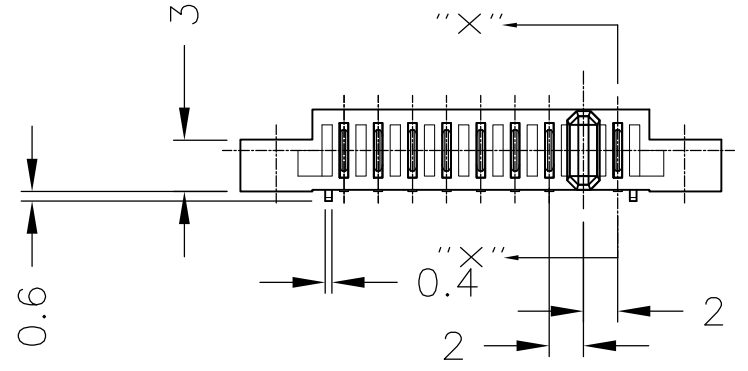
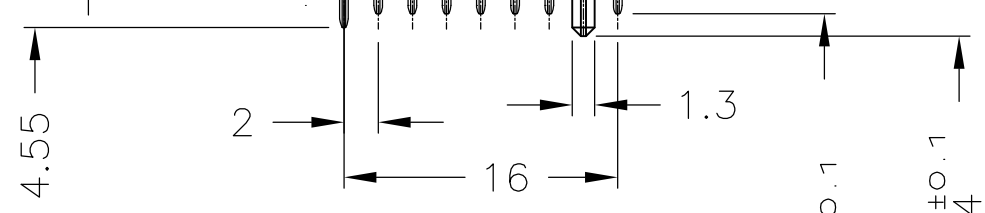
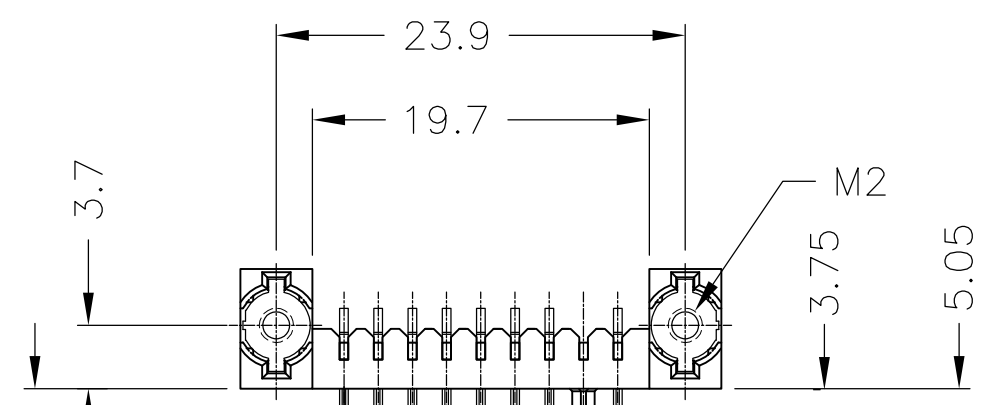
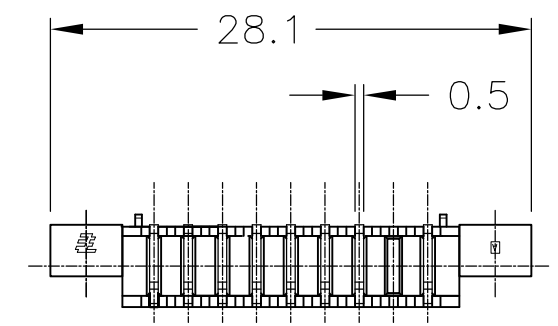
1-1612962-3 : AS SHOWN



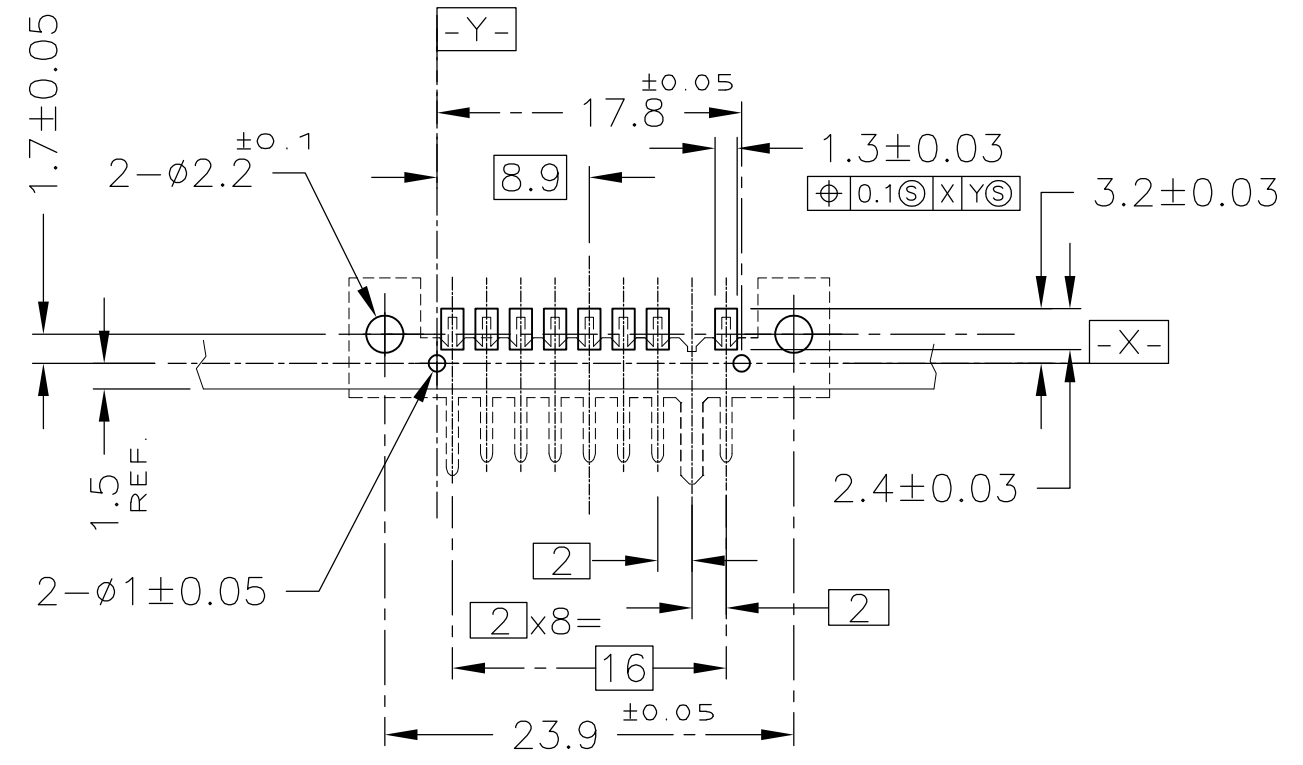
| | | | | | | |
|---|--|----------------------------|--|--------------------|-------------------------------|-----------------|
| THIS DRAWING IS A CONTROLLED DOCUMENT. | | DWN SEE SHEET 1 | TE Connectivity PLUG ASSEMBLY 2mm PITCH BATTERY CONNECTOR | | | |
| DIMENSIONS: 单位: 耗 MM | | CHK | | | | |
| TOLERANCES UNLESS OTHERWISE SPECIFIED: 一般公差 | | APVD | PRODUCT SPEC 製品規格 | | | RESTRICTED TO |
| ϕ -PLC ± 0.3 \dagger -PLC \pm \ddagger -PLC \pm \S -PLC \pm \P -PLC \pm ANGLES $\pm 3'$ | | APPLICATION SPEC 取付適用規格 | SIZE A3 | CAGE CODE 00779 | DRAWING NO 番号 C-1612962 | |
| MATERIAL 材料 | | WEIGHT | CUSTOMER DRAWING | | SCALE 尺度 2:1 | SHEET 2 OF 3 |
| FINISH 仕上 | | | | | REV C | |

THIS DRAWING IS UNPUBLISHED. RELEASED FOR PUBLICATION
 © COPYRIGHT - By - ALL RIGHTS RESERVED.

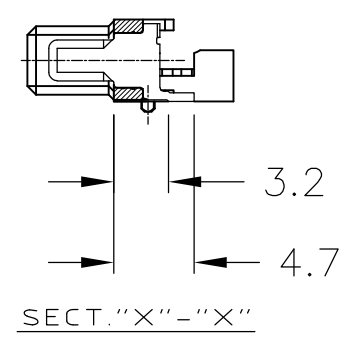
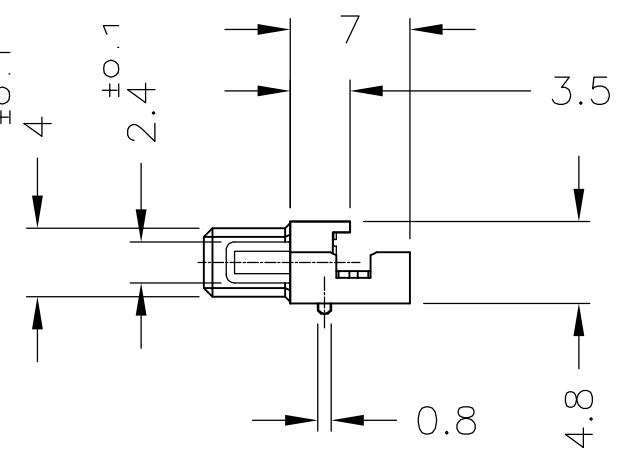
| | | | | | | | |
|-----------|-----------|-----------------|--|--|------|-----|------|
| LOC ES | DIST - | REVISIONS 変更 | | | DATE | DWN | APVD |
| P | LTR | DESCRIPTION | | | | | |
| | | SEE SHEET 1 | | | | | |



3-1612962-3 : AS SHOWN



RECOMMENDED P.C. BOARD LAYOUT
 P.C. BOARD THK 0.8~1.2
 (VIEW FROM CONNECTOR MOUNTING SIDE)



- △ MATERIAL HOUSING : THERMOPLASTIC RESIN, UL94V-0
 COLOR ; BLACK
- CONTACT : COPPER ALLOY
- NUT PLATE : STAINLESS STEEL
- △ FINISH CONTACT : Ni ALL OVER UNDER PL
 GOLD PL. (0.127μm MIN.) AT CONTACT AREA
 Au FLASH PL. AT LEAD AREA

| | | | | | | | |
|--|--------------|----------------------------|----------------------|-------------|-----------|------------------|--|
| THIS DRAWING IS A CONTROLLED DOCUMENT. | | DWN SEE SHEET 1 | TE Connectivity | | | | |
| DIMENSIONS: 単位: 耗 MM | | CHK | | | | NAME 名称 | PLUG ASSEMBLY 2mm PITCH BATTERY CONNECTOR |
| TOLERANCES UNLESS OTHERWISE SPECIFIED: 一般公差 | | APVD | PRODUCT SPEC 製品規格 | SIZE | CAGE CODE | DRAWING NO 番号 | RESTRICTED TO |
| 0-PLC ±0.3 1-PLC ± 2-PLC ± 3-PLC ± 4-PLC ± ANGLES ±3° | | APPLICATION SPEC 取付適用規格 | WEIGHT | A3 | 00779 | C-1612962 | - |
| MATERIAL 材料 | FINISH 仕上 | CUSTOMER DRAWING | | SCALE 尺度 | 2:1 | SHEET 3 OF 3 | REV C |

单击下面可查看定价，库存，交付和生命周期等信息

[>>TE Connectivity\(泰科\)](#)