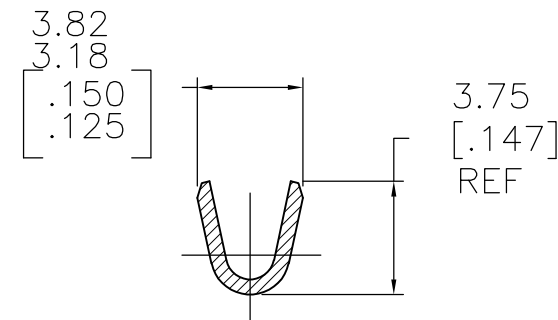
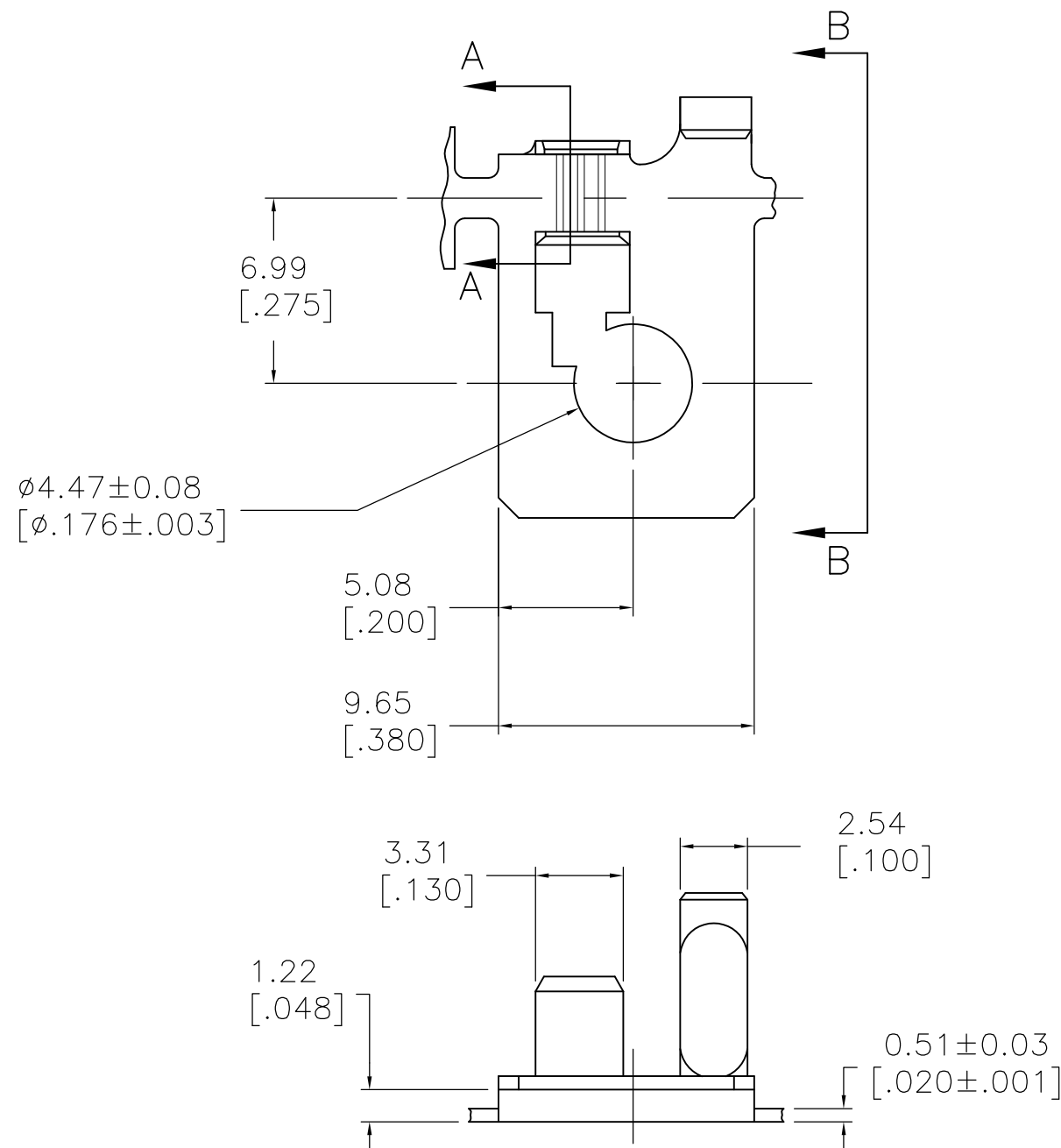


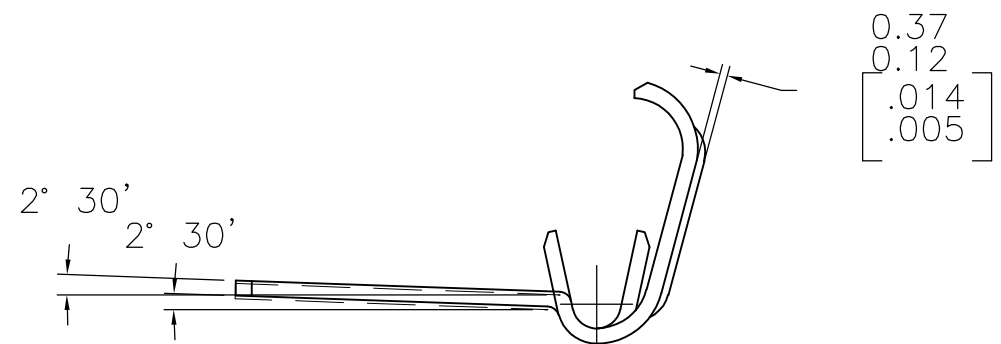
THIS DRAWING IS UNPUBLISHED. RELEASED FOR PUBLICATION
 © COPYRIGHT BY TYCO ELECTRONICS CORPORATION. ALL RIGHTS RESERVED.

LOC	DIST	REVISIONS					
		P	LTR	DESCRIPTION	DATE	DWN	APVD
AF	50		E2	REVISED PER ECR-10-015031	29JUL10	HMR	PD

- 1 CONTINUOUS STRIP ON REELS
- 2 WIRE RANGE IS 18-14 AWG.
- 3 INSULATION RANGE IS 2.54-3.56 [.100-.140] DIA



SECTION A-A



VIEW B-B

61443-1
PART NO

THIS DRAWING IS A CONTROLLED DOCUMENT.		DWN RAGHAVENDRA 16MAY08	Tyco Electronics Corporation Harrisburg, PA 17105-3608	
DIMENSIONS: mm [INCHES]		CHK JEFF RUTH 16MAY08		
TOLERANCES UNLESS OTHERWISE SPECIFIED:		APVD JEFF RUTH 16MAY08	NAME	
0 PLC ± - 1 PLC ± - 2 PLC ± - 3 PLC ± 0.38 [.015] 4 PLC ± - ANGLES ± 1° 0'		PRODUCT SPEC	RING, FLAG	
MATERIAL BRASS		FINISH TIN	APPLICATION SPEC	RESTRICTED TO
		WEIGHT -	SIZE A3	CAGE CODE 00779
		CUSTOMER DRAWING	DRAWING NO C-61443	RESTRICTED TO -
		SCALE 4:1	SHEET 1 OF 1	REV E2

单击下面可查看定价，库存，交付和生命周期等信息

[>>TE Connectivity\(泰科\)](#)