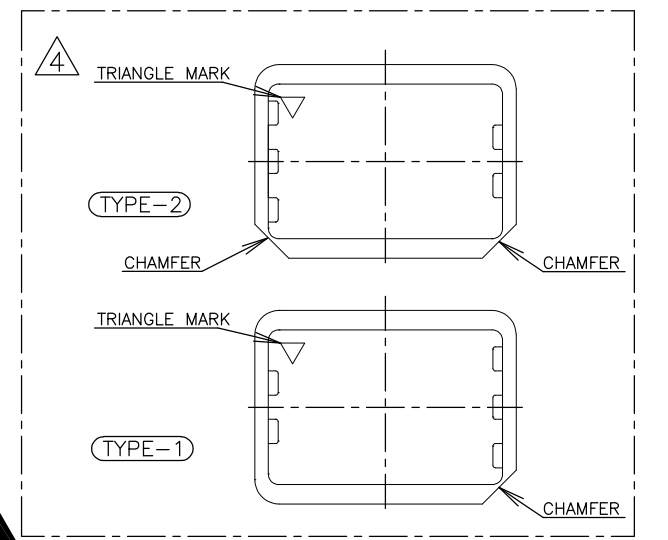
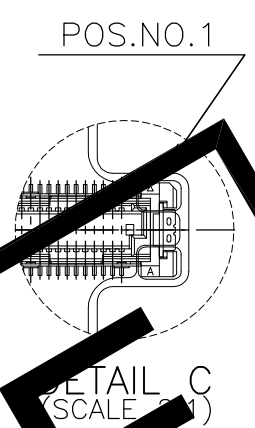
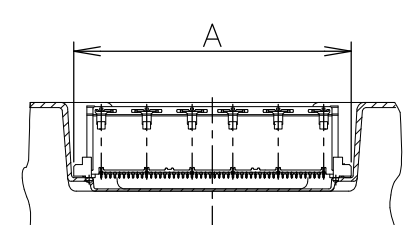
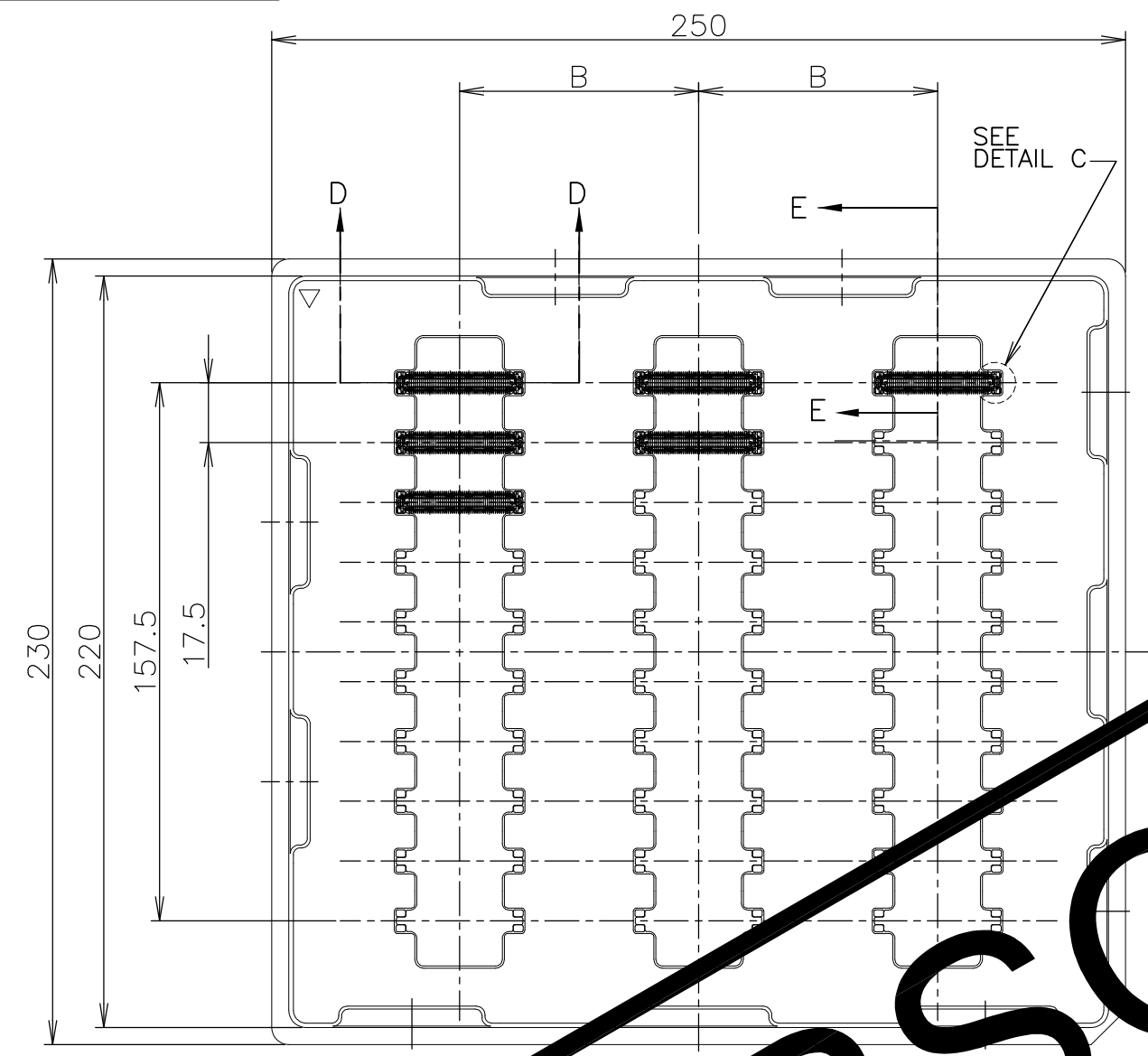


THIS DRAWING IS UNPUBLISHED. RELEASED FOR PUBLICATION JUL ,2008.
 © COPYRIGHT 2008 BY TYCO ELECTRONICS CORPORATION. ALL RIGHTS RESERVED.

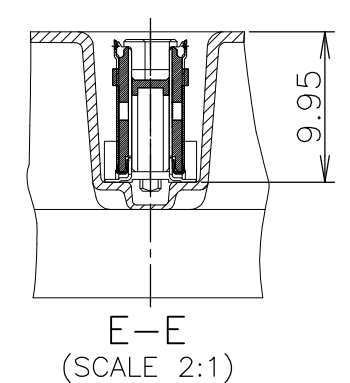
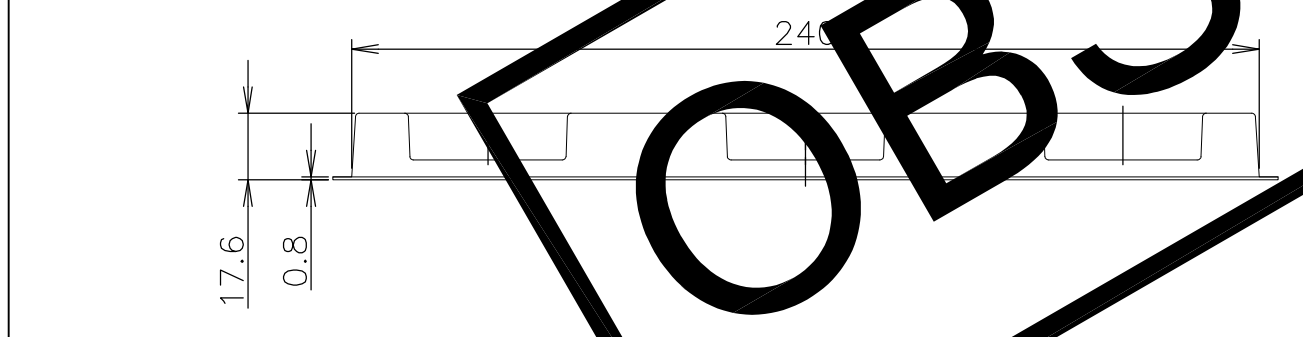
LOC	DIST	REVISIONS					
J		P	LTR	DESCRIPTION	DATE	DWN	APVD
			A	RELEASED	24JUL2008	Y.N	T.F
			B	REVISED PER ECO-17-002393	25MAY17	B.J	S.Y

AS SHOWN: TYPE-1



OBSOLETE

TOOLING STATUS	ROW	QTY	B	A	POS.	TRAY P/N	PART NO.
SEALANT	AVAILABLE	30	70	4.7	160	3-912072-4	6-2069367-1
NON SEALANT	NOT AVAILABLE	↑	↑	48.7	140	7- -2	6- -0
				42.7	120	7- -1	5- -9
				36.7	100	7- -0	5- -8
		3	30	33.7	90	6- -9	5- -7
			50	30.7	80	6- -8	5- -6
				27.7	70	6- -7	5- -5
				24.7	60	6- -6	5- -4
				21.7	50	6- -5	5- -3
				18.7	40	6- -4	5- -2
NON SEALANT	NOT AVAILABLE	5	50	15.7	30	6-912072-3	5-2069367-1
	NOT AVAILABLE	3	30	54.7	160	3-912072-4	1-2069367-1
				48.7	140	7- -2	1- -0
				42.7	120	7- -1	-9
				36.7	100	7- -0	-8
		3	30	33.7	90	6- -9	-7
			50	30.7	80	6- -8	-6
				27.7	70	6- -7	-5
				24.7	60	6- -6	-4
				21.7	50	6- -5	-3
				18.7	40	6- -4	-2
NON SEALANT	NOT AVAILABLE	5	50	15.7	30	6-912072-3	2069367-1



4 TRAY TYPE-1 AND TYPE-2 MUST BE
 REPAIRED UP BY TURNS.
 (REFER TO PACKING SPECIFICATIONS)

GENERAL TOLERANCE
 一般公差
 10 ≥ ±0.2
 30 ≥ >10: ±0.25
 100 ≥ >30: ±0.3
 ANGLES: ±3°

THIS DRAWING IS A CONTROLLED DOCUMENT.

DIMENSIONS: 单位: 耗 mm

TOLERANCES UNLESS OTHERWISE SPECIFIED: 一般公差

0 PLC ± -
 1 PLC ± -
 2 PLC ± -
 3 PLC ± -
 4 PLC ± -
 ANGLES ± -

MATERIAL 材料

FINISH 仕上

Y. NAKAZAWA 24JUL2008
 T. FUTATSUGI 24JUL2008
 T. FUTATSUGI 24JUL2008

Tyco Electronics Corporation
 Kawasaki, Japan

SOFT TRAY ASSY
 FH 0.6BTB CONNECTOR
 PLUG 10H W/G-PLATE Au-PLATED 0.00076mm

108-60047
 114-5255

A3 00779 C-2069367

CUSTOMER DRAWING SCALE 1:2 SHEET 1 OF 3 REV B

THIS DRAWING IS UNPUBLISHED. RELEASED FOR PUBLICATION JUL ,2008.
 © COPYRIGHT 2008 BY TYCO ELECTRONICS CORPORATION. ALL RIGHTS RESERVED.

LOC	DIST	REVISIONS					
J		P	LTR	DESCRIPTION	DATE	DWN	APVD
		-		SEE SHEET 1	-	-	-



AVAILABLE	51.8	50.6	54.7	50	47.4	160
NOT AVAILABLE	45.8	44.6	48.7	44	41.4	140
	39.8	38.6	42.7	38	35.4	120
	33.8	32.6	36.7	32	29.4	100
	30.8	29.6	33.7	29	26.4	90
	27.8	26.6	30.7	26	23.4	80
	24.8	23.6	27.7	23	20.4	70
	21.8	20.6	24.7	20	17.4	60
	19.8	17.6	21.7	17	14.4	50
	15.8	14.6	18.7	14	11.4	40
NOT AVAILABLE	12.8	11.6	15.7	11	8.4	30
TOOLING STATUS	K	J	H	G	F	POS

REFERENCE P.C BOARD LAYOUT

GENERAL TOLERANCE
一般公差

10 ≥	±0.2
30 ≥	>10: ±0.25
100 ≥	>30: ±0.3
ANGLES: ±3°	

THIS DRAWING IS A CONTROLLED DOCUMENT.

DIMENSIONS: 单位: 耗 mm	TOLERANCES UNLESS OTHERWISE SPECIFIED: 一般公差	DWN	Tyco Electronics Corporation Kawasaki, Japan	
	0 PLC ± - 1 PLC ± - 2 PLC ± - 3 PLC ± - 4 PLC ± - ANGLES ± -	CHK	NAME 名称	
MATERIAL 材料	FINISH 仕上	APVD	SOFT TRAY ASSY FH 0.6BTB CONNECTOR PLUG 10H W/G-PLATE Au-PLATED 0.00076mm	
		PRODUCT SPEC 製品規格	SIZE	CAGE CODE
		APPLICATION SPEC 取付適用規格	A3	00779
		WEIGHT	DRAWING NO 番号	RESTRICTED TO
			G-2069367	
		CUSTOMER DRAWING	SCALE 尺度 4:1	SHEET 2 OF 3
				REV B

THIS DRAWING IS UNPUBLISHED. RELEASED FOR PUBLICATION JUL ,2008.
 © COPYRIGHT 2008 BY TYCO ELECTRONICS CORPORATION. ALL RIGHTS RESERVED.

LOC	DIST	REVISIONS 変更					
J		P	LTR	DESCRIPTION	DATE	DWN	APVD
			-	SEE SHEET 1	-	-	-



- ① MATERIAL ; HOUSING : HIGH TEMP THERMO PLASTIC
UL94V-0
CONTACT : COPPER ALLOY
- ② FINISH ; UNDER PL Ni 0.0013mm MIN ALL OVER.
CONTACT AREA 0.00076 MIN Au PL.
SOLDERING AREA 0.001 MIN TIN PL.
- ③ THIS POSITION IS GROUND CIRCUIT.

THIS DRAWING IS A CONTROLLED DOCUMENT.		DWN	Tyco Electronics Corporation Kawasaki, Japan	
DIMENSIONS: 単位: 耗 mm		CHK	NAME 名称	
TOLERANCES UNLESS OTHERWISE SPECIFIED: 一般公差		APVD	SOFT TRAY ASSY FH 0.6BTB CONNECTOR PLUG 10H W/G-PLATE Au-PLATED 0.00076mm	
0 PLC ± - 1 PLC ± - 2 PLC ± - 3 PLC ± - 4 PLC ± - ANGLES ± -		PRODUCT SPEC 製品規格	SIZE	RESTRICTED TO
GENERAL TOLERANCE 一般公差		APPLICATION SPEC 取付適用規格	CAGE CODE	DRAWING NO 番号
10 ≥ : ±0.2 30 ≥ >10 : ±0.25 100 ≥ >30 : ±0.3 ANGLES : ±3°		WEIGHT	A3 00779	G-2069367
MATERIAL 材料		CUSTOMER DRAWING		SCALE 尺度 3:1
		SHEET 3 OF 3		REV B

单击下面可查看定价，库存，交付和生命周期等信息

[>>TE Connectivity\(泰科\)](#)