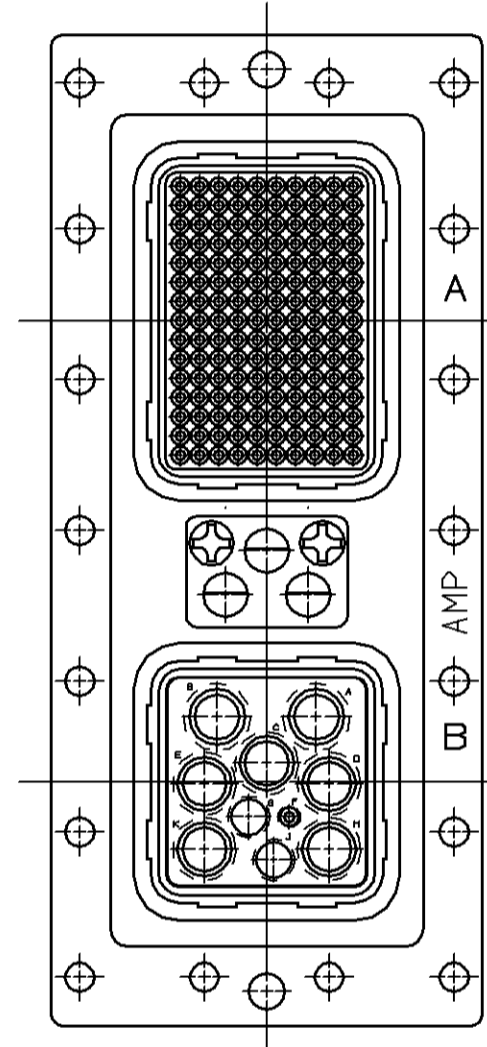
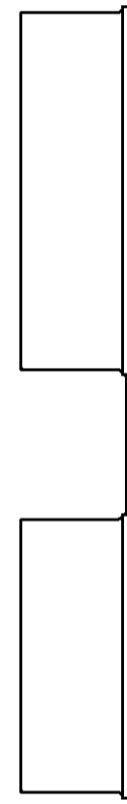
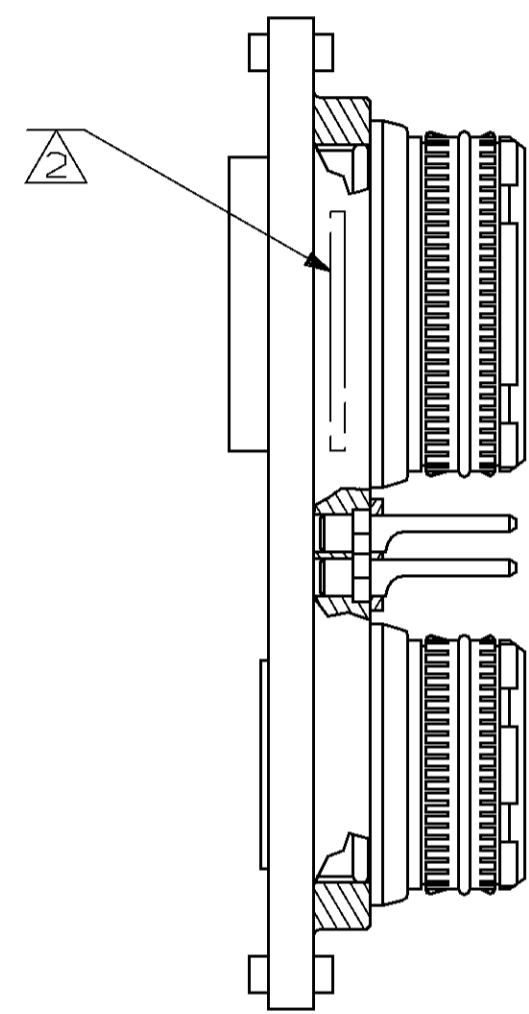
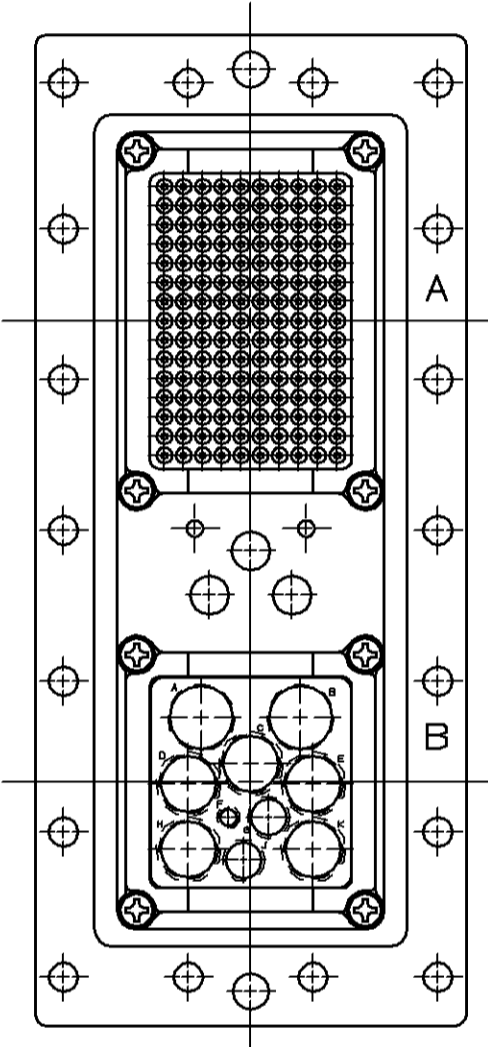


THIS DRAWING IS UNPUBLISHED. RELEASED FOR PUBLICATION, 19 .  
 © COPYRIGHT 19 BY AMP INCORPORATED. ALL INTERNATIONAL RIGHTS RESERVED.

PROD CODE	LOC	DIST	P	F	ZONE	LTR	DESCRIPTION	DATE	APPD
5993	DF	AO					RELEASED CT	1-96	AS



- KEYS AND HARDWARE ARE SHIPPED UNASSEMBLED IN A POLY BAG.
- AMP, AMP PART NO. AND DATE CODE INK STAMPED IN AREA SHOWN.
- CONTACTS ARE NOT INCLUDED IN THIS ASSEMBLY. MUST BE ORDERED SEPARATELY.

DO NOT SCALE PRINT. UNLESS SPECIFIED DIMENSIONS IN INCHES [mm]		DR 1-29-96 C.C. THOMAS		AMP INCORPORATED Harrisburg, Pa. 17105	
TOLERANCES ON :		CHK 2-5-96 A. SHARPE			
2 PLC DEC ± _____		APPD 2-5-96 A. SHARPE		NAME	
3 PLC DEC ± _____		RLSE 2-5-96 C.C. THOMAS		ASSEMBLY, PLUG, M600, SIZE 2A	
ANGLES ± _____		PRODUCT SPEC		SIZE	
MATERIAL _____		APPLICATION SPEC		CAGE CODE	
FINISH _____		WEIGHT -		DRAWING NO	
				447432	
				SCALE 1:1	
				SHEET 1 OF 1	

447432-1

PART NO

单击下面可查看定价，库存，交付和生命周期等信息

[>>TE Connectivity\(泰科\)](#)