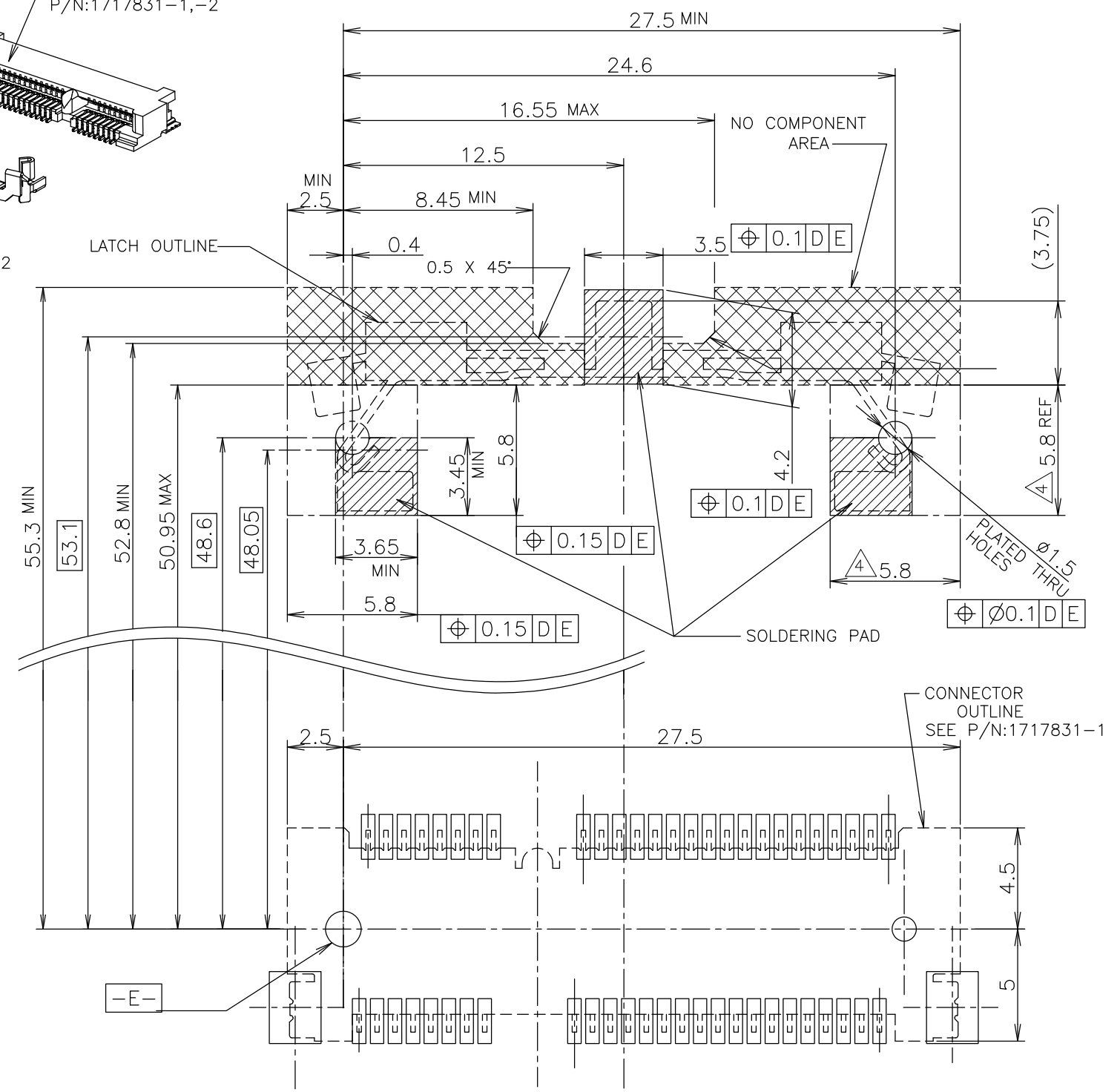
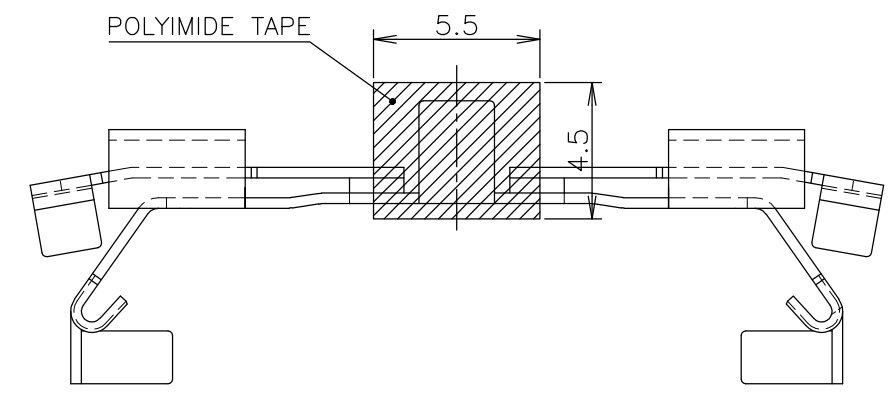
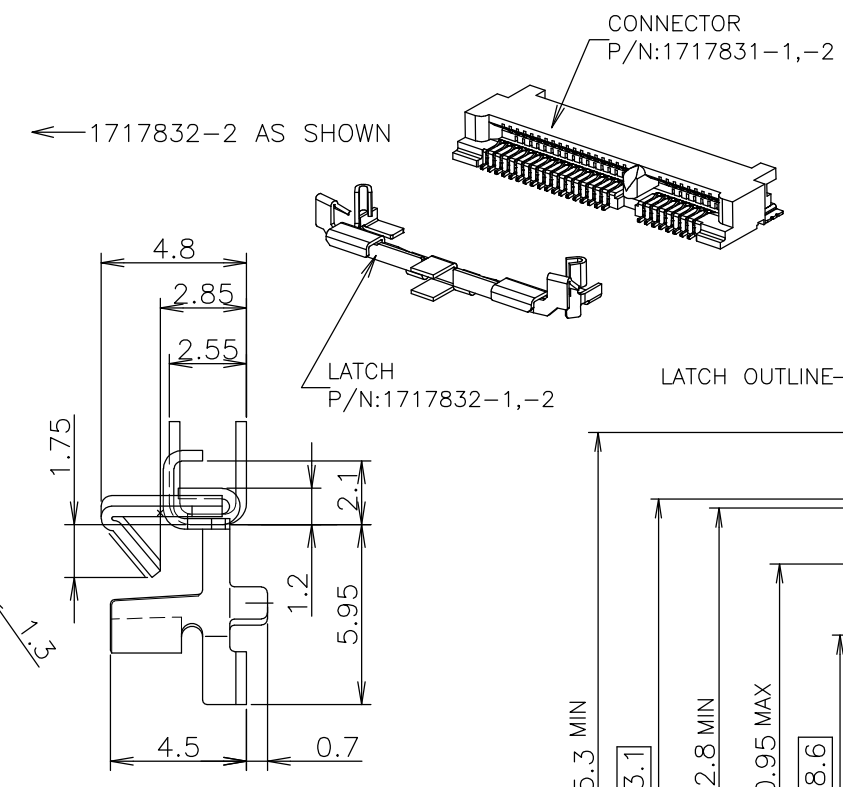
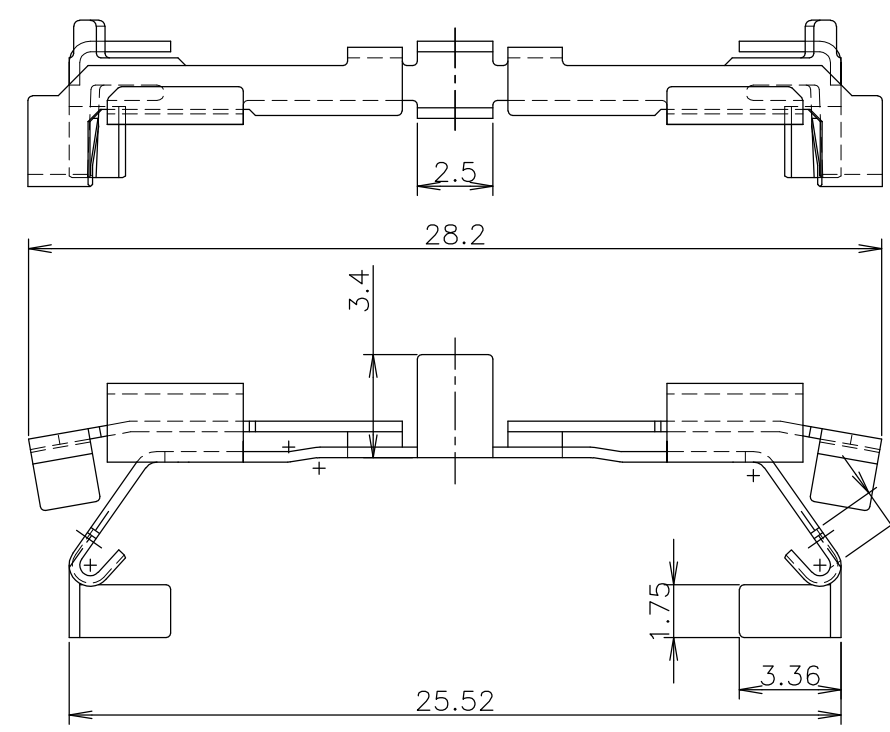


THIS DRAWING IS UNPUBLISHED. RELEASED FOR PUBLICATION OCT ,2003.  
 © COPYRIGHT 2003 By - ALL RIGHTS RESERVED.

| LOC | DIST | REVISIONS     |           |     |      |
|-----|------|---------------|-----------|-----|------|
| P   | LTR  | DESCRIPTION   | DATE      | DWN | APVD |
| J   |      |               |           |     |      |
| E   |      | ECR-14-001999 | 11FEB2014 | W.W | C.W  |



NOTE  
 1. MATERIAL : COPPER ALLOY  
 2. FINISH : TIN PLATING ALL OVER NICKEL  
 3. [D] IS THE TOP SURFACE OF PCB.  
 4. COMPONENT KEEP OUT AREA BASED ON MINI PCI EXPRESS SPECIFICATION 1.0 CANDIDATE DRAFT (v1)

|                                       |       |
|---------------------------------------|-------|
| TOLERANCES UNLESS OTHERWISE SPECIFIED |       |
| 10 ≥                                  | ±0.2  |
| 30 ≥ >10                              | ±0.25 |
| 100 ≥ >10                             | ±0.3  |
| ANGLES : ±3°                          |       |

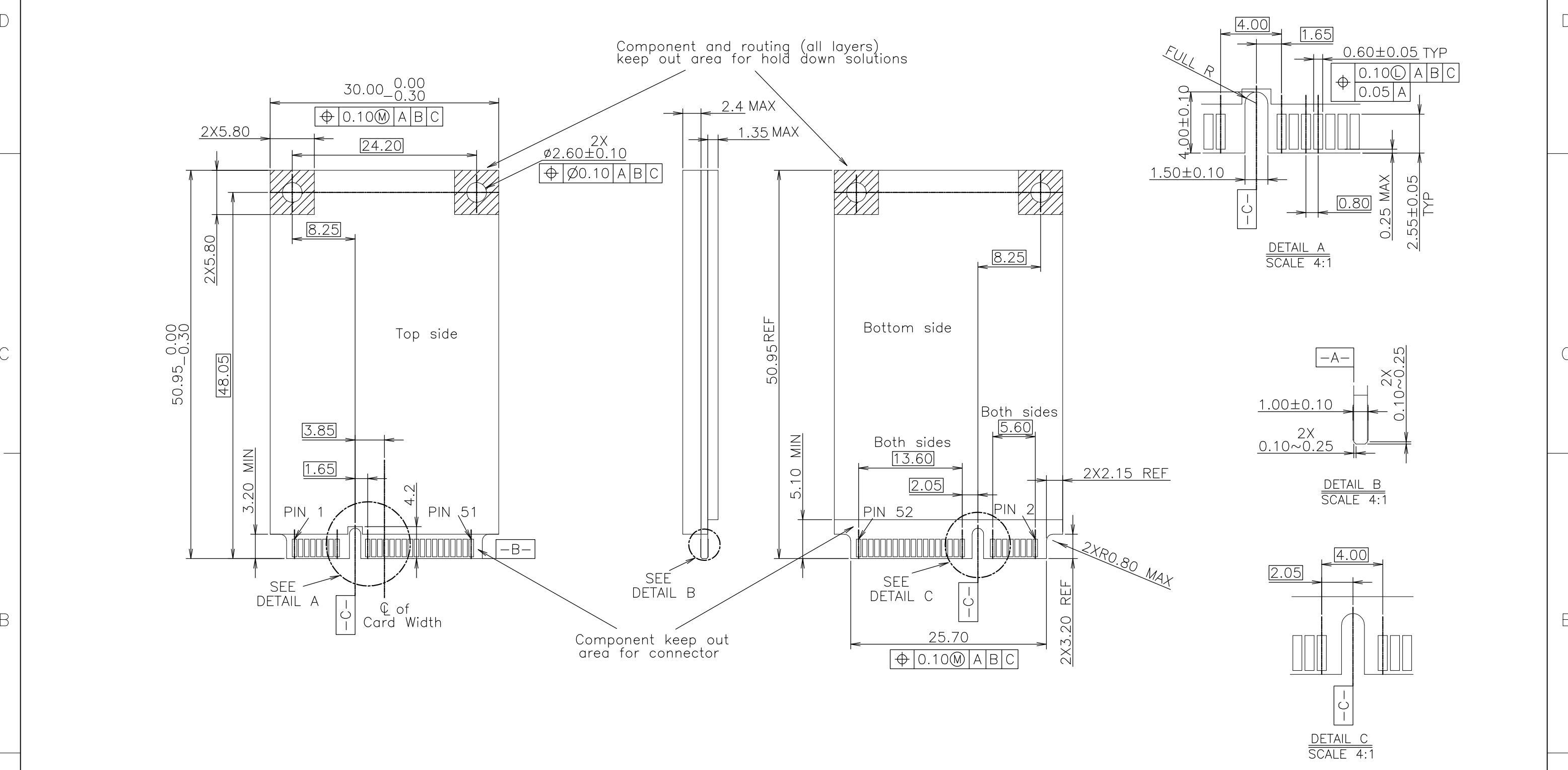
|  |  |
|--|--|
| THIS DRAWING IS A CONTROLLED DOCUMENT. |  |
| DIMENSIONS:<br>MM                      | TOLERANCES UNLESS OTHERWISE SPECIFIED: |
|  | 0 PLC ±                                |
|  | 1 PLC ±                                |
|  | 2 PLC ±                                |
|  | 3 PLC ±                                |
| MATERIAL<br>SEE NOTE                   | 4 PLC ±                                |
|  | ANGLES ±                               |
|  | FINISH<br>SEE NOTE                     |

|                  |            |         |
|------------------|------------|---------|
| DWN              | J.TANIGAWA | 100CT03 |
| CHK              | Y.YAMAMOTO | 100CT03 |
| APVD             | Y.YAMAMOTO | 100CT03 |
| PRODUCT SPEC     | 108-5899   |         |
| APPLICATION SPEC | 0.6g       |         |
| WEIGHT           | 0.6g       |         |

|                  |           |   |               |
|------------------|-----------|---|---------------|
| TE Connectivity  |           | NAME  |               |
|                  |           | SEMI HARD TRAY & EMBOSS TAPE SUPPLY<br>MINI PCI EXPRESS CONNECTOR LATCH |               |
| SIZE             | CAGE CODE | DRAWING NO  | RESTRICTED TO |
| A3               | 00779     | C-1717832   |               |
| CUSTOMER DRAWING |           | SCALE   | SHEET         |
|                  |           | 4:1   | 1 OF 4        |
|                  |           | REV   | E             |

THIS DRAWING IS UNPUBLISHED. RELEASED FOR PUBLICATION OCT ,2003.  
 © COPYRIGHT 2003 By - ALL RIGHTS RESERVED.

| LOC | DIST | REVISIONS   |      |     |      |
|-----|------|-------------|------|-----|------|
| P   | LTR  | DESCRIPTION | DATE | DWN | APVD |
| J   |      | SEE SHEET 1 | -    | -   | -    |

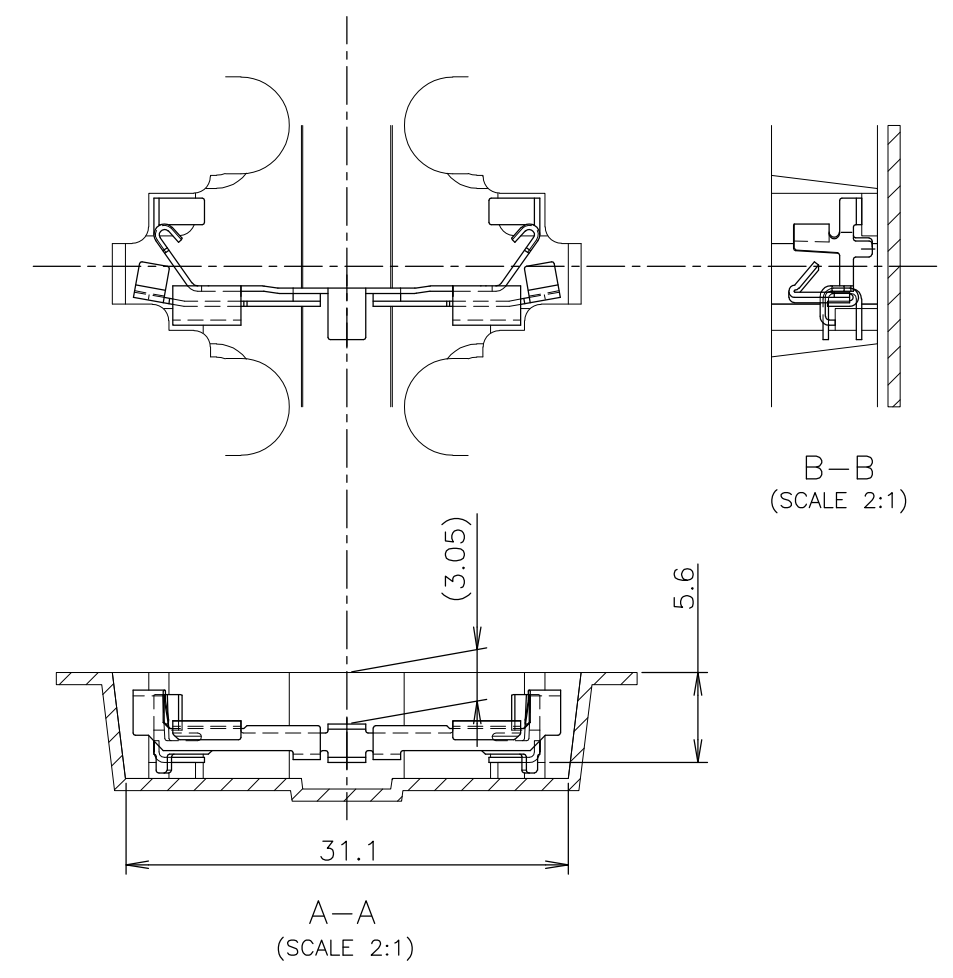
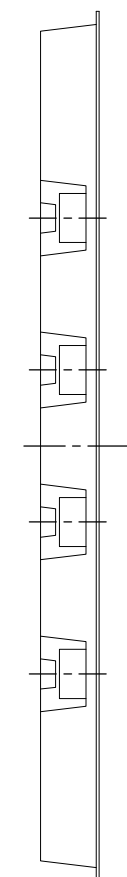
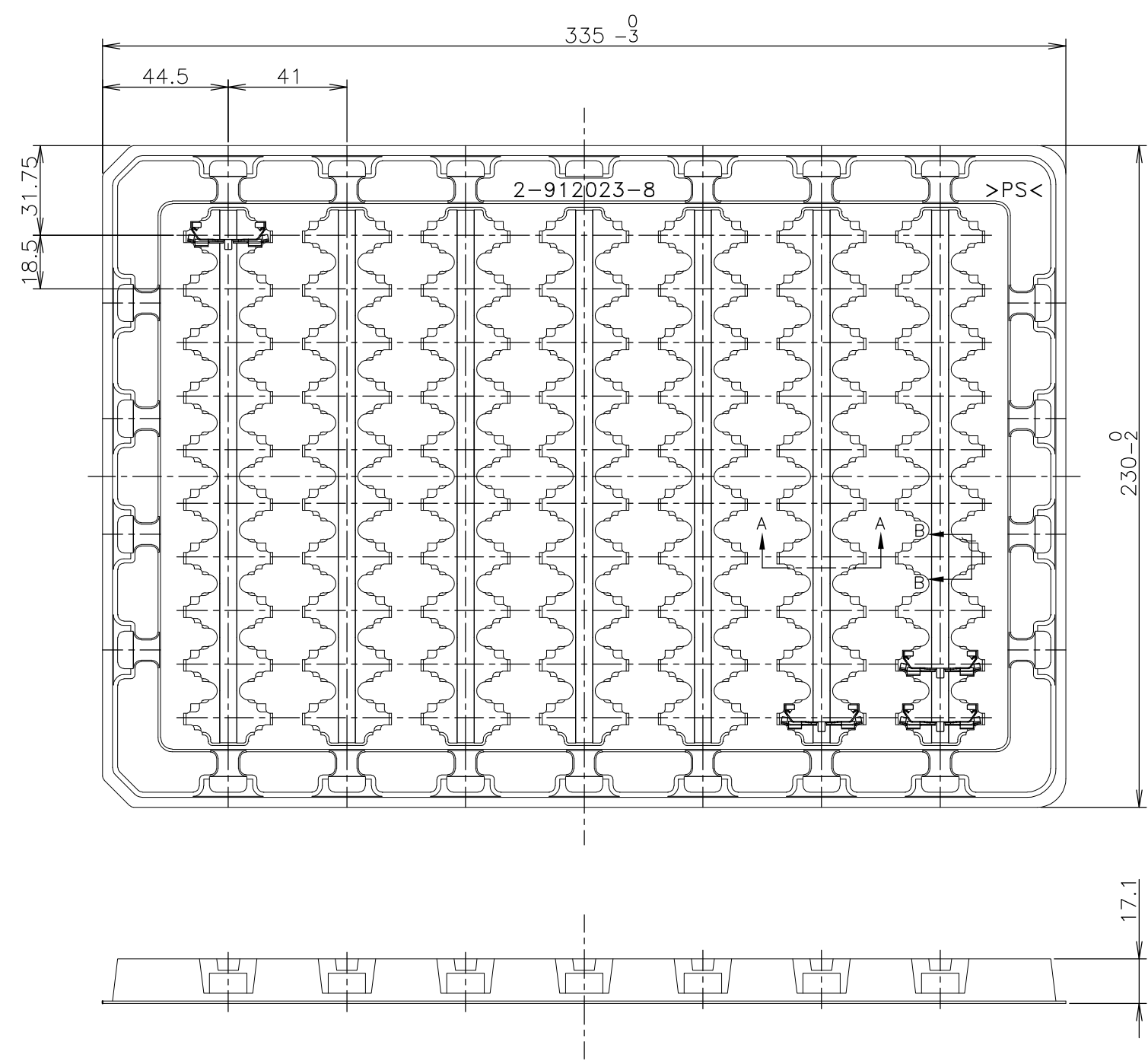


NOTES  
 1. PCI EXPRESS MINI CARD, PCB THICKNESS 1.0MM.  
 2. CARD THICKNESS APPLIES ACROSS TABS AND INCLUDES PLATING AND/OR METALIZATION.  
 3. BEVEL MUST BE FREE OF CUTTING BURRS.

|  |  |                  |  |                                     |  |
|--|--|------------------|--|-------------------------------------|--|
| THIS DRAWING IS A CONTROLLED DOCUMENT. |  | DWN              |  | <b>STE</b> TE Connectivity          |  |
| DIMENSIONS: MM                         |  | CHK              |  |                                     |  |
| TOLERANCES UNLESS OTHERWISE SPECIFIED: |  | APVD             |  | NAME                                |  |
| 0 PLC ±                                |  | PRODUCT SPEC     |  | SEMI HARD TRAY & EMBOSS TAPE SUPPLY |  |
| 1 PLC ±                                |  | 108-5899         |  | MINI PCI EXPRESS CONNECTOR LATCH    |  |
| 2 PLC ±                                |  | APPLICATION SPEC |  | SIZE                                |  |
| 3 PLC ±                                |  | WEIGHT           |  | CAGE CODE                           |  |
| 4 PLC ±                                |  | CUSTOMER DRAWING |  | DRAWING NO                          |  |
| ANGLES ±                               |  | SCALE 2:1        |  | A3 00779 C-1717832                  |  |
| FINISH                                 |  | SHEET 2 OF 4     |  | RESTRICTED TO                       |  |
|  |  | REV E            |  |                                     |  |

THIS DRAWING IS UNPUBLISHED. RELEASED FOR PUBLICATION OCT , 2003.  
 © COPYRIGHT 2003 By - ALL RIGHTS RESERVED.

| LOC | DIST | REVISIONS   |      |     |      |
|-----|------|-------------|------|-----|------|
| P   | LTR  | DESCRIPTION | DATE | DWN | APVD |
| J   | /    | SEE SHEET 1 | -    | -   | -    |



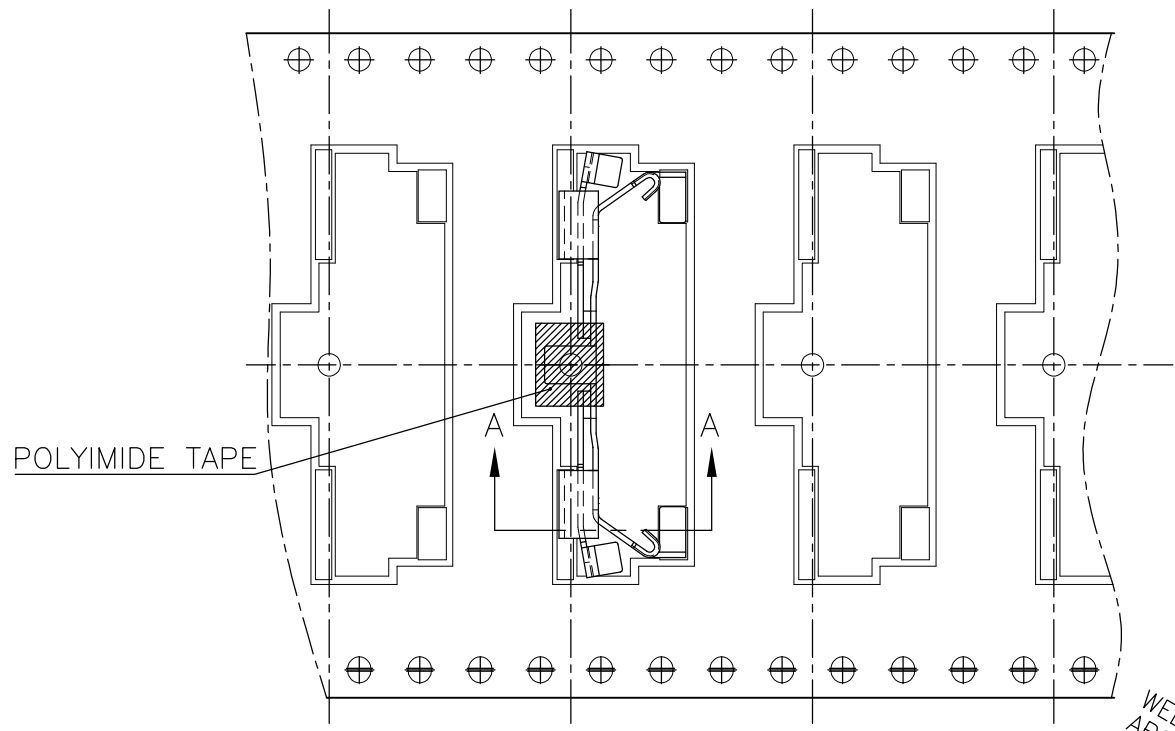
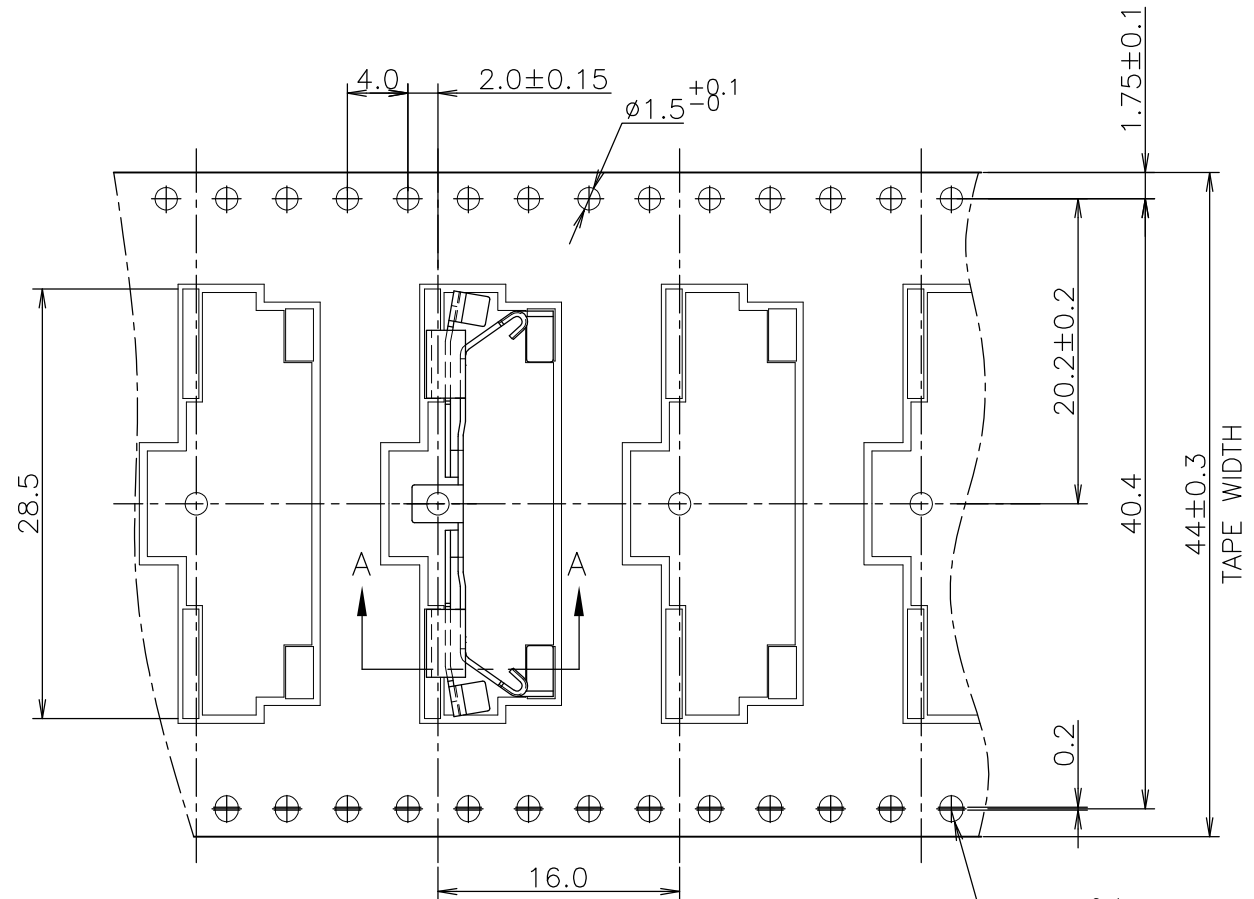
NOTE  
 1. THE DIRECTION OF EACH LATCH ON A TRAY IS REFERRED TO THIS DWG.

|           |            |           |
|-----------|------------|-----------|
| 70EA/TRAY | 2-912023-8 | 1717832-1 |
| QTY       | TRAY P/N   | P/N       |

|   |  |                          |  |      |           |            |               |
|---|--|--------------------------|--|------|-----------|------------|---------------|
| THIS DRAWING IS A CONTROLLED DOCUMENT.                                      |  | DWN                      | TE Connectivity<br>NAME<br>SEMI HARD TRAY & EMBOSS TAPE SUPPLY<br>MINI PCI EXPRESS CONNECTOR LATCH |      |           |            |               |
| DIMENSIONS: MM  |  | CHK                      |  |      |           |            |               |
| TOLERANCES UNLESS OTHERWISE SPECIFIED:                                      |  | APVD                     |  |      |           |            |               |
| 0 PLC ±<br>1 PLC ±<br>2 PLC ±<br>3 PLC ±<br>4 PLC ±<br>ANGLES ±<br>FINISH ± |  | PRODUCT SPEC<br>108-5899 |  |      |           |            |               |
| TOLERANCES UNLESS OTHERWISE SPECIFIED ±0.5                                  |  | MATERIAL                 | APPLICATION SPEC   | SIZE | CAGE CODE | DRAWING NO | RESTRICTED TO |
|   |  |                          | WEIGHT   | A3   | 00779     | C-1717832  |               |
| CUSTOMER DRAWING  |  |                          | SCALE  | NTS  | SHEET     | 3 OF 4     | REV E         |

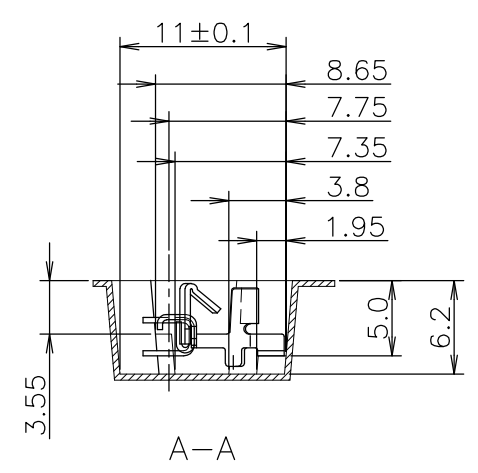
THIS DRAWING IS UNPUBLISHED. RELEASED FOR PUBLICATION OCT., 2003.  
 © COPYRIGHT 2003 By - ALL RIGHTS RESERVED.

| LOC | DIST | REVISIONS   |      |     |      |
|-----|------|-------------|------|-----|------|
| P   | LTR  | DESCRIPTION | DATE | DWN | APVD |
| J   |      | SEE SHEET 1 | -    | -   | -    |

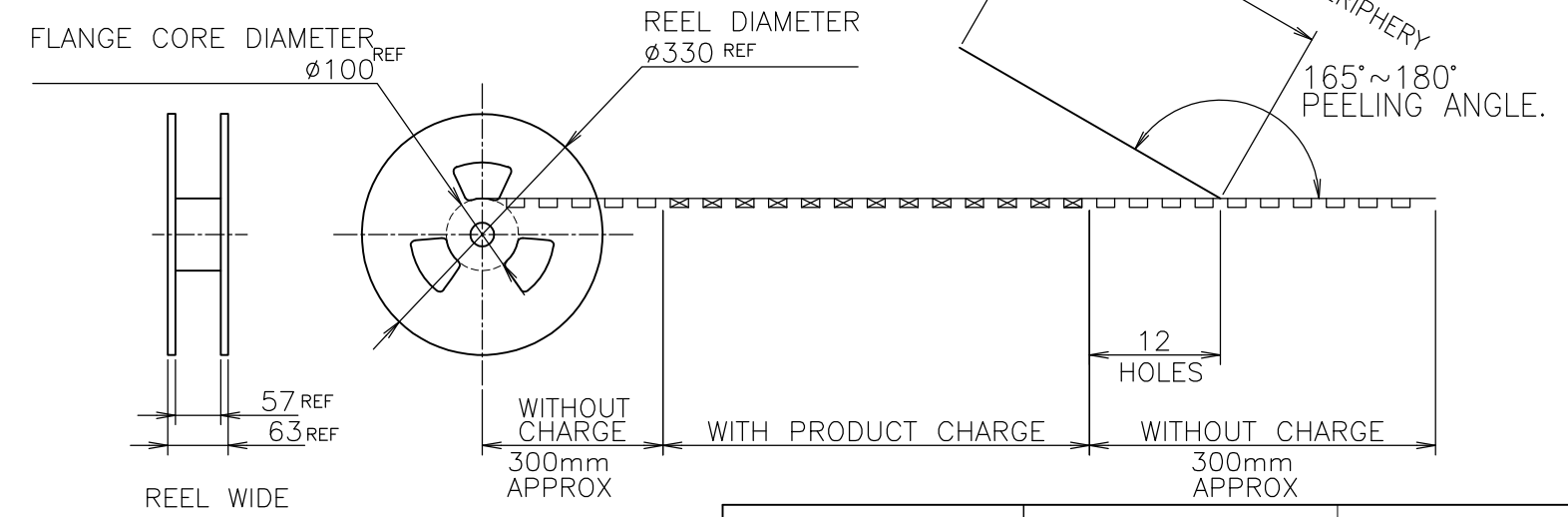


1717832-2 AS SHOWN

1717832-3 AS SHOWN



TOP OF REEL →



|          |                 |           |
|----------|-----------------|-----------|
| 500EA    | 6-912103-0      | 1717832-3 |
| 500EA    | 6-912103-0      | 1717832-2 |
| QTY/REEL | EMBOSS TAPE P/N | P/N       |

1 PEELING RESISTANCE : 0.1N~1.3N  
 (10gf~130gf)  
 SPEED : 300mm/min

|   |  |                  |  |           |            |               |  |  |
|---|--|------------------|--|-----------|------------|---------------|--|--|
| THIS DRAWING IS A CONTROLLED DOCUMENT.                                    |  | DWN              | TE Connectivity<br>NAME<br>SEMI HARD TRAY & EMBOSS TAPE SUPPLY<br>MINI PCI EXPRESS CONNECTOR LATCH |           |            |               |  |  |
| DIMENSIONS: MM  |  | CHK              |  |           |            | APVD          |  |  |
| TOLERANCES UNLESS OTHERWISE SPECIFIED:                                    |  | PRODUCT SPEC     |  |           |            | 108-5899      |  |  |
| MATERIAL  |  | APPLIC. SPEC     |  |           |            | 108-5899      |  |  |
| 0 PLC ±<br>1 PLC ±<br>2 PLC ±<br>3 PLC ±<br>4 PLC ±<br>ANGLES ±<br>FINISH |  | WEIGHT           | SIZE   | CAGE CODE | DRAWING NO | RESTRICTED TO |  |  |
|   |  | CUSTOMER DRAWING | A3   | 00779     | C-1717832  | -             |  |  |
|   |  | SCALE            | 2:1  | SHEET     | 4 OF 4     | REV E         |  |  |

单击下面可查看定价，库存，交付和生命周期等信息

[>>TE Connectivity\(泰科\)](#)