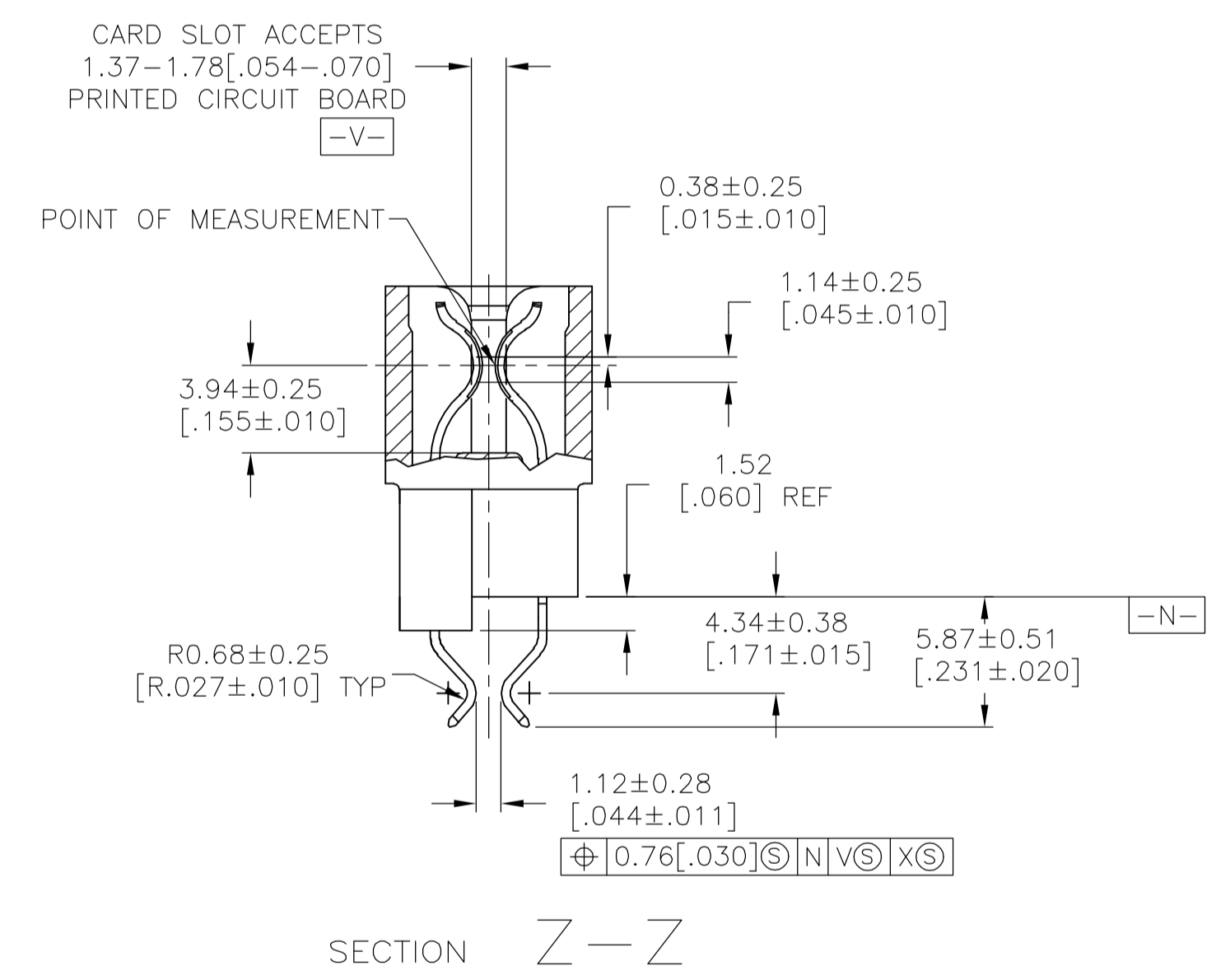
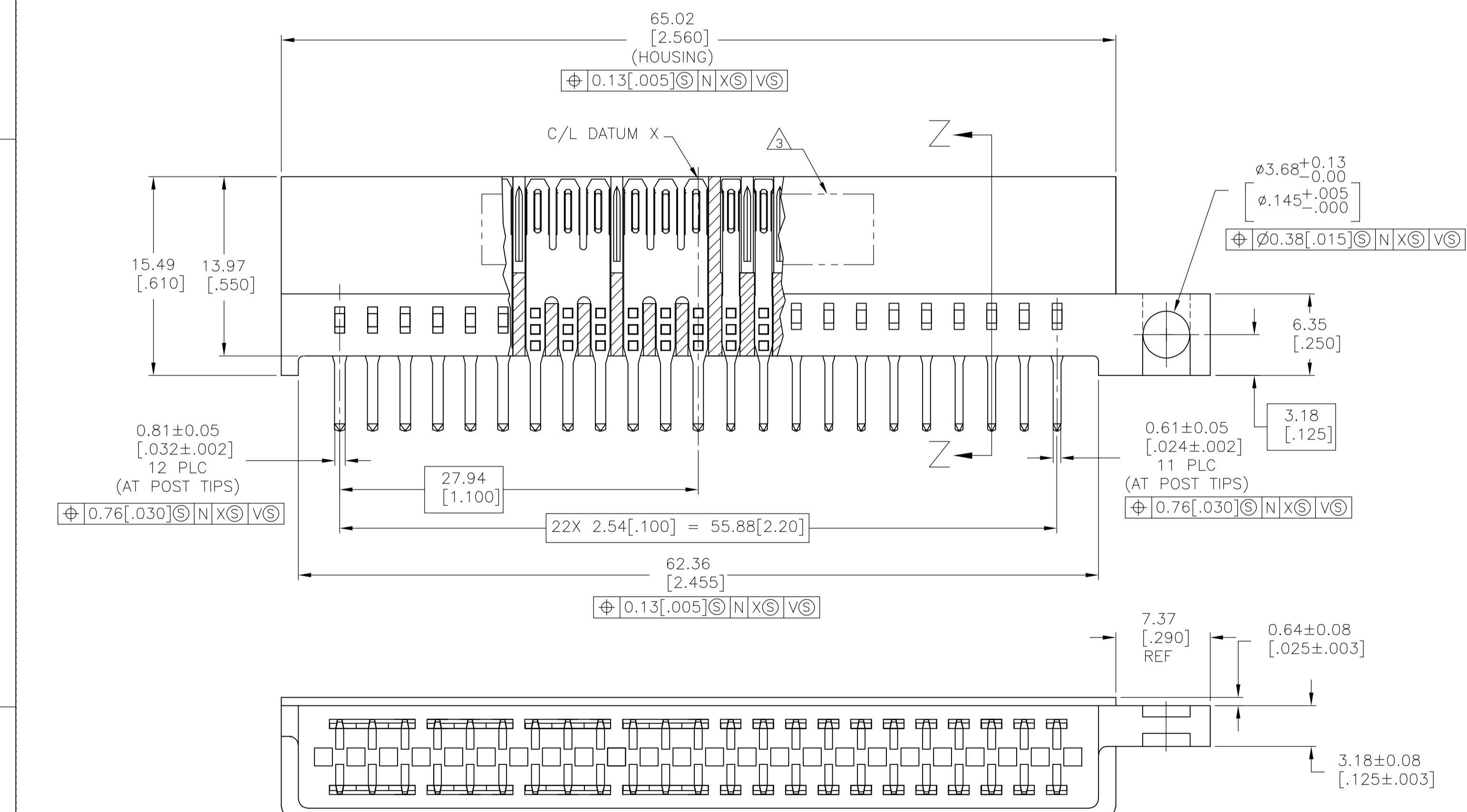


- △ HOUSING MATERIAL: GLASS FILLED POLYESTER, COLOR: BLACK
- △ CONTACT FINISH: NICKEL PLATE, .00127 [.000050] MIN, ALL OVER
 MATTE TIN PLATE, .00254 [.000100] MIN ON SOLDER POSTS,
 GOLD PLATE, .00076 [.000030] MIN IN MATING INTERFACE
- △ AMP PART NUMBER AND DATE CODE MARKED IN APPROXIMATE AREA SHOWN
- △ NO BURRS AND/OR SHARP EDGES ARE PERMISSABLE

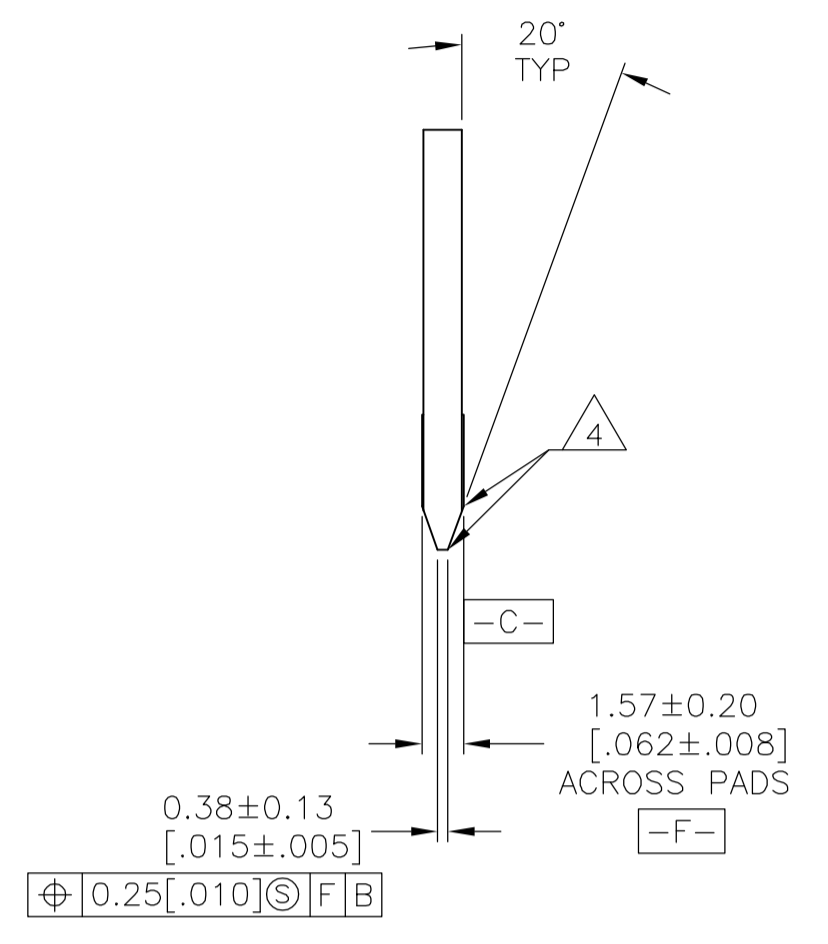
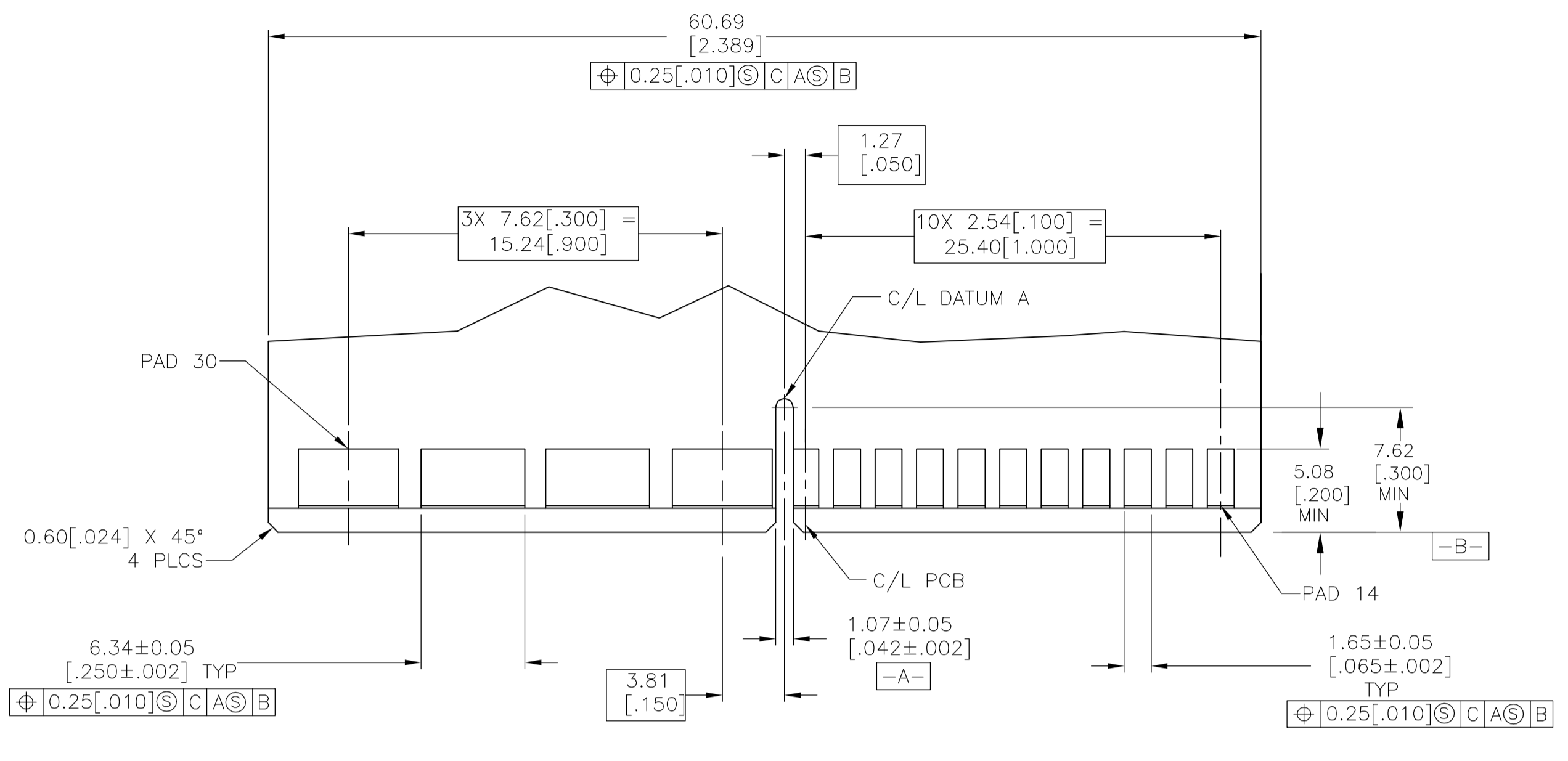


11	4	1888143-1
NO OF SINGLE POSITIONS	NO OF MULTIPLE POSITIONS	PART NUMBER

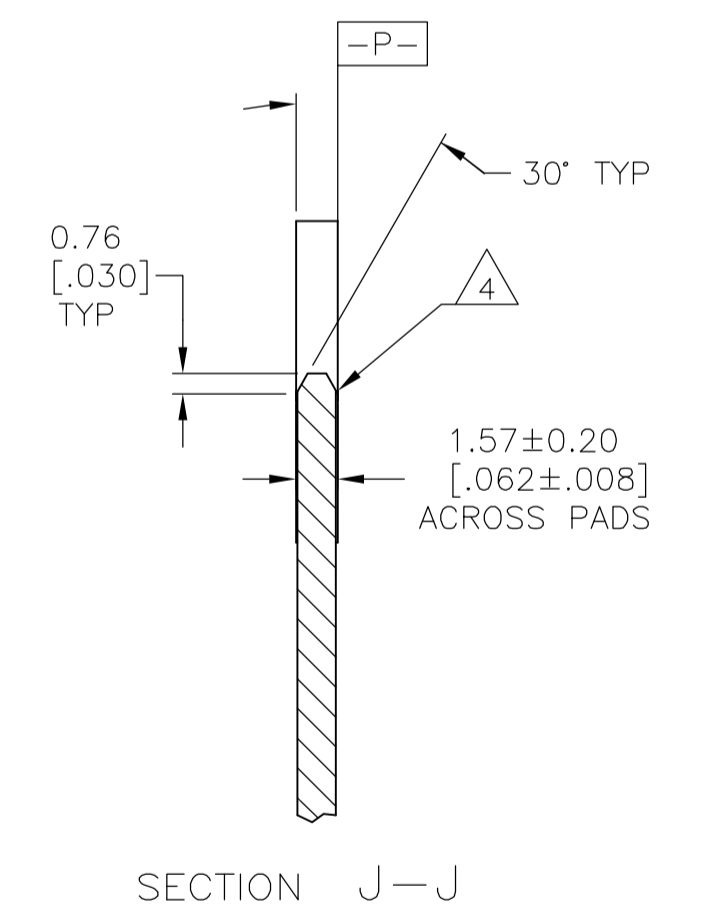
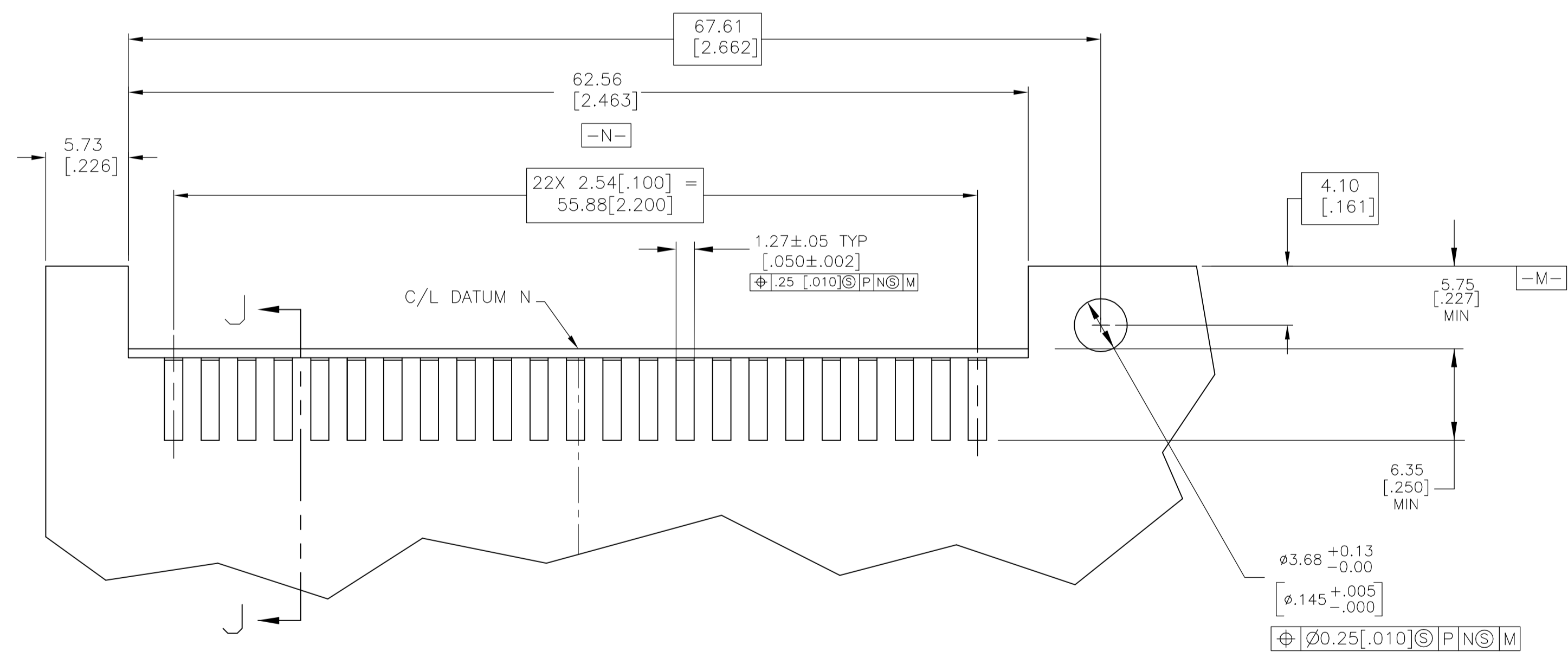
THIS DRAWING IS A CONTROLLED DOCUMENT.

DIMENSIONS: MM (inches)	TOLERANCES UNLESS OTHERWISE SPECIFIED: 0 PLC ± - 1 PLC ± - 2 PLC ± 0.13 [.005] 3 PLC ± - 4 PLC ± - ANGLES ± 1°	APVD: S. FLICKINGER DATE: 22JUNE2006	NAME: FRANTUM	DATE: 22JUNE2006	tyco Electronics	Tyco Electronics Corporation Harrisburg, PA 17105-3608
MATERIAL: SEE NOTE 1	FINISH: SEE NOTE 2	WEIGHT: -	SIZE: A1	SCALE: 4:1	CAGE CODE: 00779	DRAWING NO: 1888143
CUSTOMER DRAWING		RESTRICTED TO		SHEET 1 OF 2		

CONNECTOR ASSEMBLY, SEC II POWER CARD EDGE, DUAL POSITION, 2.54 [.100] CENTERLINE



RECOMMENDED MATING BOARD EDGE CONFIGURATION
 TYP BOTH SIDES



RECOMMENDED PC BOARD LAYOUT FOR CONNECTOR MOUNTING
 TYP BOTH SIDES

THIS DRAWING IS A CONTROLLED DOCUMENT.		DN: AL FRANTUM / A.MAYER 22JUNE2006	Tyco Electronics Corporation Harrisburg, PA 17105-3608	
DIMENSIONS: MM		CHK: AL FRANTUM 22JUNE2006	NAME: AL FRANTUM	
TOLERANCES UNLESS OTHERWISE SPECIFIED:		APVD: S. FLICKINGER 22JUNE2006	PRODUCT SPEC: 108-2202	
0 PLC ± -		APPLICATION SPEC: -		
1 PLC ± -		SIZE: A1		
2 PLC ± 0.25 [0.010]		CAGE CODE: 00779		
3 PLC ± -		DRAWING NO: 1888143		
4 PLC ± -		RESTRICTED TO: -		
ANGLES ± 1°		SCALE: 4:1		
FINISH: SEE SHEET 1		SHEET 2 OF 2		
MATERIAL: SEE SHEET 1		REV: -		
		CUSTOMER DRAWING		

单击下面可查看定价，库存，交付和生命周期等信息

[>>TE Connectivity\(泰科\)](#)