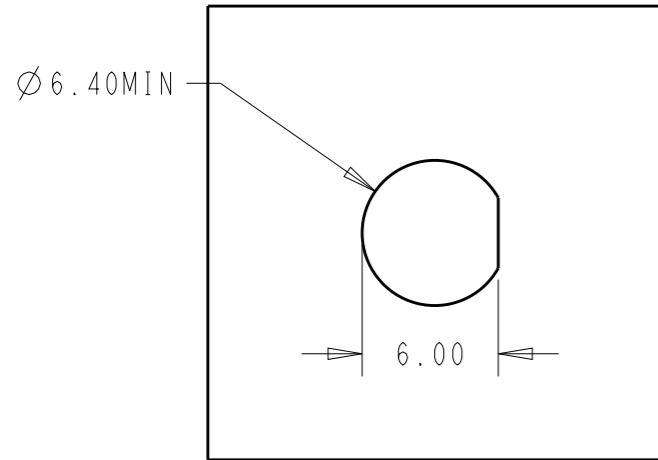
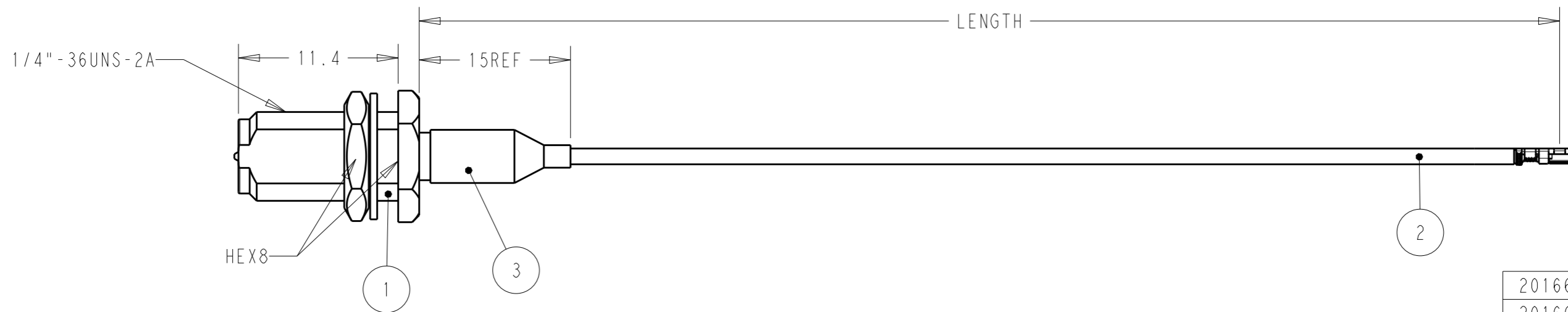
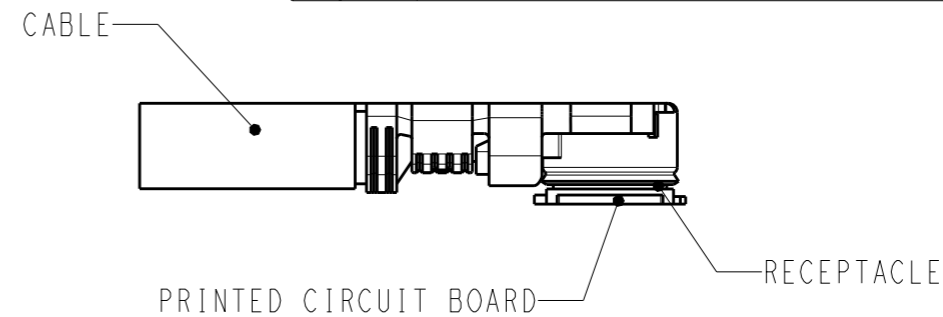


P	LTR	DESCRIPTION	DATE	DWN	APVD
	A	INITIAL CREATED	20JUL2020	CL	SZ



RECOMMENDED MOUNTING HOLE



- NOTES:
- MATERIAL AND PROCESSING MUST MEET REQUIREMENTS OF TEC-138-702
 - SMA BULKHEAD NEED ASSEMBLY NUT AND WASHER
 - PRODUCT RATING:
 TEMPERATURE: -45°C TO +85°C
 VOLTAGE: 30V (RMS)
 CHARACTERISTIC IMPEDANCE: 50 OHMS Normal
 FREQUENCY RANGE: DC TO 6GHz
 BEND RADIUS: 5MM MIN
 - CABLE ASSEMBLY TO BE 100% SI TESTED
 VSWR:
 1.3:1 MAX @ DC~1000MHz
 1.5:1 MAX @ 1000~4000MHz
 2.0:1 MAX @ 4000~6000MHz
 INSERT LOSS:
 (2.60*LENGTH+0.4)dB MAX @2GHz
 LENGTH UNIT IS METER IN THE FORMULA
 - SMA INTERFACE FOLLOW IEC 60169-15
 UMCC GEN4 CAN MATE WITH I-PEX MHF4L SERIES AND HIROSE U.FL SERIES

2016695-9	500±5
2016695-8	450±5
2016695-7	350±5
2016695-6	300±3
2016695-5	250±3
2016695-4	200±3
2016695-3	150±3
2016695-2	100±3
2016695-1	50+3
PART NUMBER	LENGTH

PC	Q'TY	UNIT	DESCRIPTION	ITEM
	1		HEAT SHRINK TUBE	3
	0.5		RF CA,UMCC GEN4 BOTH END, WITH 1.13CABLE	2
	1		RP-SMA BULKHEAD, FOR 1.13 CABLE	1

THIS DRAWING IS A CONTROLLED DOCUMENT.		DWN 25FEB2019 Cedar Liu		
DIMENSIONS: mm		CHK 26FEB2019 Roger Song		
TOLERANCES UNLESS OTHERWISE SPECIFIED:		APVD - Roger Song	NAME RF CA, RP-SMA BULKHEAD TO UMCC IV WITH 1.13 CABLE	
0 PLC ±-		PRODUCT SPEC -	-	
1 PLC ±0.5		APPLICATION SPEC -	SIZE A3	CAGE CODE 00779
2 PLC ±0.13		WEIGHT -	DRAWING NO C-2016695	RESTRICTED TO
3 PLC ±0.013				
4 PLC ±0.0001				
ANGLES ±-				
MATERIAL TBD	FINISH -	RESTRICTED CUSTOMER		
	finish_spec_2	SCALE 1:1	SHEET 1 OF 1	REV A

单击下面可查看定价，库存，交付和生命周期等信息

[>>TE Connectivity\(泰科\)](#)