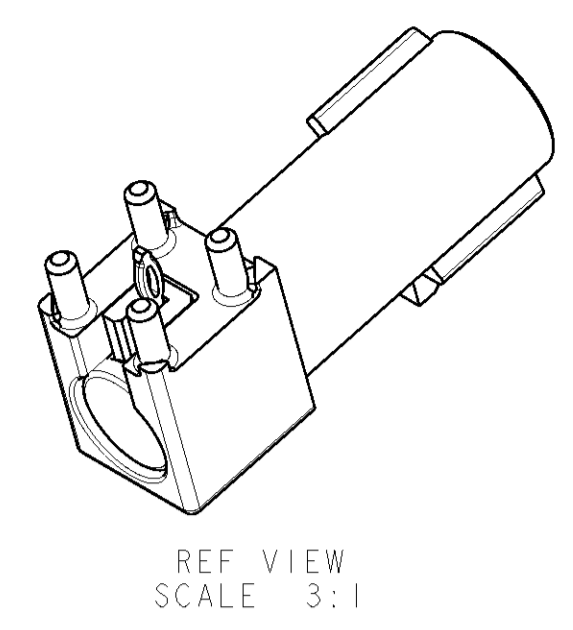
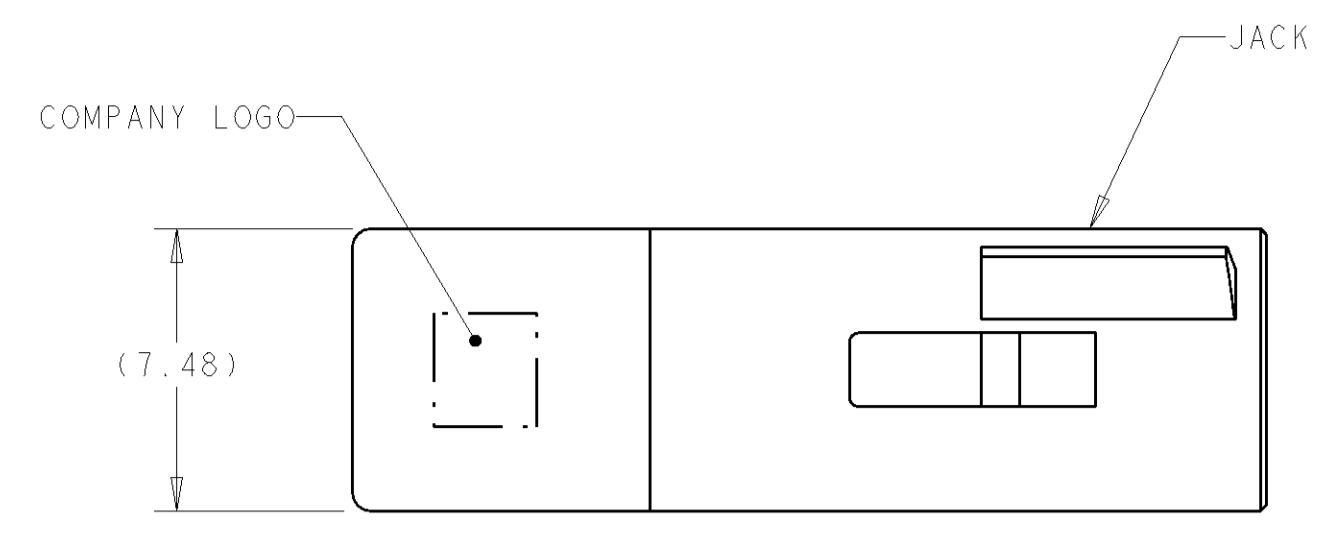
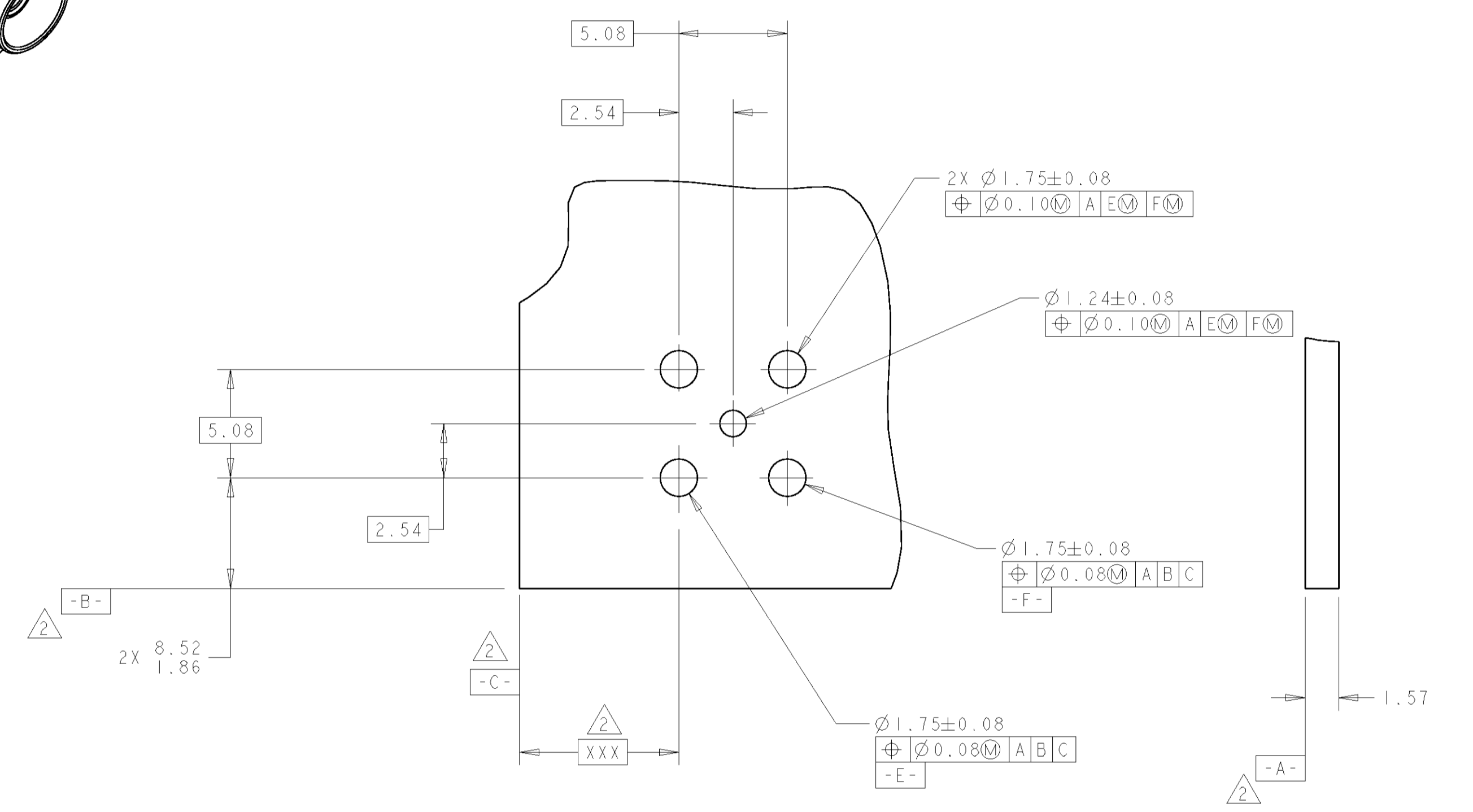
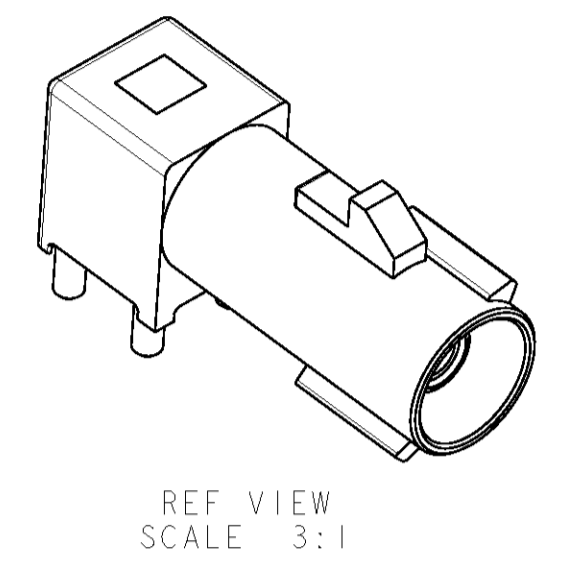
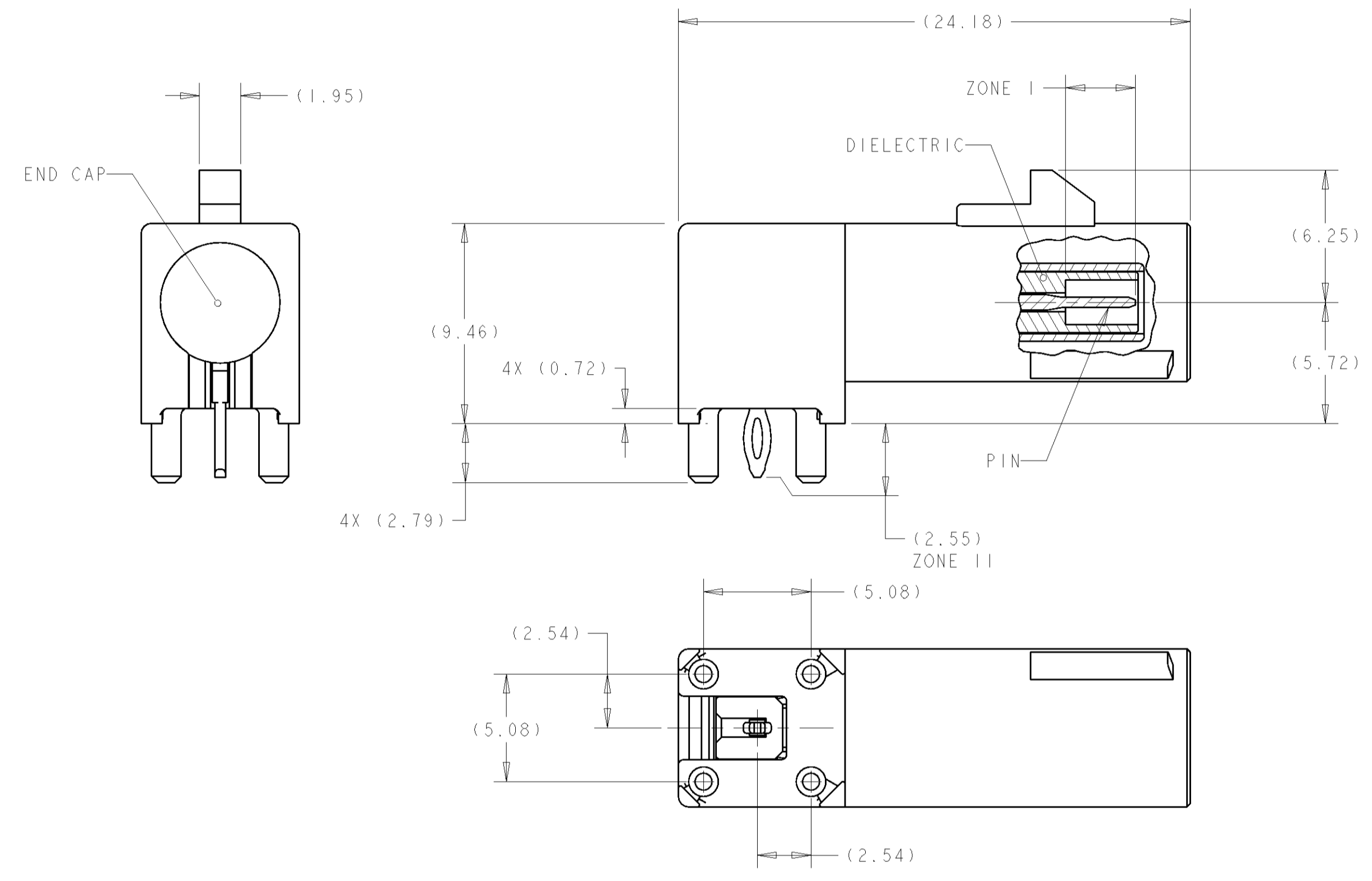


LOC	DIST	REVISIONS			
		REV	DATE	BY	APPV
1N	00	E	25APR2007	AH	LLV
		E1	30JUN2010	DLD	LLV
		E2	17DEC2010	KP	LV

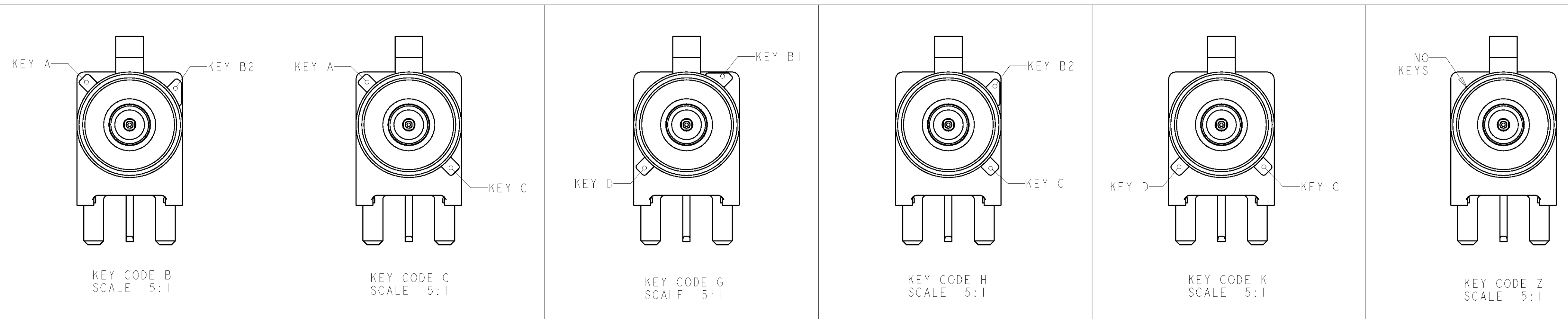


- 1 MATERIAL:
 JACK & END CAP: ZINC
 PIN: BRASS
 DIELECTRIC: PCT
- 2 DATUMS AND DIMENSION ESTABLISHED BY CUSTOMER RELATIVE TO LOCATION ON PCB.
- 3. JACK INTERFACE PER SAE/USCAR-18, FAKRA SMB RF CONNECTOR SUPPLEMENT)
- 4 FINISH:
 JACK: 2.0µm MIN THICK TIN OVER 1.52µm MIN NICKEL OVER COPPER FLASH
 PIN: 0.76µm MIN GOLD IN ZONE I, 2.5µm MIN TIN IN ZONE II
 ALL OVER 2.0µm MIN NICKEL
 END CAP: 2.54µm MINIMUM BRIGHT TIN OVER MATTE COPPER FLASH



RECOMMENDED PC BOARD
 LAYOUT
 SCALE 5:1

KEY CODE



Z	2-776865-1
K	1-776865-0
H	776865-8
G	776865-7
C	776865-3
B	776865-2
KEY CODE (SEE TABLE)	PART NUMBER

DIMENSIONS: mm 		TOLERANCES UNLESS OTHERWISE SPECIFIED: 0 PLC ± 1 PLC ± 2 PLC ± 3 PLC ± 4 PLC ± ANGLES ±		DWN H MOLL 24AUG2005 CHK J HALL 29AUG2005 APVD J HALL 29AUG2005 PRODUCT SPEC APPLICATION SPEC 114-13161 WEIGHT CUSTOMER DRAWING		Tyco Electronics Harrisburg, PA 17105-3608 NAME JACK ASSEMBLY, 0 DEGREE, FAKRA, I POSITION, RIGHT ANGLE, PCB SIZE CASE CODE DRAWING NO 00779 C=776865 RESTRICTED TO SHEET 1 OF 1 REV E2	
-----------------------	--	---	--	--	--	---	--

单击下面可查看定价，库存，交付和生命周期等信息

[>>TE Connectivity\(泰科\)](#)