

THIS DRAWING IS UNPUBLISHED.

RELEASED FOR PUBLICATION

2007

© COPYRIGHT 2007

BY TYCO ELECTRONICS CORPORATION. ALL INTERNATIONAL RIGHTS RESERVED.

LOC J DIST

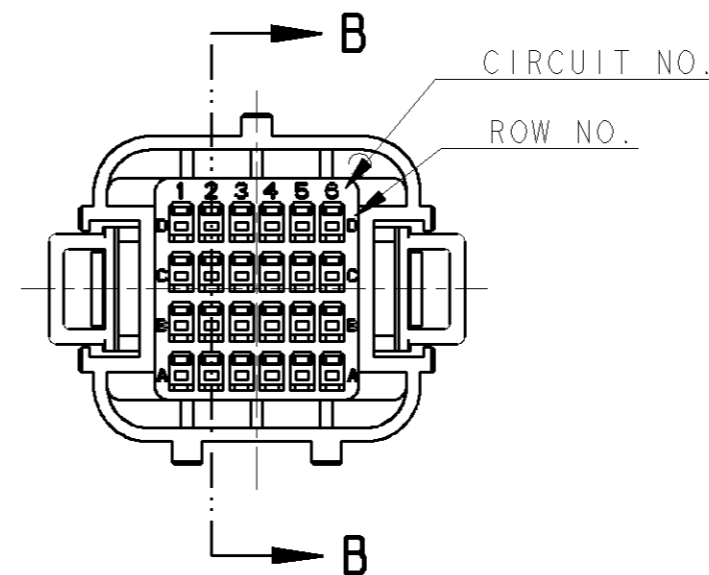
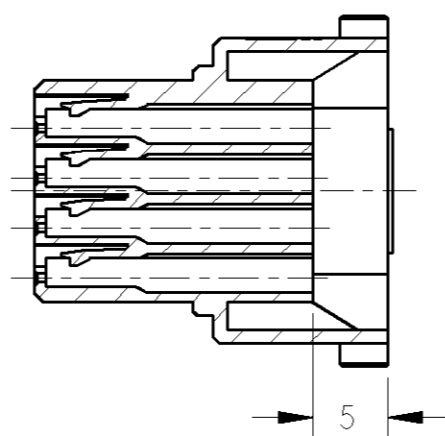
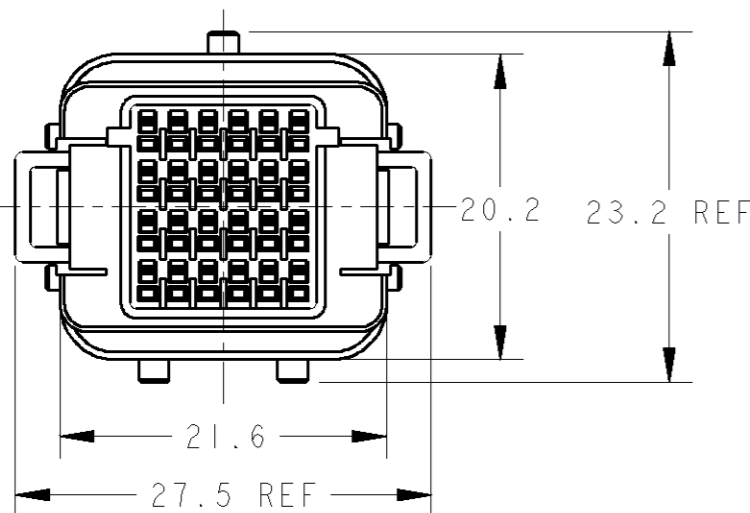
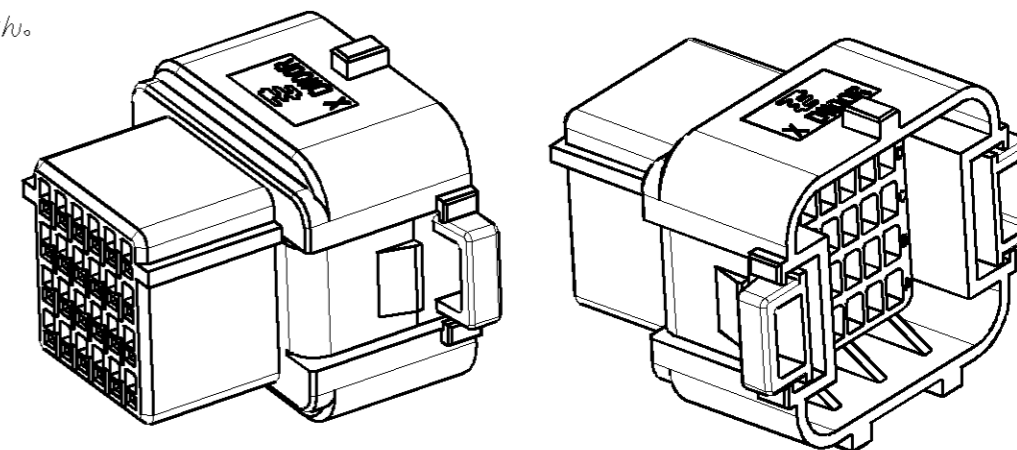
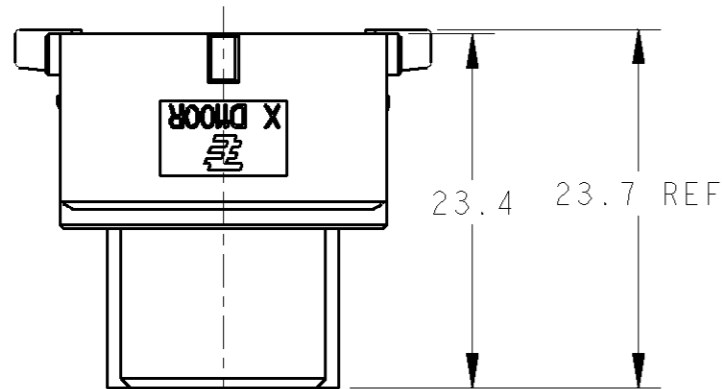
REVISIONS

P	LTR	DESCRIPTION	DATE	DWN	APVD
	C	REVISED ECR-10-010452	28MAY2010	T.T	T.M

① MATERIAL: POLYBUTYLEN TEREPHTHALATE (94V-0)
 COLOR: BLACK
 2. THE SHAPE, SIZE AND POSITION OF THE CHARACTER
 SHOW THE OUTLINE. THEY DON'T SHOW DETAILS.

① 材料: ポリブチレンテレフタレート(94V-0)
 色: 黒
 2. 文字の形状、大きさ、および位置については、大略を示すものであり、詳細を示すものではありません。

- 1 : AS SHOWN



B-B

THIS DRAWING IS A CONTROLLED DOCUMENT FOR TYCO ELECTRONICS CORPORATION
 IT IS SUBJECT TO CHANGE AND THE CONTROLLING ENGINEERING ORGANIZATION
 SHOULD BE CONTACTED FOR THE LATEST REVISION.

DIMENSIONS: 単位: ㎜ mm	TOLERANCES UNLESS OTHERWISE SPECIFIED: 一般公差 ±0.3, ±3° 0-PLC ± 1-PLC ± 2-PLC ± 3-PLC ± 4-PLC ± ANGLES ±
MATERIAL 材料	FINISH 仕上

DWN T.SAMI	16JAN2007
CHK D.MITSUGI	27MAR2007
APVD D.MITSUGI	27MAR2007
PRODUCT SPEC 製品規格	108-78417
APPLICATION SPEC 取付適用規格	114-5377
WEIGHT	5.39 g

Tyco Electronics Corporation Kawasaki, Japan	
NAME 名称 MULTI ENCLOSURE CONN M DYNAMIC D1100 R-TYPE REC HSG 24 POS	
SIZE A3	CAGE CODE 00779
DRAWING NO. C=1981551	RESTRICTED TO
CUSTOMER DRAWING	SCALE 尺度 2:1
SHEET 1	OF 1
REV C	

单击下面可查看定价，库存，交付和生命周期等信息

[>>TE Connectivity\(泰科\)](#)