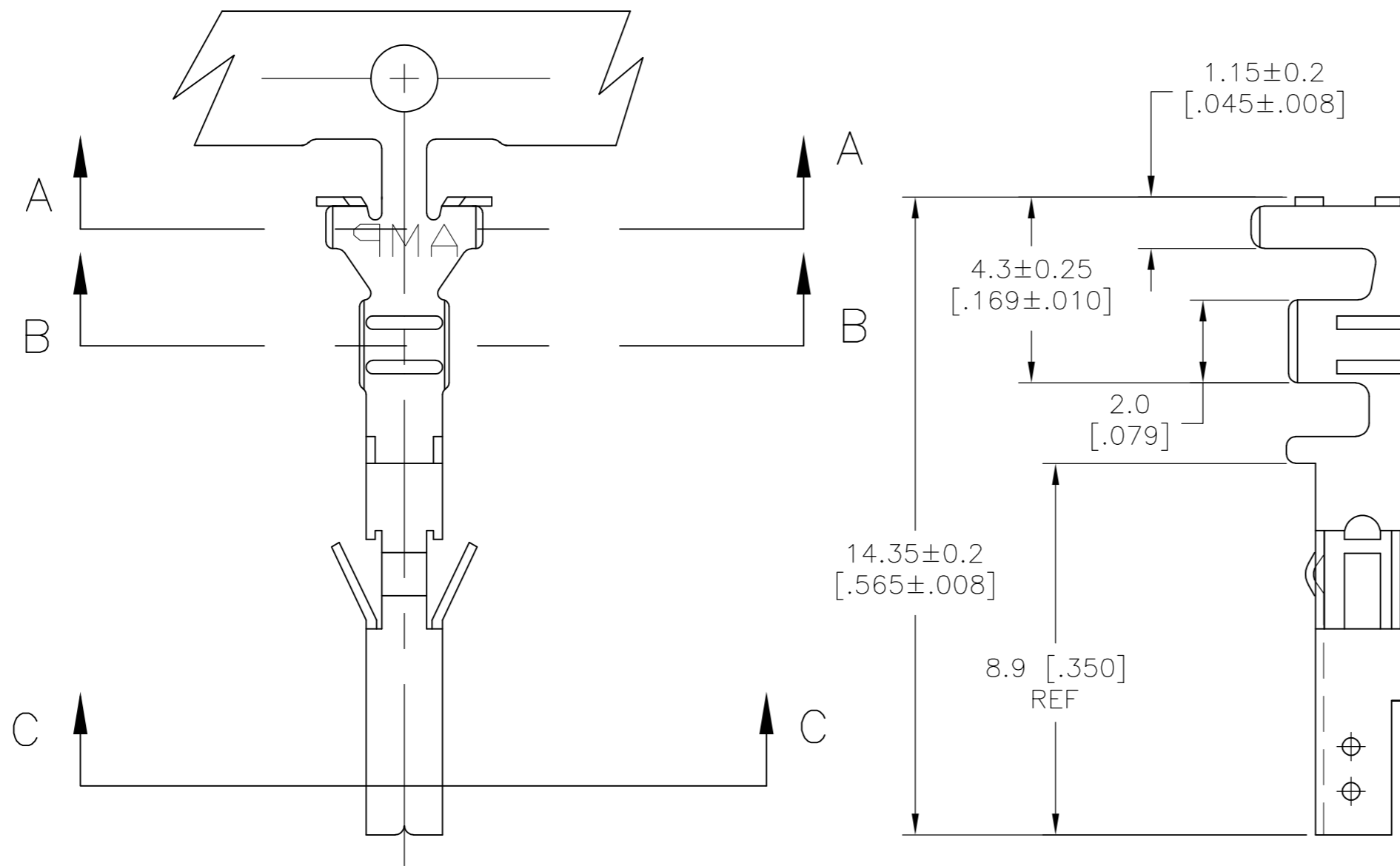
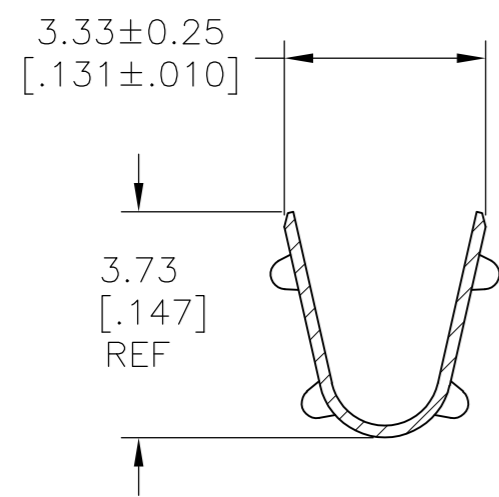


THIS DRAWING IS UNPUBLISHED. RELEASED FOR PUBLICATION  
 © COPYRIGHT - By - ALL RIGHTS RESERVED.

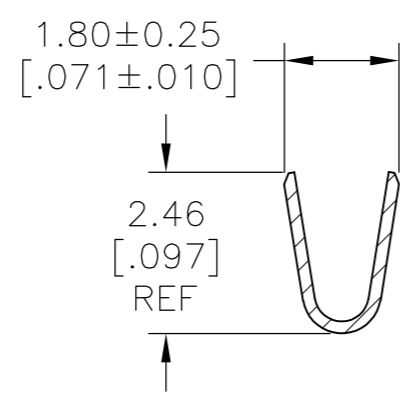
REVISIONS				
P	LTR	DESCRIPTION	DATE	APVD
A		FIRST RELEASED	15AUG2017	WH DZ



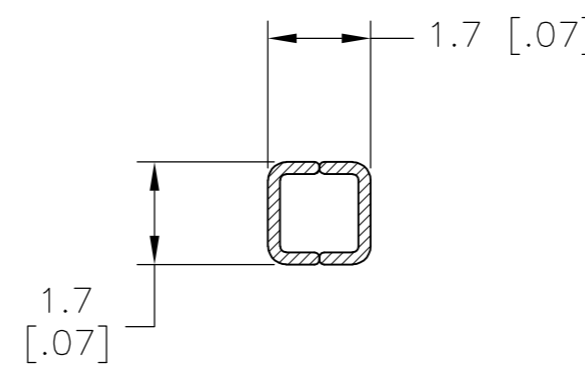
- 1 WIRE RANGE 0.3-0.82mm<sup>2</sup> [22-18 AWG]
- 2 INSULATION RANGE: DIA 1.50-3.10 mm [0.060-.122 in]
- 3 FINISH: 2.54μm [.0001 in] MINIMUM PRE-TIN ALL OVER.
- 4 MATING PART: 2825210-1(STRIP TYPE) OR 2825212-1(LOOSE TYPE)



SECTION A-A



SECTION B-B



SECTION C-C

PRE-TIN $\triangle$ 3	HIGH PERFORMANCE COPPER ALLOY	2825211-1
FINISH	MATERIAL	PART NO.

THIS DRAWING IS A CONTROLLED DOCUMENT.		DWN WARREN HUO 15AUG2017	TE Connectivity	
DIMENSIONS: mm [INCHES]		CHK DANIEL ZHANG 15AUG2017	NAME	
TOLERANCES UNLESS OTHERWISE SPECIFIED:		APVD DANIEL ZHANG 15AUG2017	PRODUCT SPEC	
0 PLC ± -		108-150000		RESTRICTED TO
1 PLC ± 0.25 [.010]		APPLICATION SPEC		
2 PLC ± 0.13 [.005]		114-13172		SIZE
3 PLC ± -		WEIGHT 0		CAGE CODE
4 PLC ± -		CUSTOMER DRAWING		DRAWING NO
FINISH		SCALE N/A		SHEET 1 of 1
SEE TABLE		REV A		

2825211

单击下面可查看定价，库存，交付和生命周期等信息

[>>TE Connectivity\(泰科\)](#)