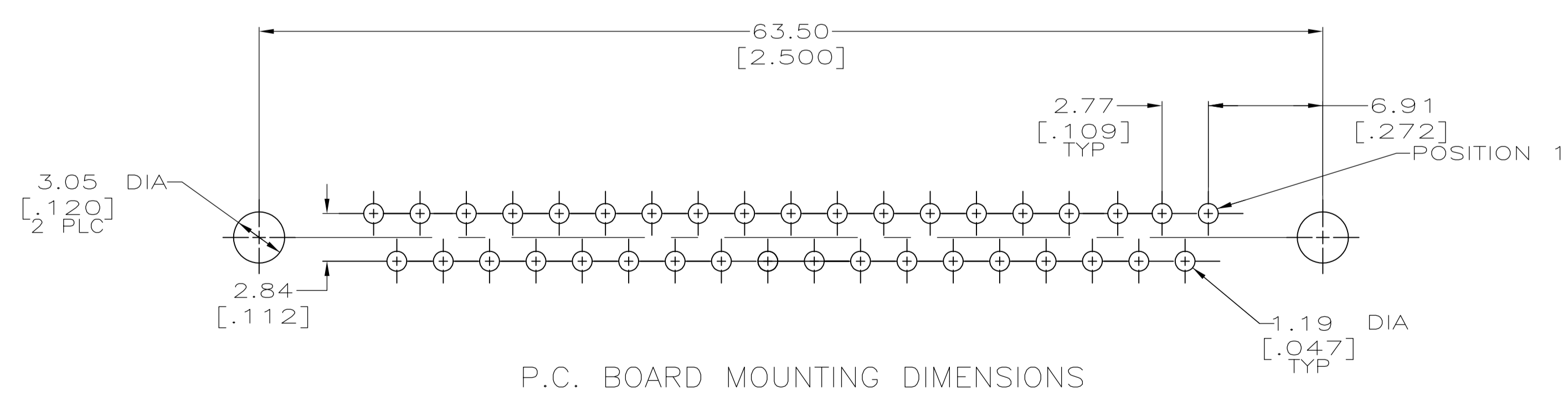
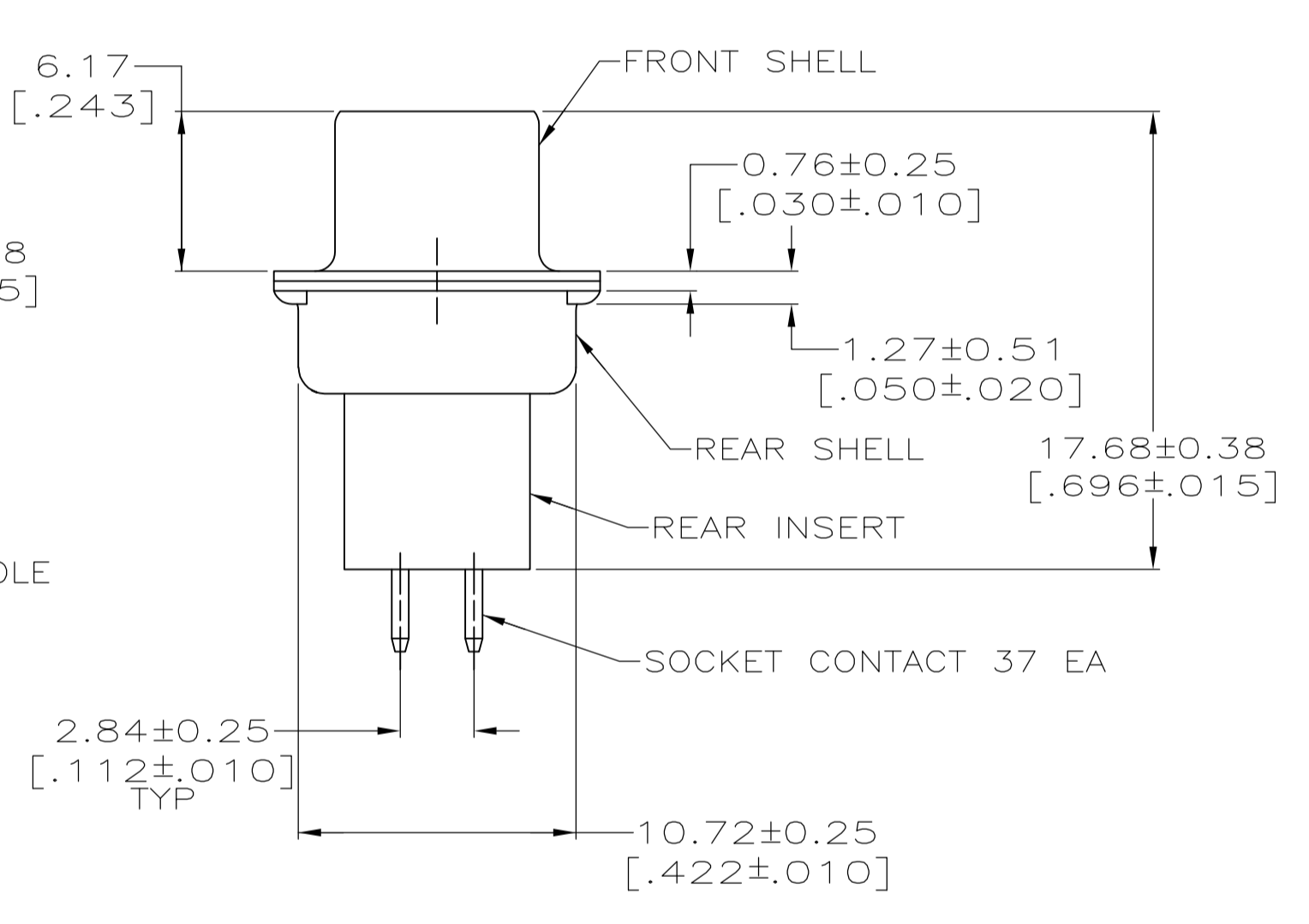
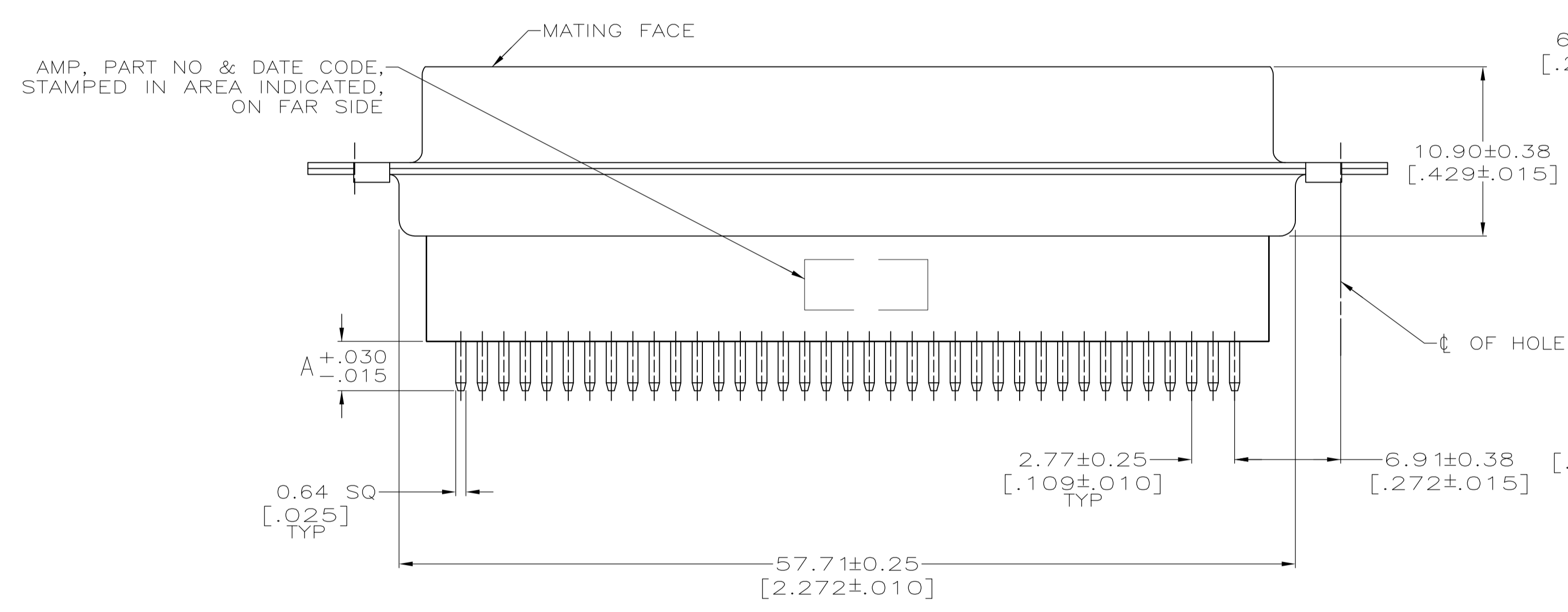


- ⚠ MOLDED PARTS: FLAME RETARDANT 94V-0 RATED THERMOPLASTIC; BLACK.  
SHELLS: CARBON STEEL.  
CONTACTS: PHOS BRONZE.
- ⚠ CONTACTS: 0.76μm [.000030] MIN GOLD ON MATING END, 2.54μm [.000100] MIN TIN OR TIN-LEAD ON OPPOSITE END, ALL OVER 1.27μm [.000050] MIN NICKEL.  
-OR-  
GOLD FLASH OVER PALLADIUM-NICKEL, 0.76μm [.000030] MIN TOTAL ON MATING END, 2.54μm [.000100] MIN TIN OR TIN-LEAD ON OPPOSITE END, ALL OVER 1.27μm [.000050] MIN NICKEL.
- ⚠ SHELLS: 5.08μm [.000200] MIN TIN OVER 2.54μm [.000100] MIN COPPER.



SUPSD BY 745189-7	-	-	745189-8
	⚠⚠	4.78 [.188]	745189-7
OBSOLETE	-	-	745189-6
SUPSD BY 205713-5	-	-	745189-5
SUPSD BY 745189-3	-	-	745189-4
SUPSD BY 745189-7	-	-	745189-3
SUPSD BY 745189-1	-	-	745189-2
OBSOLETE	⚠⚠	3.18 [.125]	745189-1

FINISH	DIM A	PART NUMBER
--------	-------	-------------

THIS DRAWING IS A CONTROLLED DOCUMENT.

DIMENSIONS: mm [INCHES]	TOLERANCES UNLESS OTHERWISE SPECIFIED:	0 PLC ± -	1 PLC ± -	2 PLC ± 0.13 [.005]	3 PLC ± -	4 PLC ± -	ANGLES ± °
-------------------------	--	-----------	-----------	---------------------	-----------	-----------	------------

MATERIAL	FINISH	WEIGHT	SCALE	NTS	SHEET	1 OF 1	REV	M
----------	--------	--------	-------	-----	-------	--------	-----	---

DWN: C. REIFSNYDER 07 AUG 95  
 CHK: R. STONE 23 AUG 95  
 APVD: R. TAYLOR 23 AUG 95  
 NAME: R. TAYLOR  
 PRODUCT SPEC: 108-40025  
 APPLICATION SPEC: 114-40013  
 SIZE: A1  
 CAGE CODE: 00779  
 DRAWING NO: 745189  
 RESTRICTED TO: CUSTOMER DRAWING  
 Tyco Electronics Corporation, Harrisburg, PA 17105-3608  
 RECEPTACLE ASSY, SIZE 4, 37 POS, VERTICAL, TM

单击下面可查看定价，库存，交付和生命周期等信息

[>>TE Connectivity\(泰科\)](#)