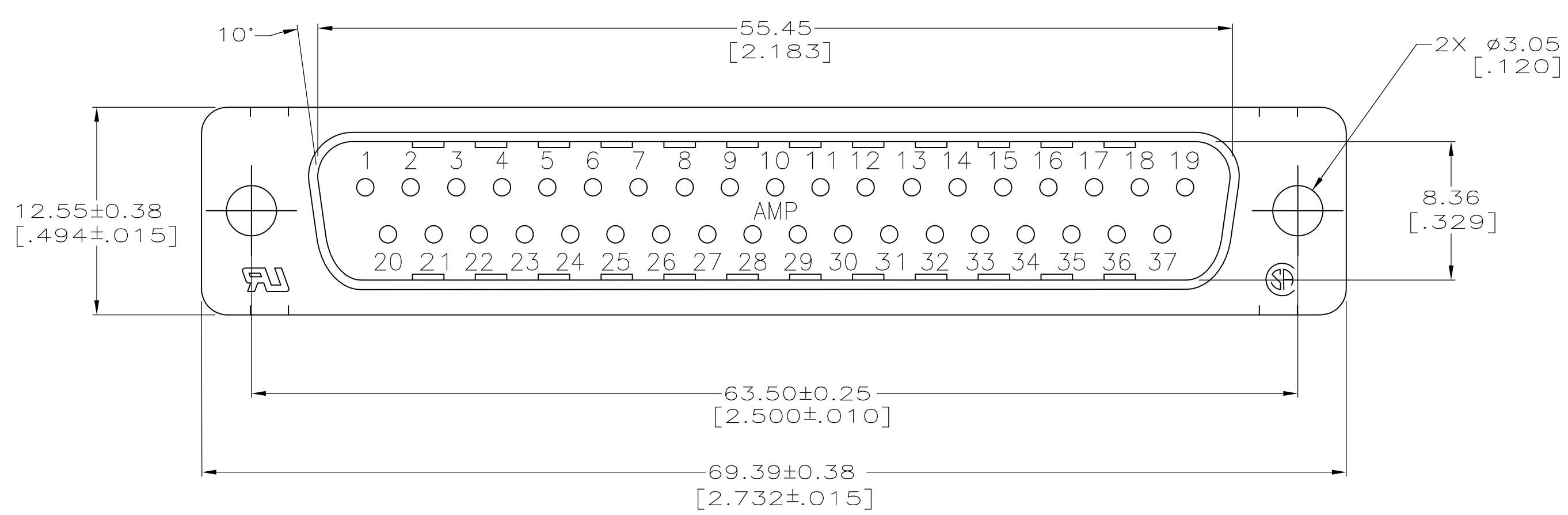
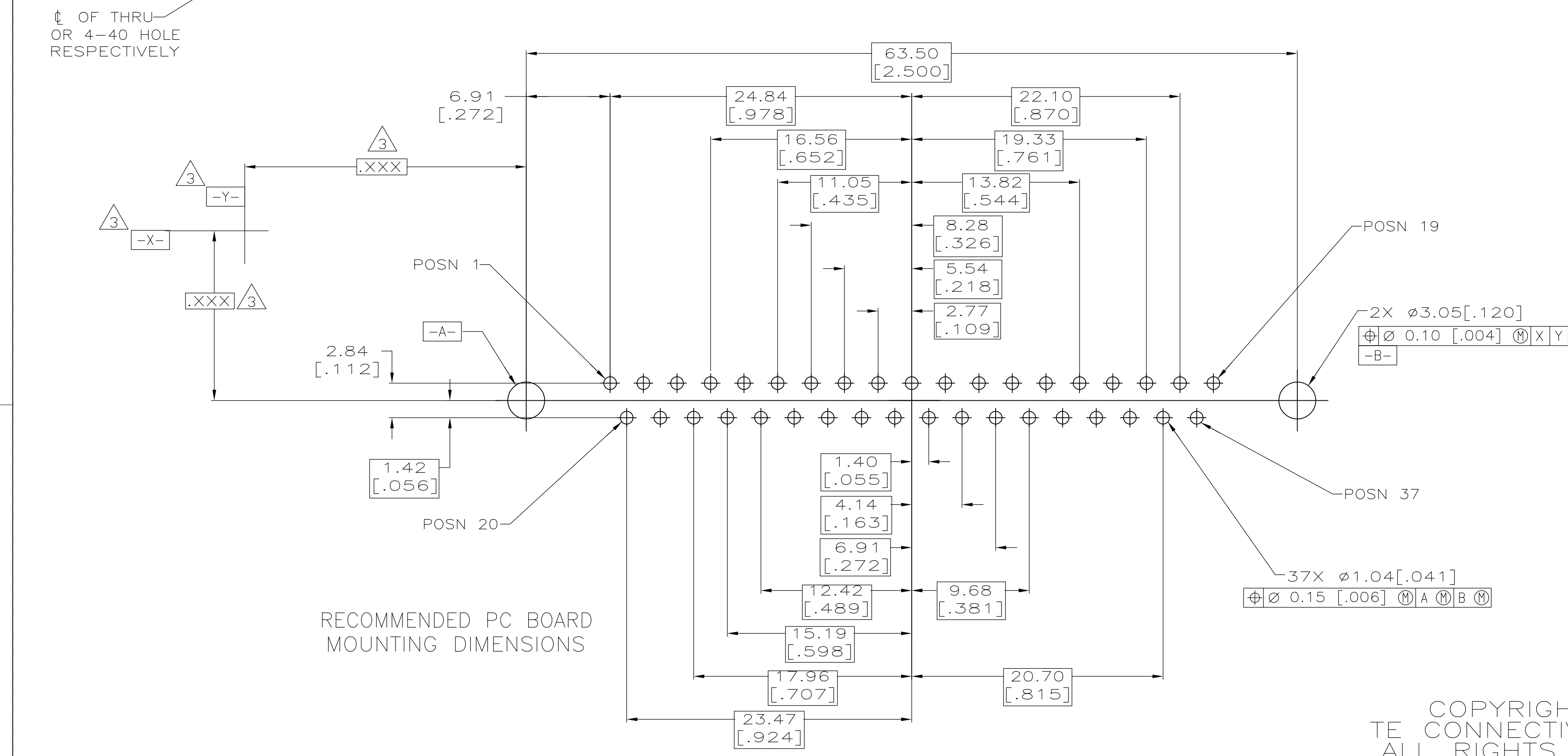
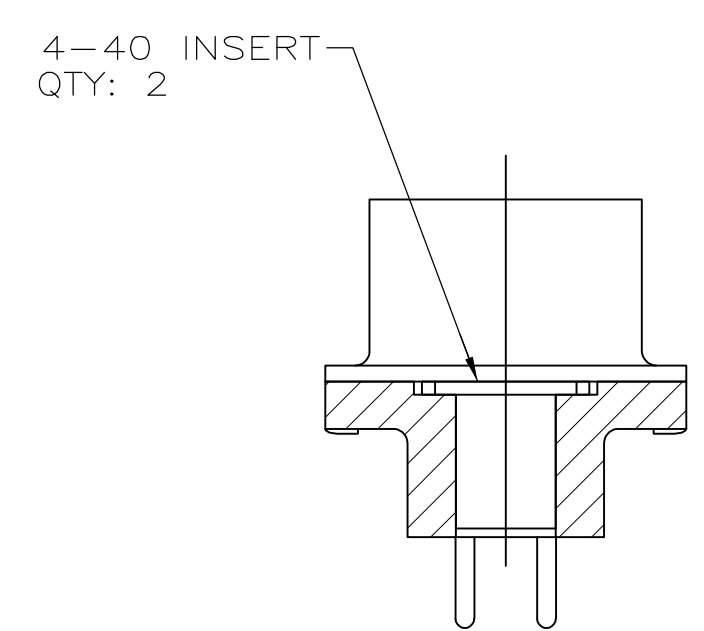
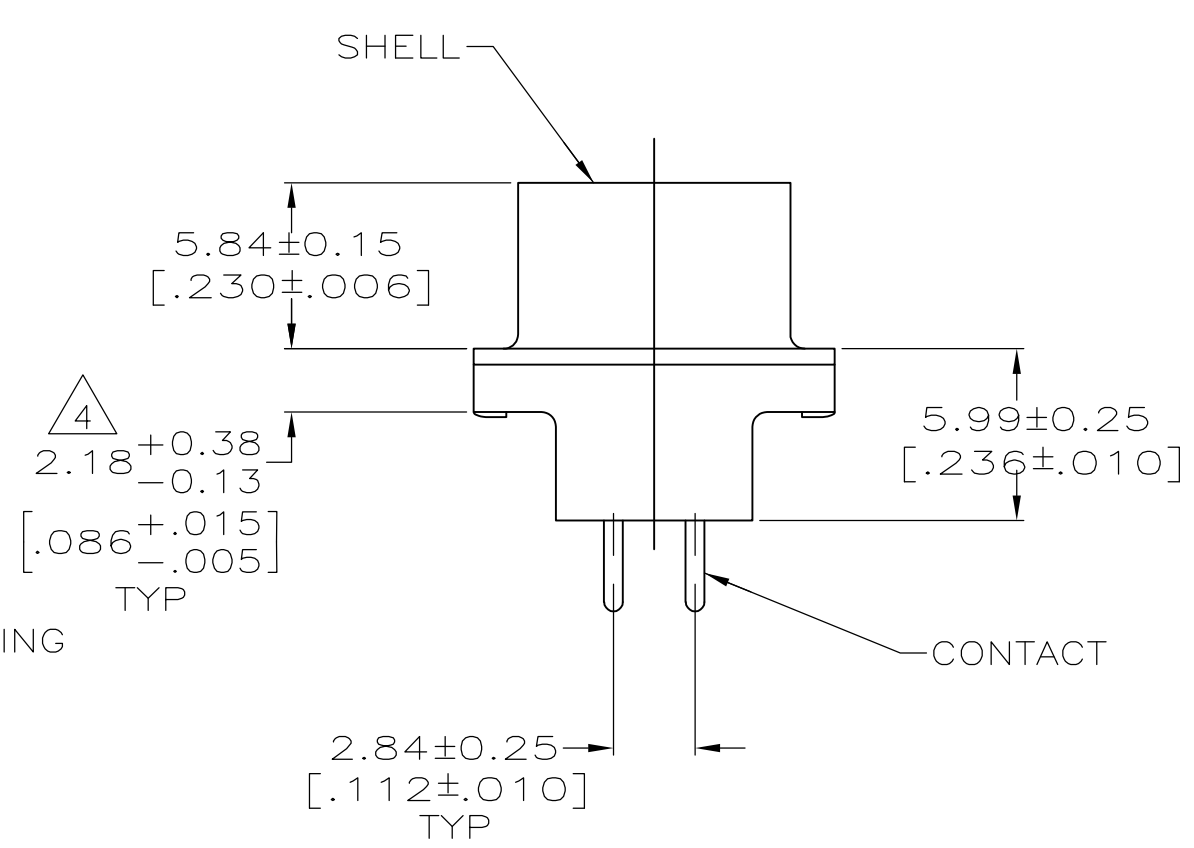
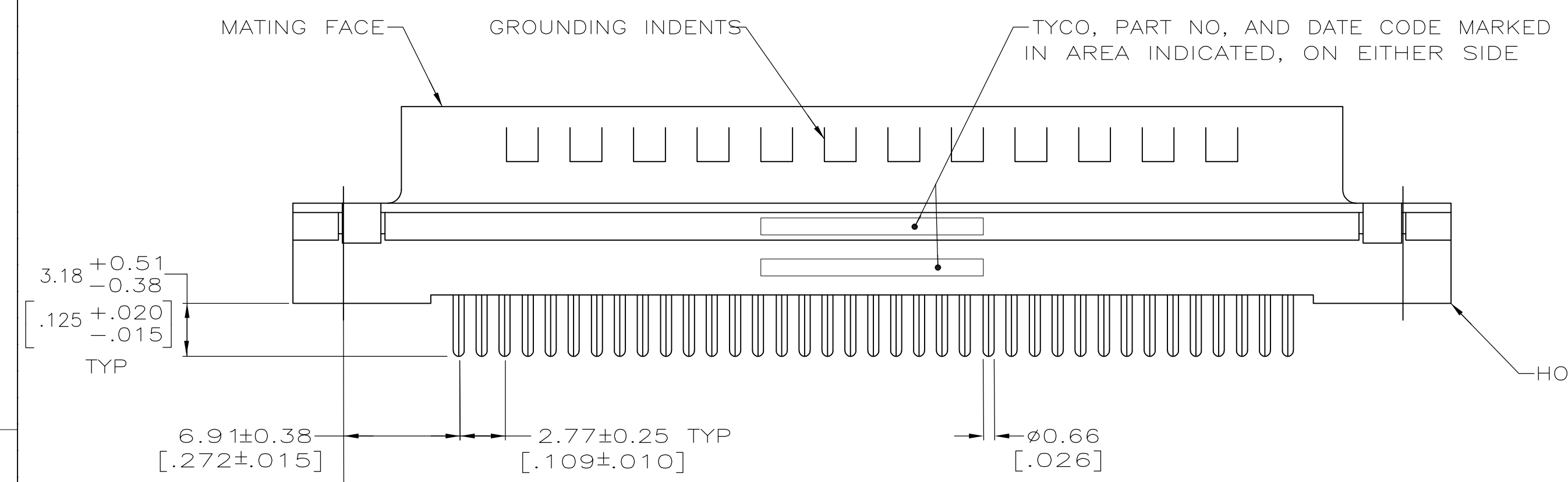


LOC	DIST	REVISIONS			
P	LR	DESCRIPTION	DATE	DWN	APVD
B1		REVISED PER ECO-11-004835	11MAR11	RK	HMR



- 1 HOUSING: BLACK POLYESTER, UL 94V-0 RATED
CONTACTS: BRASS
SHELL: CARBON STEEL
INSERTS: BRASS
- 2 SHELLS: 5.08µm[.000200] MIN TIN OVER 2.54µm[.000100] MIN COPPER.
CONTACTS: GOLD PLATED FOR A LENGTH OF 3.81 [.150] FROM MATING END, 0.76µm[.000030] MIN GOLD IN MATED AREA, 2.54µm[.000100] MIN TIN ON OPPOSITE END, ALL OVER 1.27µm[.000050] MIN NICKEL.
-OR-
GOLD FLASH OVER PALLADIUM NICKEL PLATED FOR A LENGTH OF 3.81 [.150] FROM MATING END, 0.76µm[.000030] MIN PALLADIUM NICKEL IN MATED AREA, 2.54µm[.000100] MIN TIN ON OPPOSITE END, ALL OVER 1.27µm[.000050] MIN NICKEL.
INSERTS: UNPLATED
- 3 DATUMS AND BASIC DIMENSIONS ESTABLISHED BY CUSTOMERS
- 4 2.79 [.110] MAX IN SHELL TAB CLINCH AREAS



COPYRIGHT 2005
TE CONNECTIVITY CORP
ALL RIGHTS RESERVED

4-40 INSERT (DETAIL D)	5747375-8
-	5747375-2
MOUNTING HARDWARE	PART NO

THIS DRAWING IS A CONTROLLED DOCUMENT.		DWN B. LATTUCA 23SEPT05	TE Connectivity	
DIMENSIONS: mm[INCHES]		CHK S. BOLASH 23SEPT05	NAME PLUG ASSEMBLY, SIZE 4, 37 POSITION, VERTICAL, FRONT METAL SHELL, AMPLIMITE HD-20	
TOLERANCES UNLESS OTHERWISE SPECIFIED:		APVD M. WALMSLEY 23SEPT05	PRODUCT SPEC 108-40025	
0 PLC ± -		APPLICATION SPEC	114-40023	
1 PLC ± 0.13 [005]		SIZE	A1	
2 PLC ± -		CAGE CODE	00779	
3 PLC ± -		DRAWING NO	5747375	
4 PLC ± -		WEIGHT	-	
ANGLES ± -		CUSTOMER DRAWING	SCALE 4:1 SHEET 1 OF 1 REV B1	

单击下面可查看定价，库存，交付和生命周期等信息

[>>TE Connectivity\(泰科\)](#)

[>>点击查看相关商品](#)