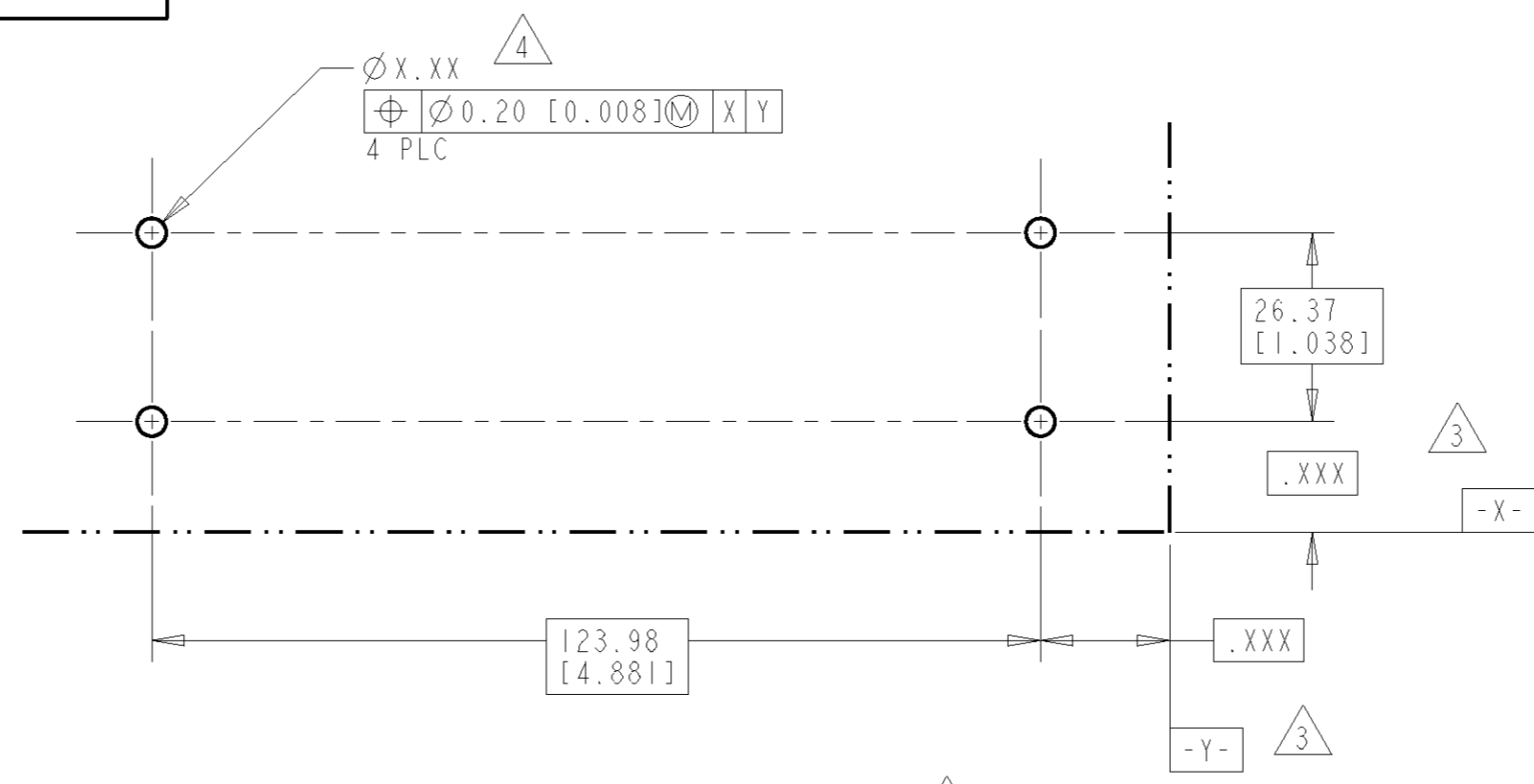
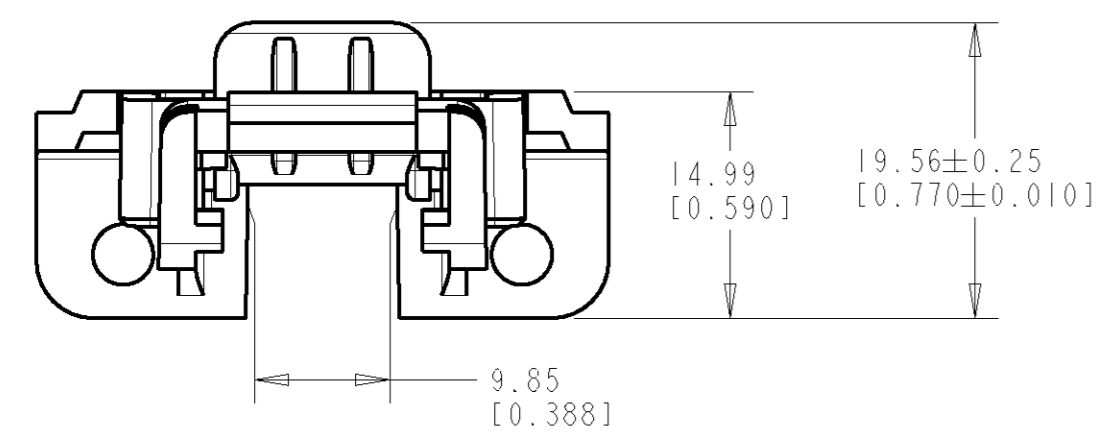
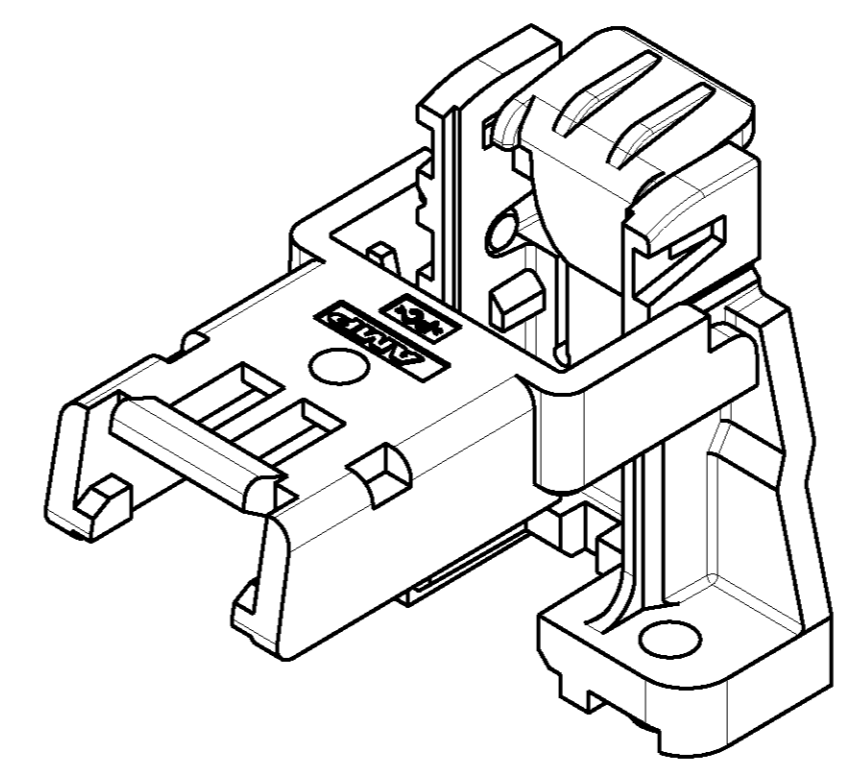
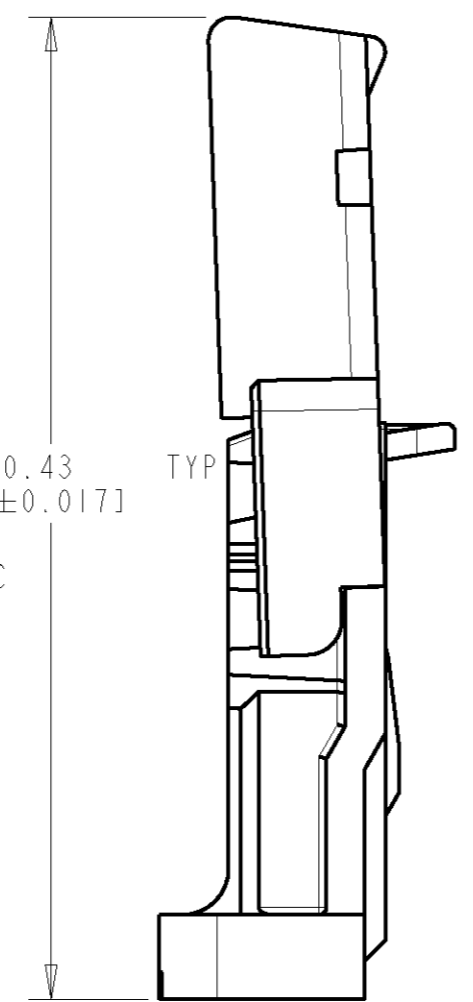
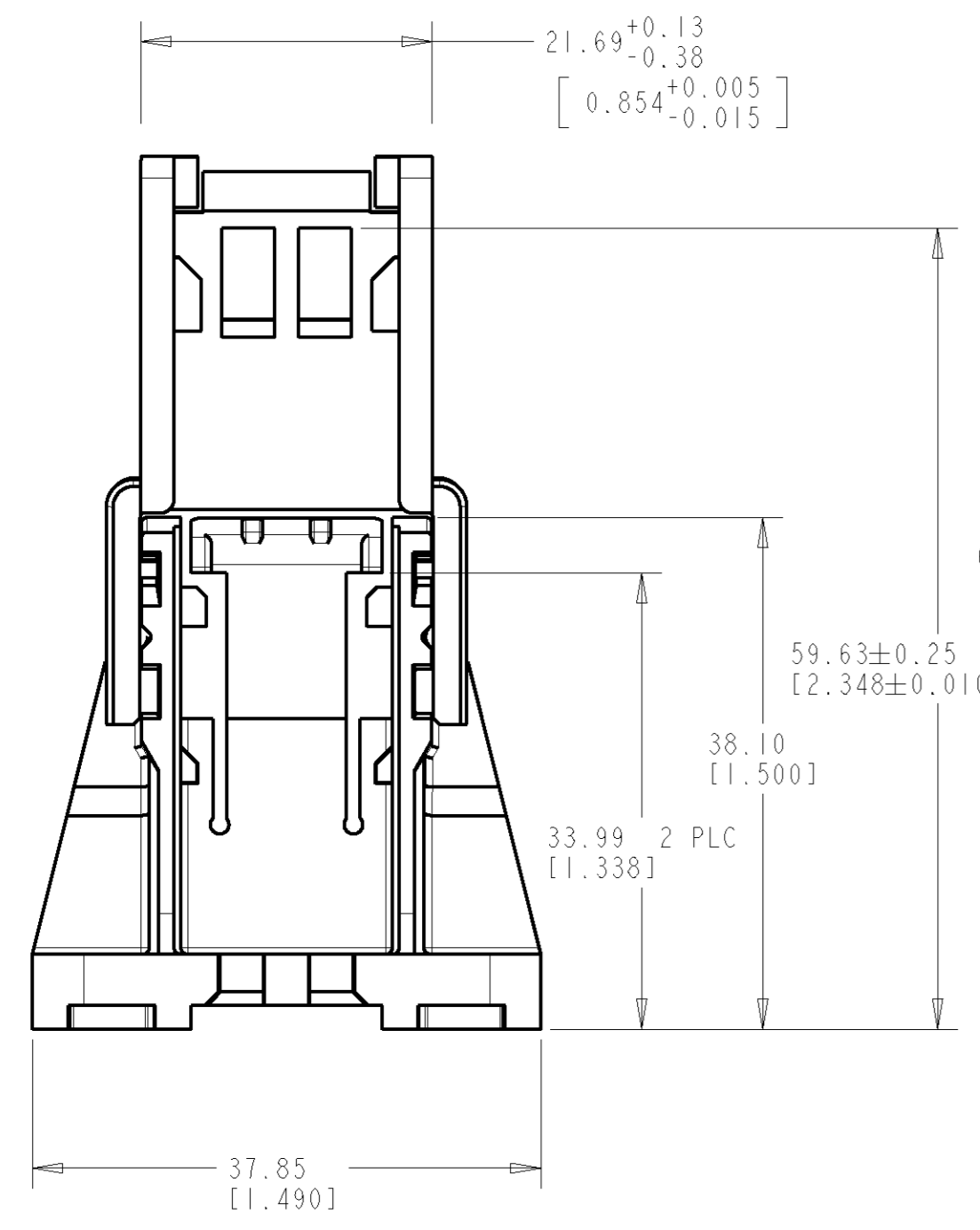


LOC	DIST	REVISIONS					
		P	LTR	DESCRIPTION	DATE	DWN	APVD
AD	14	0		RELEASED	15SEP98	RB	EL
		A		REVISED PER OG51-0241-98	29OCT98	RB	EL

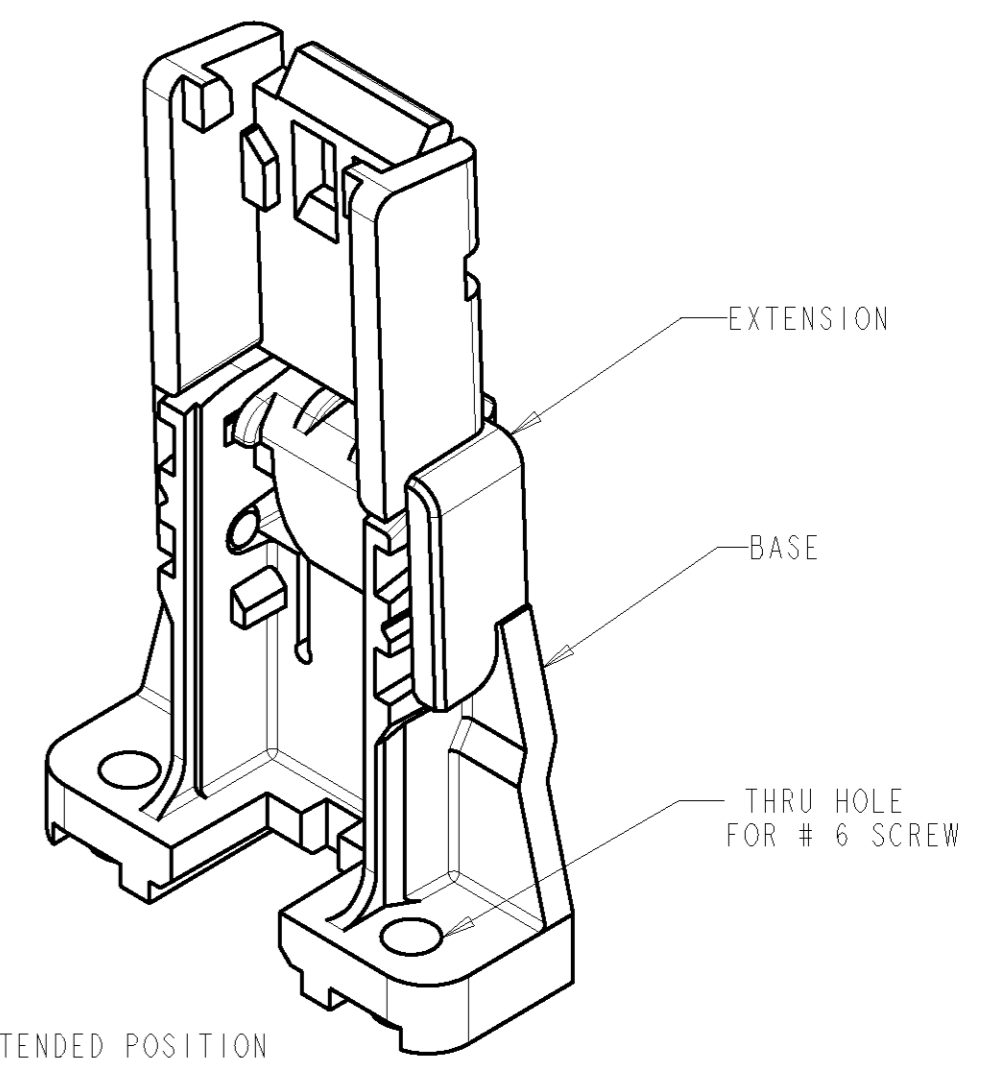


RECOMMENDED PC BOARD LAYOUT SCALE 1:1

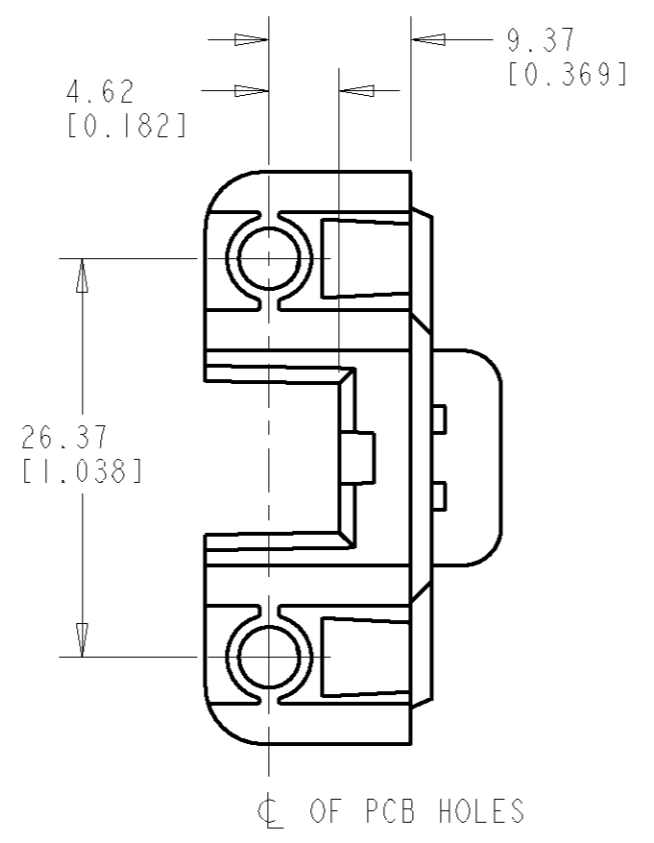
- 1 ALL COMPONENTS- UL 94-VO RATED POLYCARBONATE, BLACK.
- 2 RECOMMENDED PC BOARD THICKNESS OF 1.57±0.15[.062±.006].
- 3 DATUM AND BASIC DIMENSIONS ESTABLISHED BY CUSTOMER.
- 4 HOLE DIAMETER DIMENSION ESTABLISHED BY CUSTOMER
- 5. BULK PACKAGED IN PARTITIONED BOXES IN THE EXTENDED POSITION
- 6 EACH PROCESSOR INSTALLATION REQ'S TWO RETENTION MODULES.



FOLDED POSITION



EXTENDED POSITION



2 MODULES WITH THRU HOLES	145382-2
1 MODULE WITH THRU HOLES	145382-1
DESCRIPTION	6 PART NUMBER

THIS DRAWING IS A CONTROLLED DOCUMENT FOR AMP INCORPORATED. IT IS SUBJECT TO CHANGE AND THE CONTROLLING ENGINEERING ORGANIZATION SHOULD BE CONTACTED FOR THE LATEST REVISION.		DWN R BROWN 15SEP98	AMP Incorporated Harrisburg, PA 17105-3608	
DIMENSIONS: mm [INCHES]		CHK E LOTTER 15SEP98	NAME UNIVERSAL RETENTION MODULE ASSEMBLY KIT, THRU HOLE	
TOLERANCES UNLESS OTHERWISE SPECIFIED:		APVD V RUMINSKI 15SEP98	PRODUCT SPEC 108-1826	
0 PLC ±	1 PLC ±	APPLICATION SPEC -	SIZE A2	CAGE CODE 00779
2 PLC ±0.13[.005]	3 PLC ±	WEIGHT -	DRAWING NO C-145382	RESTRICTED TO -
4 PLC ±	ANGLES ±	CUSTOMER DRAWING	SCALE 2:1	SHEET 1 OF 1
FINISH -				REV A

单击下面可查看定价，库存，交付和生命周期等信息

[>>TE Connectivity\(泰科\)](#)