

THIS DRAWING IS UNPUBLISHED.

RELEASED FOR PUBLICATION

20

© COPYRIGHT 20 BY -

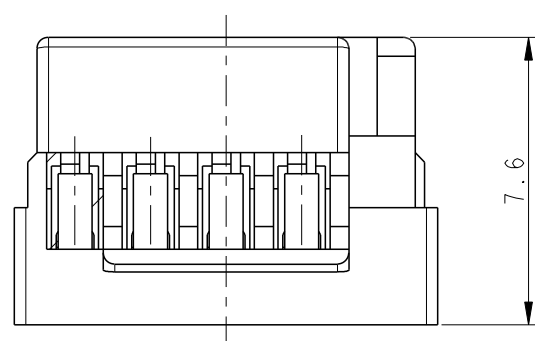
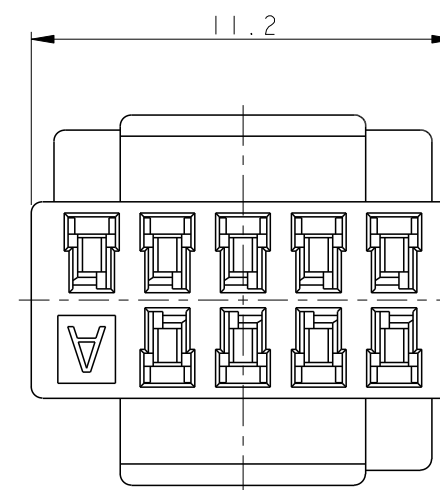
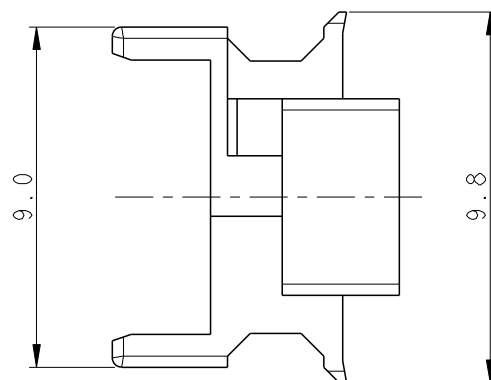
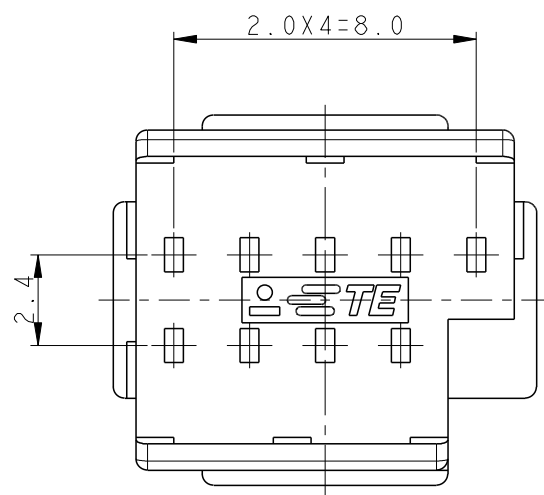
ALL RIGHTS RESERVED.

LOC
DS

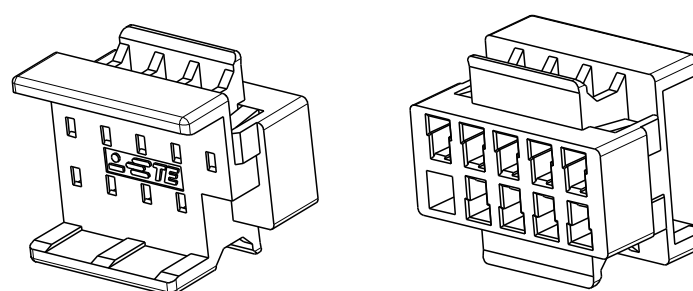
DIST
-

REVISIONS

P	LTR	DESCRIPTION	DATE	DWN	APVD
	AI	REVISED PER ECR-12-018350	26OCT'12	SC	JK


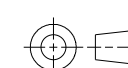


NOTE:
 1. APPLICABLE POST CONTACT P/N: 2069391-2
 2. MOUNTING FLANGE (BASE ASSY) P/N: 2108418-1
 3. COUNTER P/Ns
 - CABLE I/O KIT P/N: 2201825-1
 - REC. CONTACT P/N: 2174065-4



SCALE 3:1

2108422-1	BLACK
P/N	COLOR

THIS DRAWING IS A CONTROLLED DOCUMENT.		DWN SC KIM 24AUG2012	 TE Connectivity NAME ENCODER 9P BASE ENTRY HSG				
DIMENSIONS: mm		CHK BW KANG 24AUG2012					
		APVD JK SONG 24AUG2012					
TOLERANCES UNLESS OTHERWISE SPECIFIED:		PRODUCT SPEC 108-61148					
0 PLC ± 1 PLC ± ±0.3 2 PLC ± ±0.3 3 PLC ± ±0.3 4 PLC ± ±0.3 ANGLES ± ± FINISH -		APPLICATION SPEC 114-5446	SIZE A3	CAGE CODE 00779	DRAWING NO C-2108422	RESTRICTED TO -	
MATERIAL PA66 UL94V-0		WEIGHT 0.283g	SCALE 5:1		SHEET 1	OF 1	REV AI

单击下面可查看定价，库存，交付和生命周期等信息

[>>TE Connectivity\(泰科\)](#)