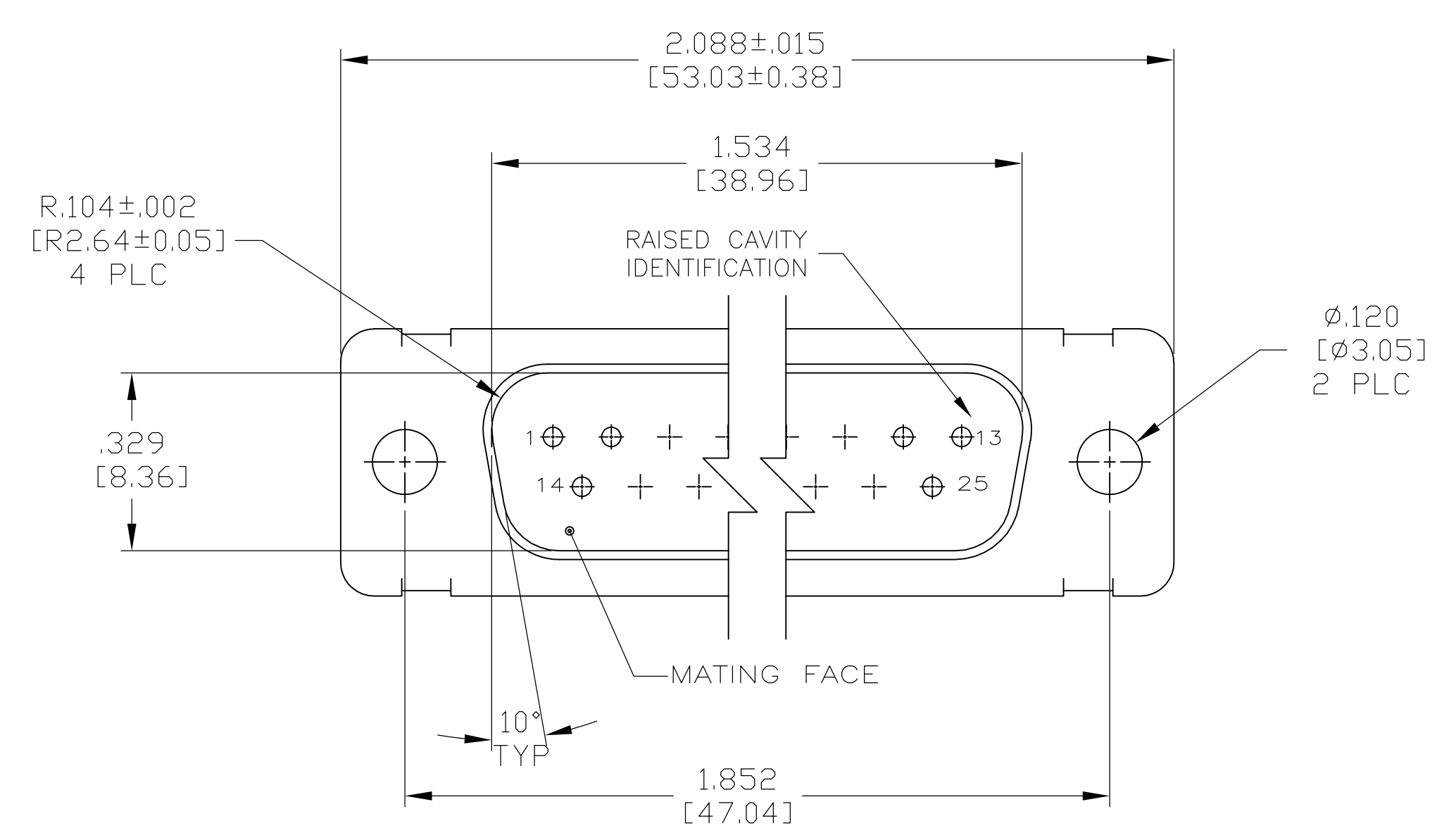
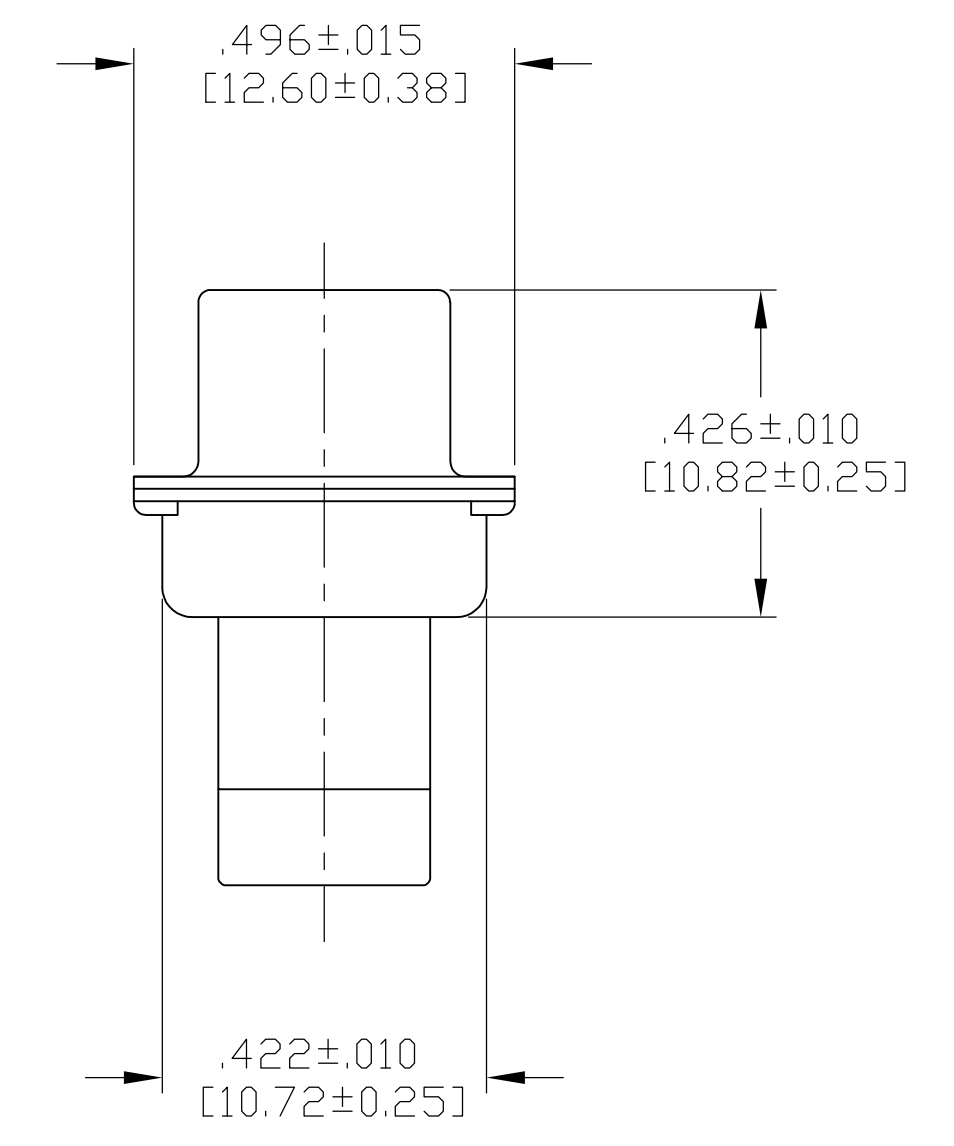
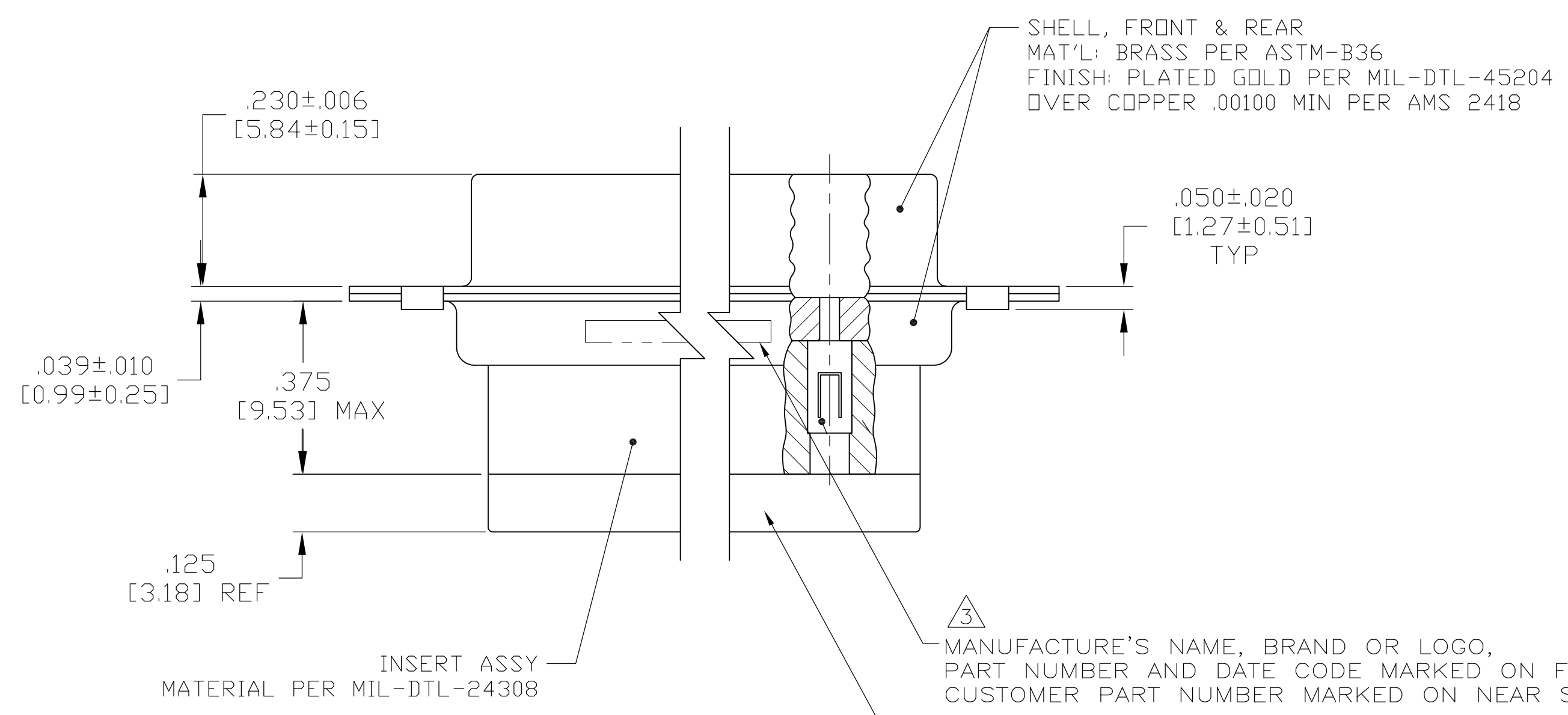


LOC		DIST		REVISIONS			
P	LTR	DESCRIPTION	DATE	DMN	APVD		
J		REV PER ECO 15-005907	5-19-15	CT	DM		



1. THIS CONNECTOR ASSEMBLY IS SUPPLIED WITH Be Cu CONTACT RETENTION CLIPS INSTALLED IN THE INSERT ASSEMBLY.
 2. THIS CONNECTOR ASSEMBLY MATES WITH ANY PLUG CONNECTOR WITH THE SAME INSERT ARRANGEMENT AND DIMENSIONAL REQUIREMENTS PER MIL-C-24308.
 3. MARKED WITH .047 [1.19]-.062 [1.57] HIGH CHARACTERS. FAR SIDE REFERS TO THE WIDE SIDE OF THE KEYSTONE. NEAR SIDE REFERS TO THE NARROW SIDE OF THE KEYSTONE.
 4. MAXIMUM WIRE INSULATION TO BE USED WITH THIS CONNECTOR ASSEMBLY IS .068 [1.73] DIAMETER.
5. SPECIAL REQUIREMENTS PER BOEING 1A01 DOCUMENT.
6. BUILT TO ORDER, NO INVENTORY OF THIS PART NUMBER IS TO BE KEPT. SINGLE LOT DATE CODE REQUIRED.



3. MANUFACTURE'S NAME, BRAND OR LOGO, PART NUMBER AND DATE CODE MARKED ON FAR SIDE. CUSTOMER PART NUMBER MARKED ON NEAR SIDE.

GROMMET MATERIAL: SILICONE RUBBER
COLOR: RED

REMARKS	CUSTOMER MARKING	PART NUMBER
6 7	1A01-028PHW	1-211640-1
--	---	211640-4
7	2A014-033V-001	211640-2
6 7	1A01-028PHA	211640-1

THIS DRAWING IS A CONTROLLED DOCUMENT.

DIMENSIONS: INCHES	TOLERANCES UNLESS OTHERWISE SPECIFIED:	DIN C.C.THOMAS 4-9-09	APVD R LEASE 4-9-09	NAME
0 PLC ± -	1 PLC ± -	2 PLC ± -	3 PLC ± .005 [0.13]	4 PLC ± -
ANGLES ± -				
MATERIAL SEE CALLOUTS	FINISH SEE CALLOUTS	WEIGHT	SIZE A1	CAGE CODE 00779
CUSTOMER DRAWING		SCALE 4:1	SHEET 1 OF 1	REV J

STE TE Connectivity

PLUG ASSY.,AMPLIMITE.25 POSN.,SIZE 3, SERIES 109 WITH GROMMET, NON-MAGNETIC

单击下面可查看定价，库存，交付和生命周期等信息

[>>TE Connectivity\(泰科\)](#)