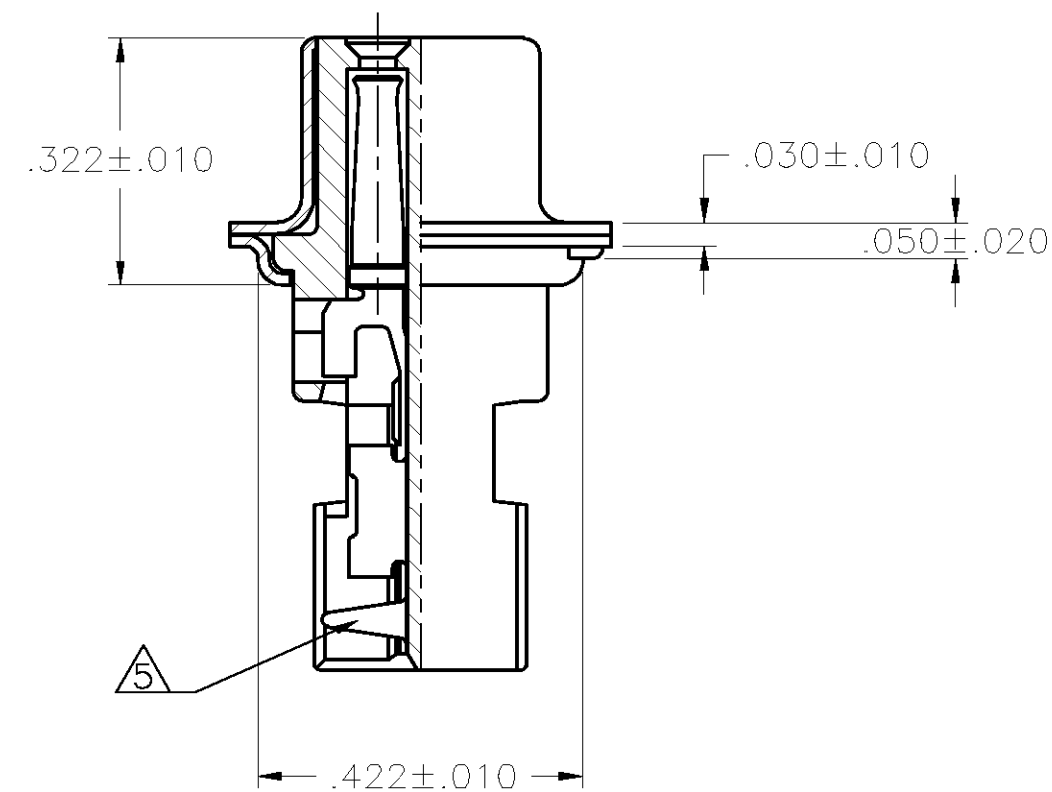
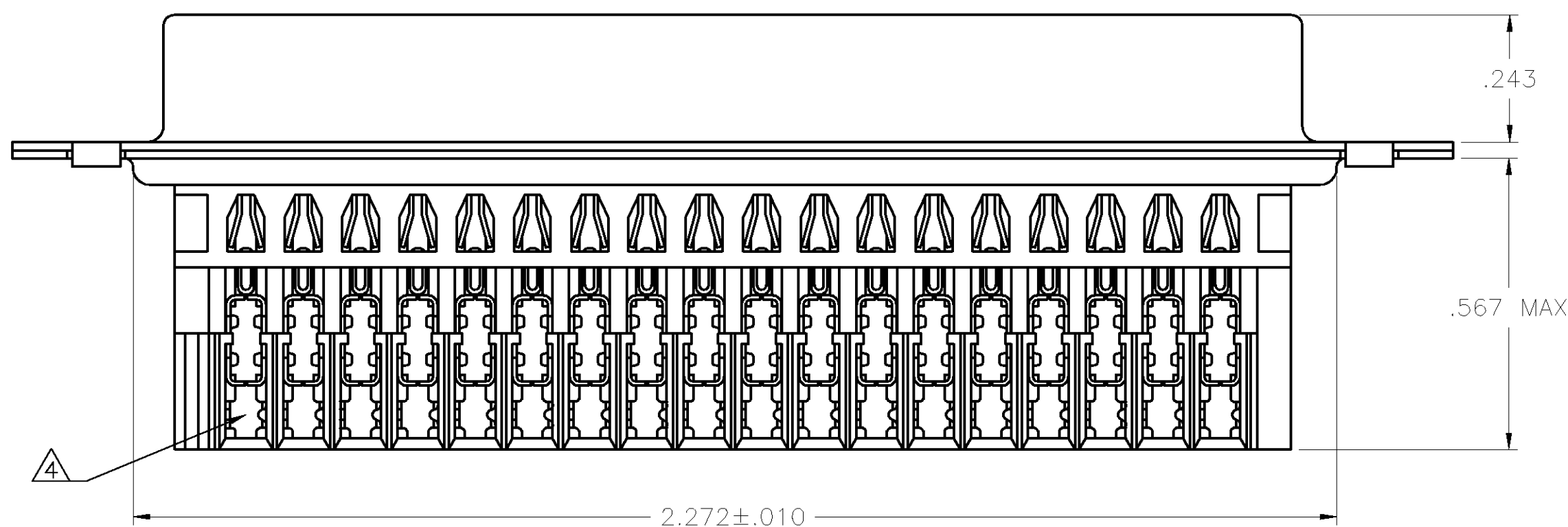
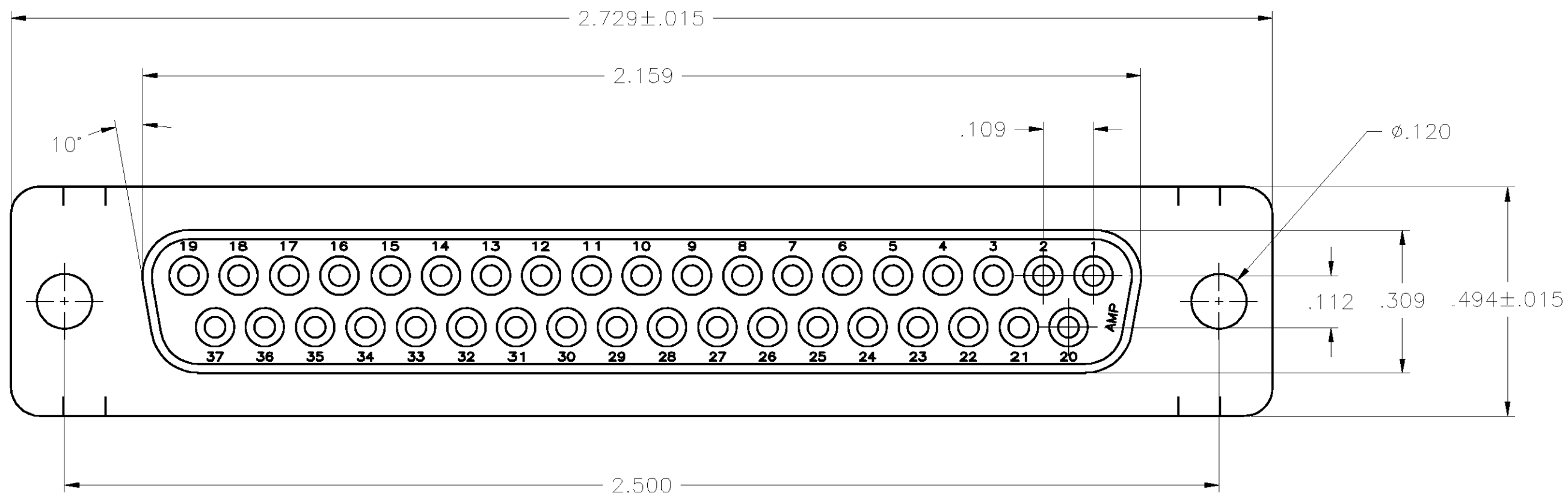


THIS DRAWING IS UNPUBLISHED. RELEASED FOR PUBLICATION  
 © COPYRIGHT BY TYCO ELECTRONICS CORPORATION. ALL RIGHTS RESERVED.

LOC		DIST		REVISIONS			
P	LTR	DESCRIPTION	DATE	DWN	APVD		
GP	00	C	REVISED PER EC 0S13-0257-04	11-16-04	LV	JG	



- ① INSERT: THERMOPLASTIC, 94V-0 RATED, COLOR BLACK.  
SHELLS: STEEL PER ASTM A109.  
CONTACTS: PHOS BRONZE PER QQ-B-750.
- ② SHELLS: .000200 MIN BRIGHT TIN OR BRIGHT TIN-LEAD OVER .000100 MIN COPPER.  
CONTACTS: .000030 MIN GOLD FOR LENGTH OF .100 MIN ON MATING END, .000100 MIN BRIGHT TIN OR BRIGHT TIN-LEAD ON TERMINATION END, ALL OVER .000030 MIN NICKEL.
- ③ SHELLS: .000200 MIN TIN OVER .000100 MIN COPPER.  
CONTACTS: .000030 MIN GOLD FOR LENGTH OF .100 MIN ON MATING END, .000100 MIN TIN ON TERMINATION END, .000050 MIN NICKEL UNDERPLATE ON ENTIRE CONTACT.
- ④ NUMBER ON CONTACT INDICATES WIRE RANGE.
- ⑤ CONTACT INSULATION RANGE IS .060 MAX OD, WIRE RANGE IS #22-26.

**COPYRIGHT 2002  
 TYCO ELECTRONICS CORP  
 ALL RIGHTS RESERVED**

③	1-747562-0
②	747562-2
FINISH	PART NUMBER

THIS DRAWING IS A CONTROLLED DOCUMENT.		DWN	J.GERACE	30OCT02	 Tyco Electronics Corporation Harrisburg, PA 17105-3608	
DIMENSIONS: INCHES		CHK	S.BOLASH	30OCT02		
TOLERANCES UNLESS OTHERWISE SPECIFIED:		APVD	M.WALMSLEY	30OCT02		
0 PLC ± - 1 PLC ± - 2 PLC ± - 3 PLC ± .005 4 PLC ± - ± 2° ANGLES ± 2° FINISH SEE TABLE		PRODUCT SPEC	108-40011			
MATERIAL		APPLICATION SPEC	114-40002		NAME	RECEPTACLE ASSEMBLY, SIZE 4, 37 POS, METAL SHELL, MASS TERMINATION, AMPLIMITE HDE-20
①		WEIGHT	-		SIZE	A2
		CUSTOMER DRAWING	CAGE CODE	00779	DRAWING NO	C=747562
		SCALE	4:1		SHEET	1 OF 1
		REV	C		RESTRICTED TO	-

单击下面可查看定价，库存，交付和生命周期等信息

[>>TE Connectivity\(泰科\)](#)