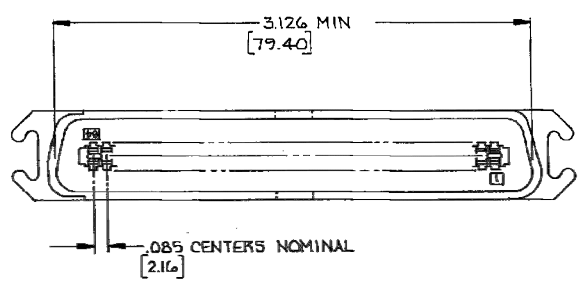
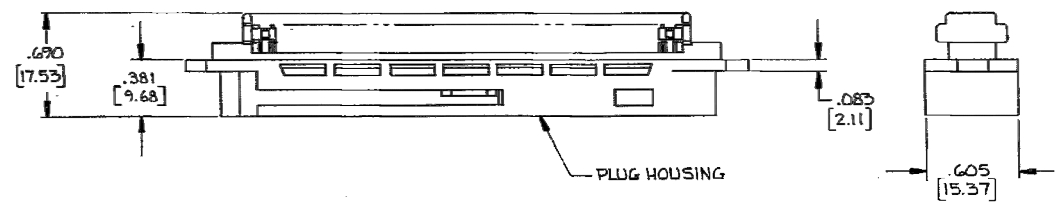
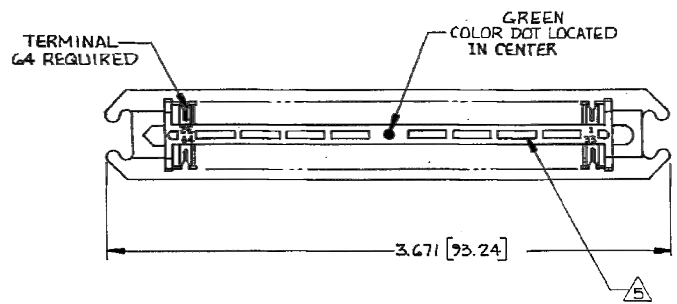


THIS DRAWING IS UNPUBLISHED. RELEASED FOR PUBLICATION
 © COPYRIGHT BY TYCO ELECTRONICS CORPORATION. ALL RIGHTS RESERVED.

| LOC | | DIST | | REVISIONS | | | |
|-----|-----|-------------|---------------------------|-----------|---------|--|--|
| # | LTR | DESCRIPTION | DATE | DWN | APVD | | |
| GP | 00 | J | REVISED PER ECC-08-007327 | 27JAN2009 | ZMR/WLM | | |



1. THE CONTACT SURFACES OF THE TERMINALS ARE COATED WITH LUBRICANT.
2. ALL DIMENSIONS SHOWN ARE FOR REFERENCE ONLY UNLESS OTHERWISE SPECIFIED.
3. MATERIAL:
 HOUSING - POLYPHENYLENE OXIDE (BLACK)
 TERMINALS - BERYLLIUM COPPER PLATED WITH EITHER .000030 [0.76μm] MIN GOLD OR GOLD FLASH OVER PALLADIUM NICKEL .000030 [0.76μm] MIN TOTAL, IN LOCALIZED GOLD PLATED AREA. .000050 [1.27μm] MIN NICKEL UNDERPLATE OVER ENTIRE TERMINAL.
4. WIRE SIZE: 22 AWG SOLID OR 22 AWG 7 STRANDS OF COPPER CONDUCTORS. MAX INSULATION DIAMETER OF .045 IS ACCEPTABLE FOR MOST APPLICATIONS.
5. CORING MAY OR MAY NOT APPEAR AND IS AT THE DISCRETION OF TYCO ELECTRONICS.
6. DIMENSIONS IN BRACKETS [] ARE MILLIMETERS.

| | |
|-------------|----------|
| AS SHOWN | 552320-1 |
| DESCRIPTION | PART NO |

| | | | | |
|--|----------------|-------------------------------|---|----------------------|
| THIS DRAWING IS A CONTROLLED DOCUMENT. | | DWN D. BUTNER 5-3-90 | Tyco Electronics Corporation Harrisburg, PA 17105-3608 | |
| DIMENSIONS: INCHES | | CHK A. HOLT 5-15-90 | NAME | |
| TOLERANCES UNLESS OTHERWISE SPECIFIED: | | APVD J. TRAMMEL 5-17-90 | PRODUCT SPEC | |
| 0 PLC ± .0005 | 1 PLC ± .0010 | APPLICATION SPEC | | |
| 2 PLC ± .0015 | 3 PLC ± .0020 | WEIGHT | | |
| 4 PLC ± .0025 | ANGLES ± .0005 | FINISH | | |
| MATERIAL | RESTRICTED TO | SIZE A2 | CAGE CODE 00779 | DRAWING NO 552320 |
| CUSTOMER DRAWING | SCALE | NTS | SHEET | 1 OF 1 |

AMP 1471-9 REV 31MAR2000

单击下面可查看定价，库存，交付和生命周期等信息

[>>TE Connectivity\(泰科\)](#)