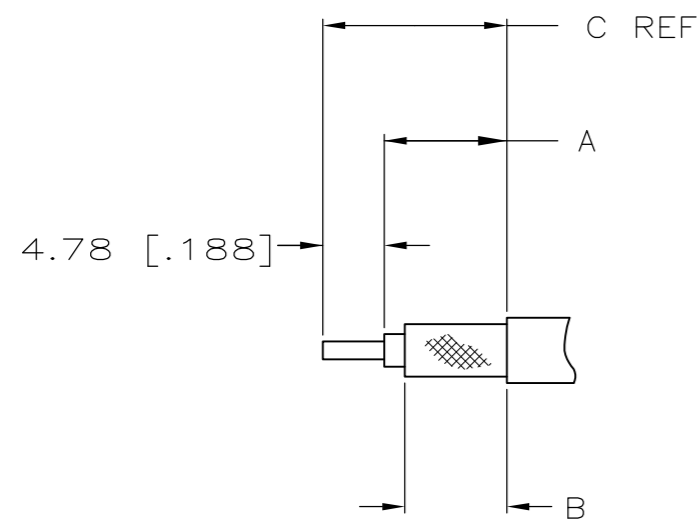
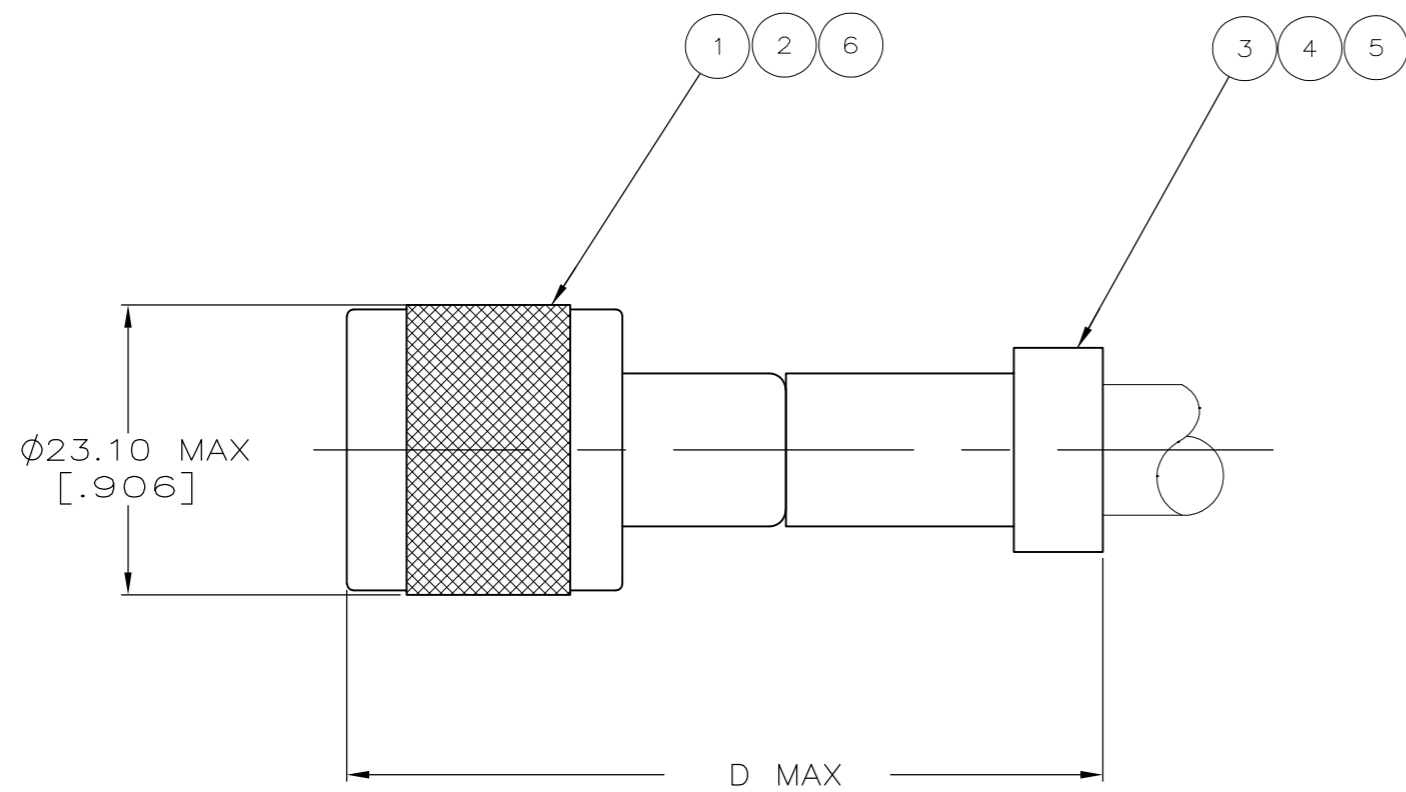
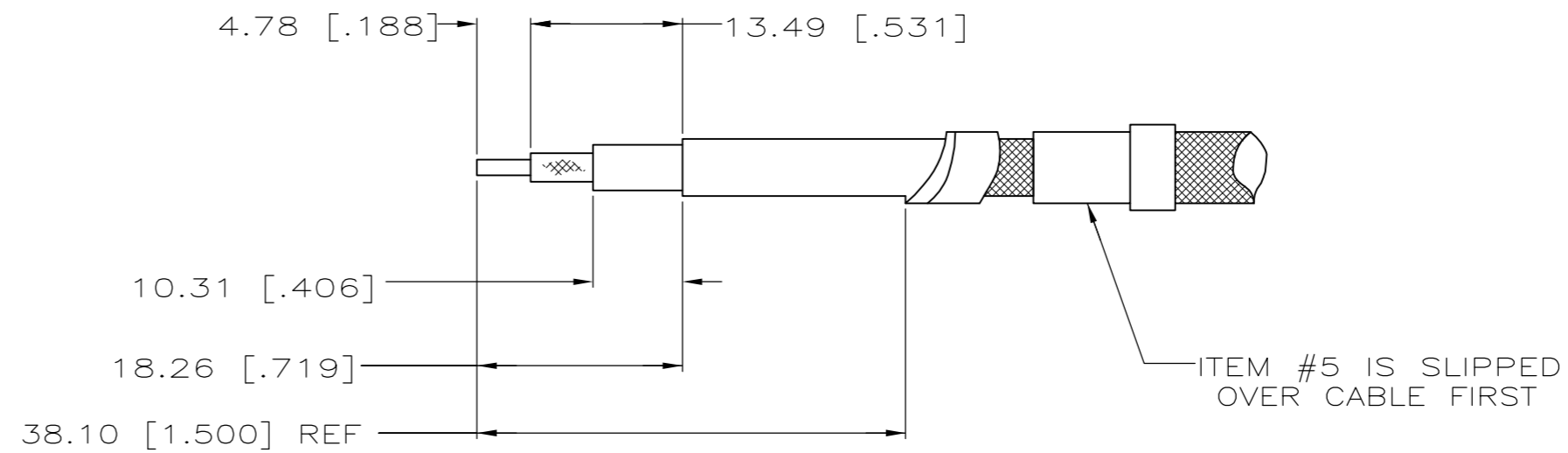


THIS DRAWING IS UNPUBLISHED. RELEASED FOR PUBLICATION
 © COPYRIGHT - By - ALL RIGHTS RESERVED.

REVISIONS					
P	LTR	DESCRIPTION	DATE	DWN	APVD
H		REVISED PER ECR-15-017683	07DEC2015	NL	RS



RECOMMENDED STRIP LENGTH FOR STANDARD COAX CABLE



RECOMMENDED STRIP LENGTH FOR ARMOR CABLE

- 1 FOR USE WITH: RG-149/U, & 391/U STANDARD CABLE.
- 2 FOR USE WITH: RG-150/U, & 392/U ARMOR CABLE.
- 3 USE CRIMPING TOOL: 220015-1 FOR STANDARD CABLE.
- 4 USE CRIMPING TOOLS: 220015-1, & 220042-1 FOR ARMOR CABLE.
- 5 USE CRIMPING TOOL: 220045-3
- 6 USE CRIMPING TOOL: 220045-2
- 7. SEE I.S.: 2338
- 8 P/N 225744-4 IS RATED AT 2300 VAC.

OBSOLETE	RG-142 B/U CABLE 6	225592-2	-	-	225560-2	1-225343-2	227560-1	1-225744-5
	1 2 3 4	-	225326-2	225325-2	1-331987-9	226719-2	225745-3	225744-8
OBSOLETE	RG-302/U CABLE 5	225592-3	-	-	1-225560-5	1-225343-0	227560-2	225744-6
8 OBSOLETE	RG-59/U CABLE 5	225592-3	-	-	225560-3	1-225343-0	227560-2	225744-4
	1 2 3 4	-	9-225326-0	9-225325-0	9-331987-5	226719-2	9-225745-0	225744-3
OBSOLETE	RG-9/U,9A/U,9B/U,& 214/U CABLE 3	332022	-	-	331987	225753-2	225745-1	225744-2
	FOR USE WITH	6 SEAL QTY=1	5 FERRULE ARMOR QTY=1	4 FERRULE BRAID QTY=1	3 FERRULE QTY=1	2 CONTACT QTY=1	1 PLUG ASSY QTY=1	PART NUMBER

53.59[2.110]	17.48[.688]	9.53[.375]	12.70[.500]	1-225744-5
57.94[2.281]	22.25[.876]	12.70[.500]	17.48[.688]	225744-8
53.59[2.110]	14.30[.563]	6.35[.250]	9.53[.375]	225744-6
53.59[2.110]	14.30[.563]	7.92[.312]	9.53[.375]	225744-4
57.94[2.281]	22.25[.876]	12.70[.500]	17.48[.688]	225744-3
57.94[2.281]	22.25[.876]	12.70[.500]	17.48[.688]	225744-2
D	C	B	A	PART NUMBER

THIS DRAWING IS A CONTROLLED DOCUMENT.

DIMENSIONS: mm [INCHES]

TOLERANCES UNLESS OTHERWISE SPECIFIED:

0 PLC	± -
1 PLC	± -
2 PLC	± 0.41 [.016]
3 PLC	± -
4 PLC	± -
ANGLES	± -

DWN	S.D.KOHL	06-05-91
CHK	M. SNEED	10-1-91
APVD	R. HENRY	10-1-91
PRODUCT SPEC	108-12066	
APPLICATION SPEC	-	
WEIGHT	-	

PLUG, WEATHERPROOF, SERIES HN			
SIZE	CAGE CODE	DRAWING NO	RESTRICTED TO
A2	00779	C=225744	-
CUSTOMER DRAWING		SCALE	SHEET
		2:1	1 of 1
		REV	H

单击下面可查看定价，库存，交付和生命周期等信息

[>>TE Connectivity\(泰科\)](#)