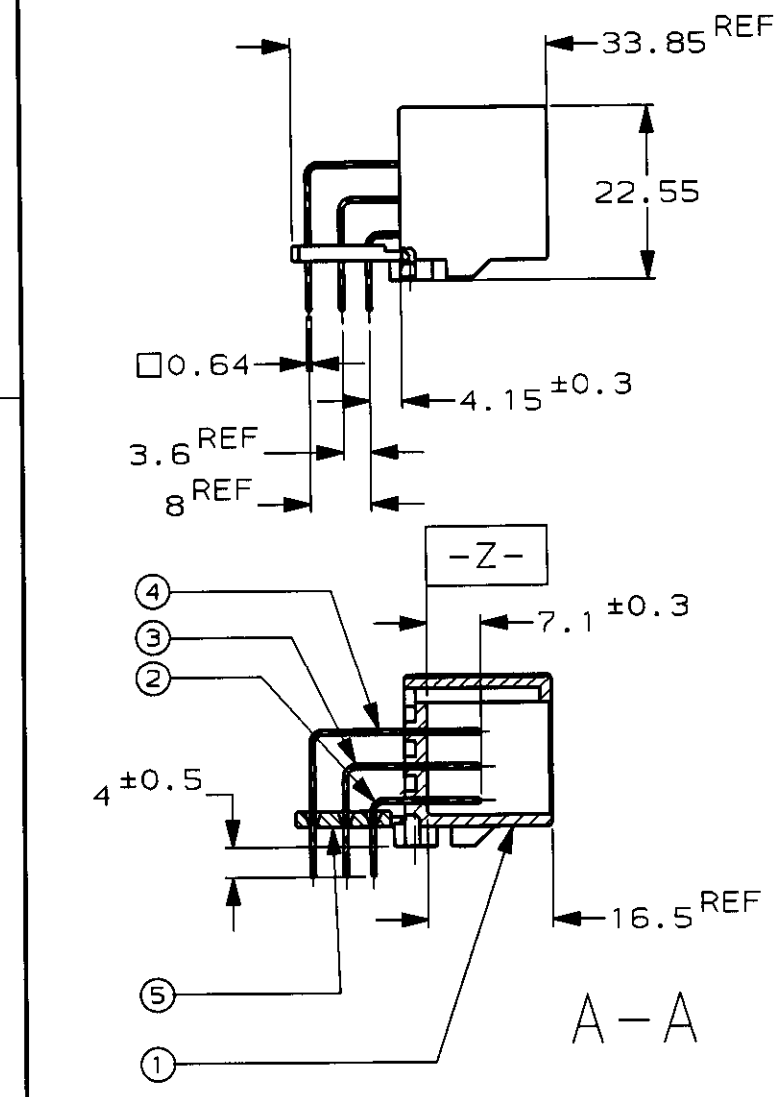
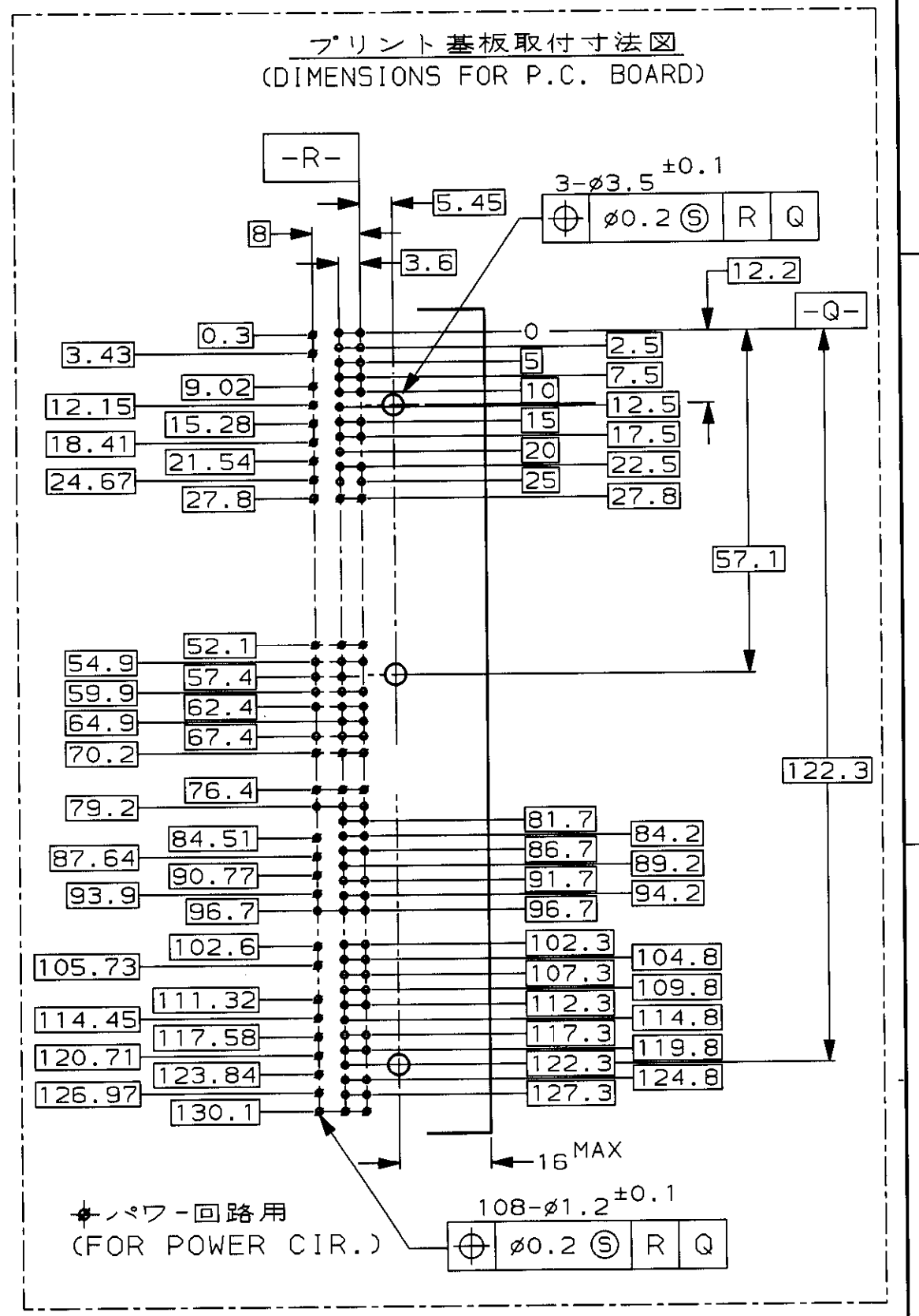
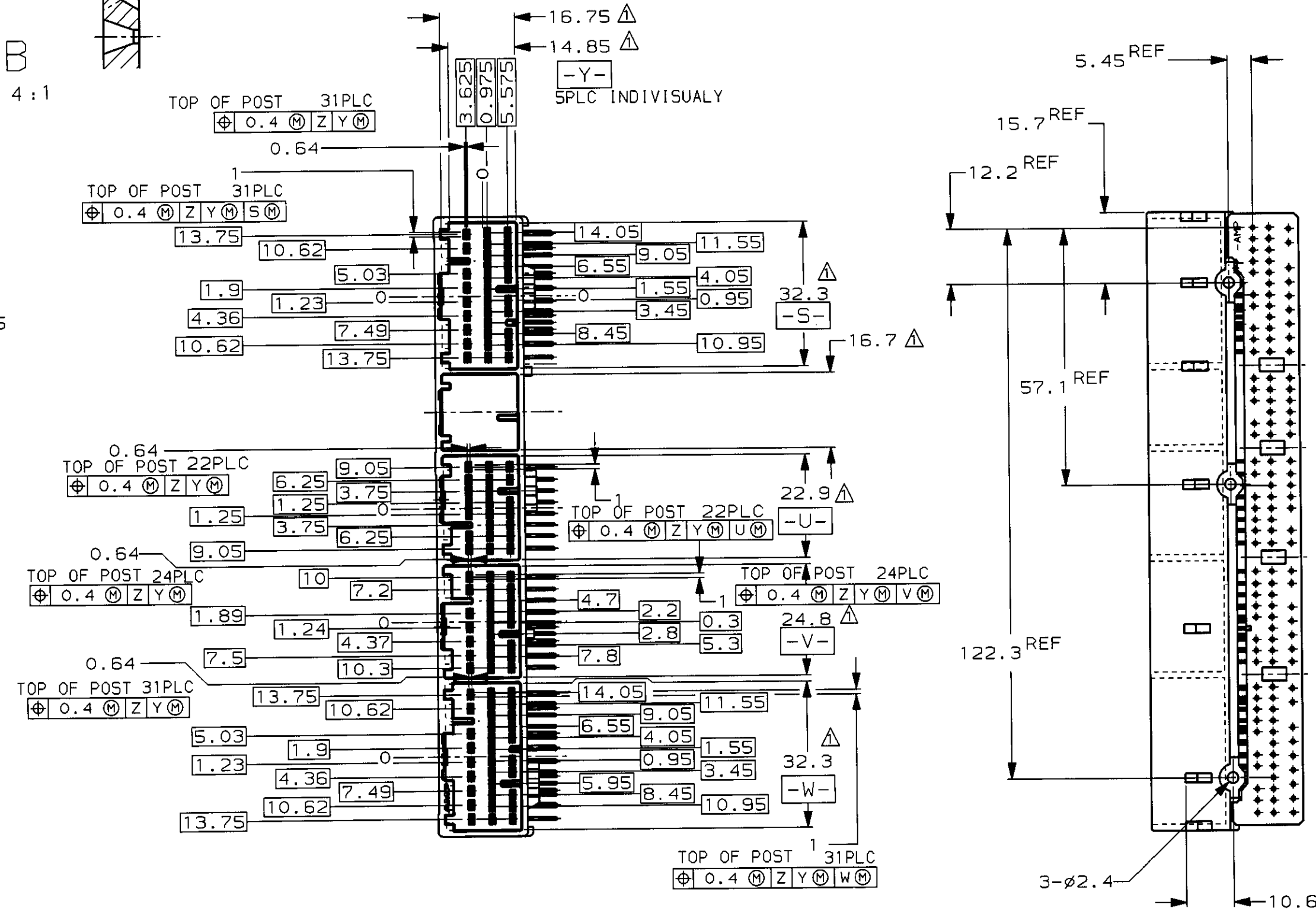
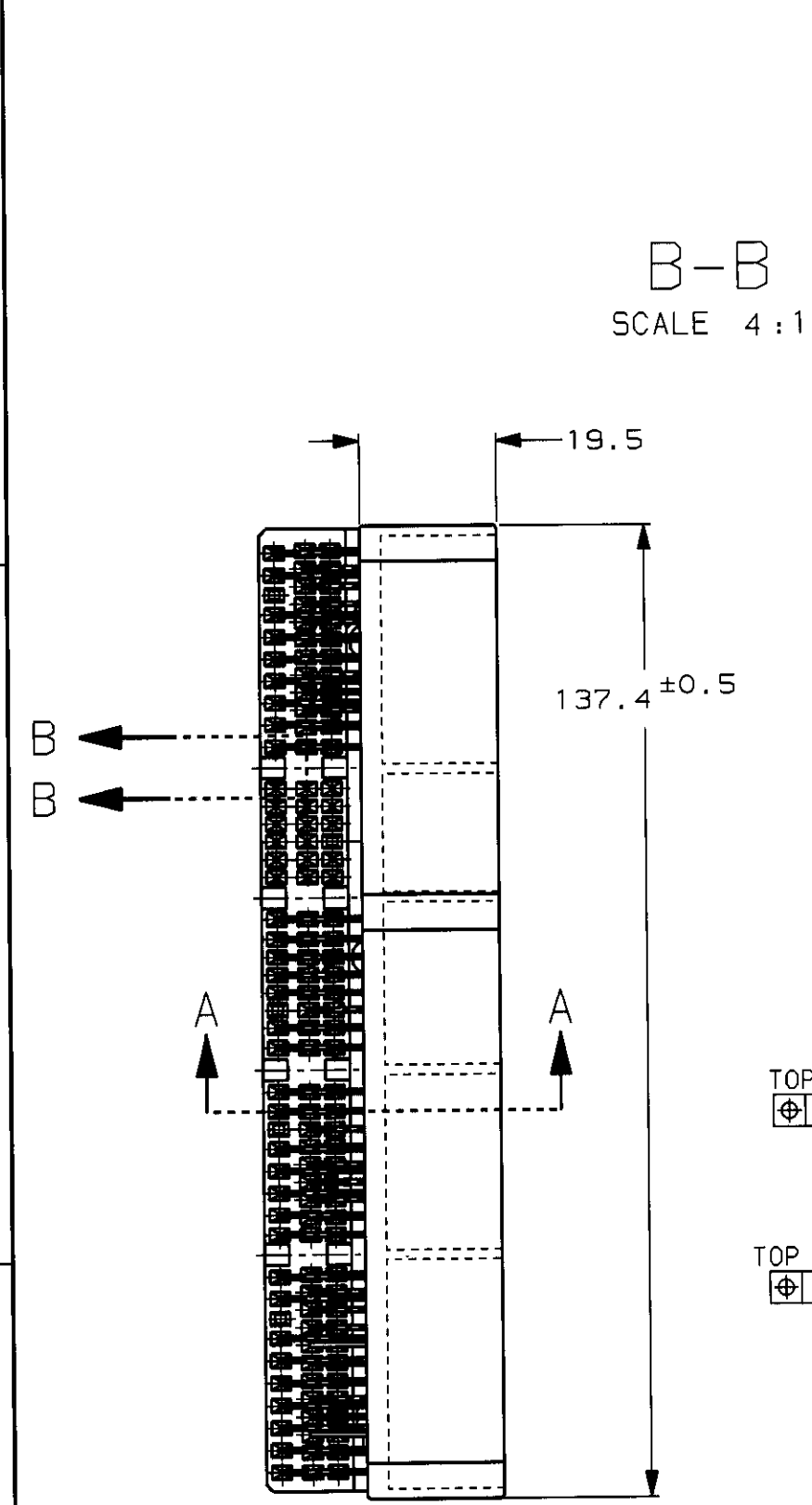
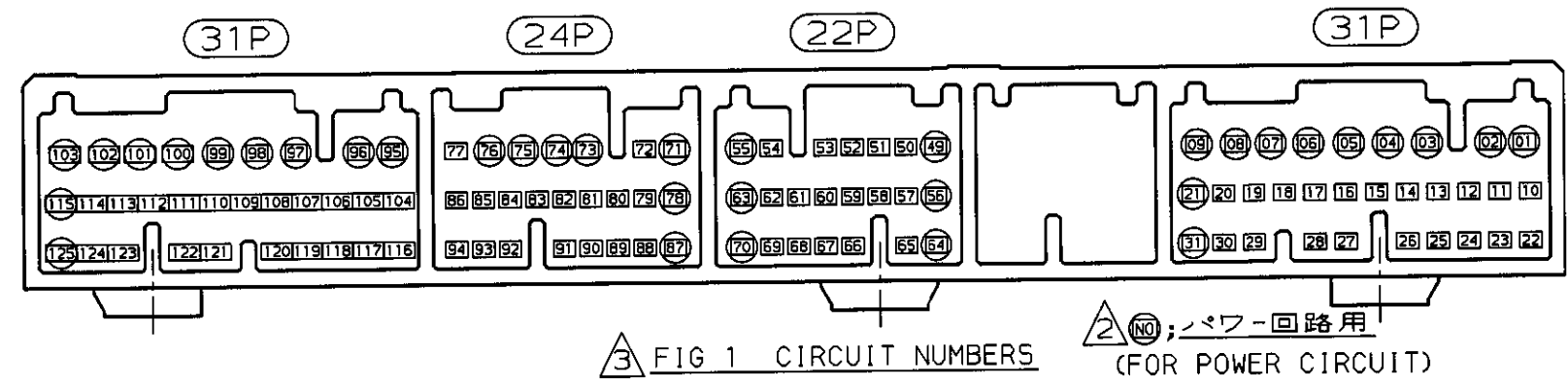


REVISIONS						
REV	DATE	BY	CHK	APVD	DESCRIPTION	ECN
0	30SEP99	YF	KO		DRAWN	FJ00-1684-99



- | | |
|---|---|
| <p>△1 乙面より7.5mmの位置で測定
 △2 パワ-回路(35極); FIG 1 参照
 △3 回路番号; FIG 1 参照</p> <p>4. 嵌合相手ハウジング型番
 22P; 353028
 24P; 353029, 31P; 1318682, 353826</p> <p>5. 推奨取付ねじ: JIS B1115、B1122
 タッピングねじ、なべ2種、呼び径3、
 長さ6以下</p> <p>6. ねじ締付トルク: 0.392N・m MAX</p> <p>7. 取扱説明書 411-5931</p> | <p>△1 MEASURED AT THE SECTION 7.5mm FROM Z.
 △2 POWER CIRCUITS (35); SEE FIG 1
 △3 CIRCUIT NUMBERS; SEE FIG 1</p> <p>4. PART NO OF PLUG HOUSINGS TO BE MATED
 22P; 353028, 24P; 353029
 31P; 1318682, 353826</p> <p>5. RECOMMENDED SCREW: PAN-HEADED, TYPE 2
 TAPPING SCREW OF 3DIA X 6LEN(MAX)
 (JIS B1115, B1122).</p> <p>6. FASTENING TORQUE FOR SCREW: 0.392N・m MAX.</p> <p>7. INSTRUCTION SHEET 411-5931</p> |
|---|---|



FINISH/COLOR	MATERIAL	NAME	QTY	ITEM NO
NATURAL	PBT	TINE PLATE	1	⑤
PRE-TIN	COPPER ALLOY	TAB CONTACT(L)	32	④
PRE-TIN	COPPER ALLOY	TAB CONTACT(M)	41	③
PRE-TIN	COPPER ALLOY	TAB CONTACT(S)	35	②
NATURAL	PBT	CAP HOUSING	1	①

THIS DRAWING IS A CONTROLLED DOCUMENT FOR AMP INCORPORATED. IT IS SUBJECT TO CHANGE AND THE CONTROLLING ENGINEERING ORGANIZATION SHOULD BE CONTACTED FOR THE LATEST REVISION.

AMP 日本エー・エム・ピー株式会社
 Kawasaki, Japan

040 III HIGH DENSITY CONNECTOR
 108POS CAP HOUSING ASSY

SIZE: A2 CAGE CODE: 00779 DRAWING NO: 1318613

WEIGHT: 39.8g

CUSTOMER DRAWING

单击下面可查看定价，库存，交付和生命周期等信息

[>>TE Connectivity\(泰科\)](#)