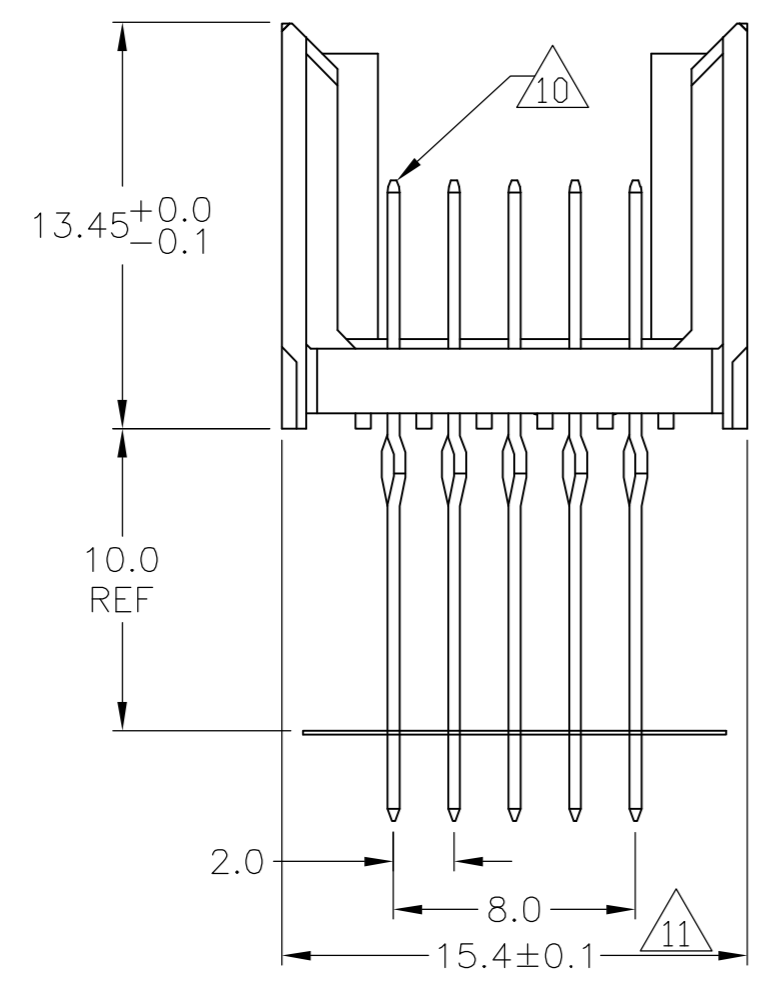
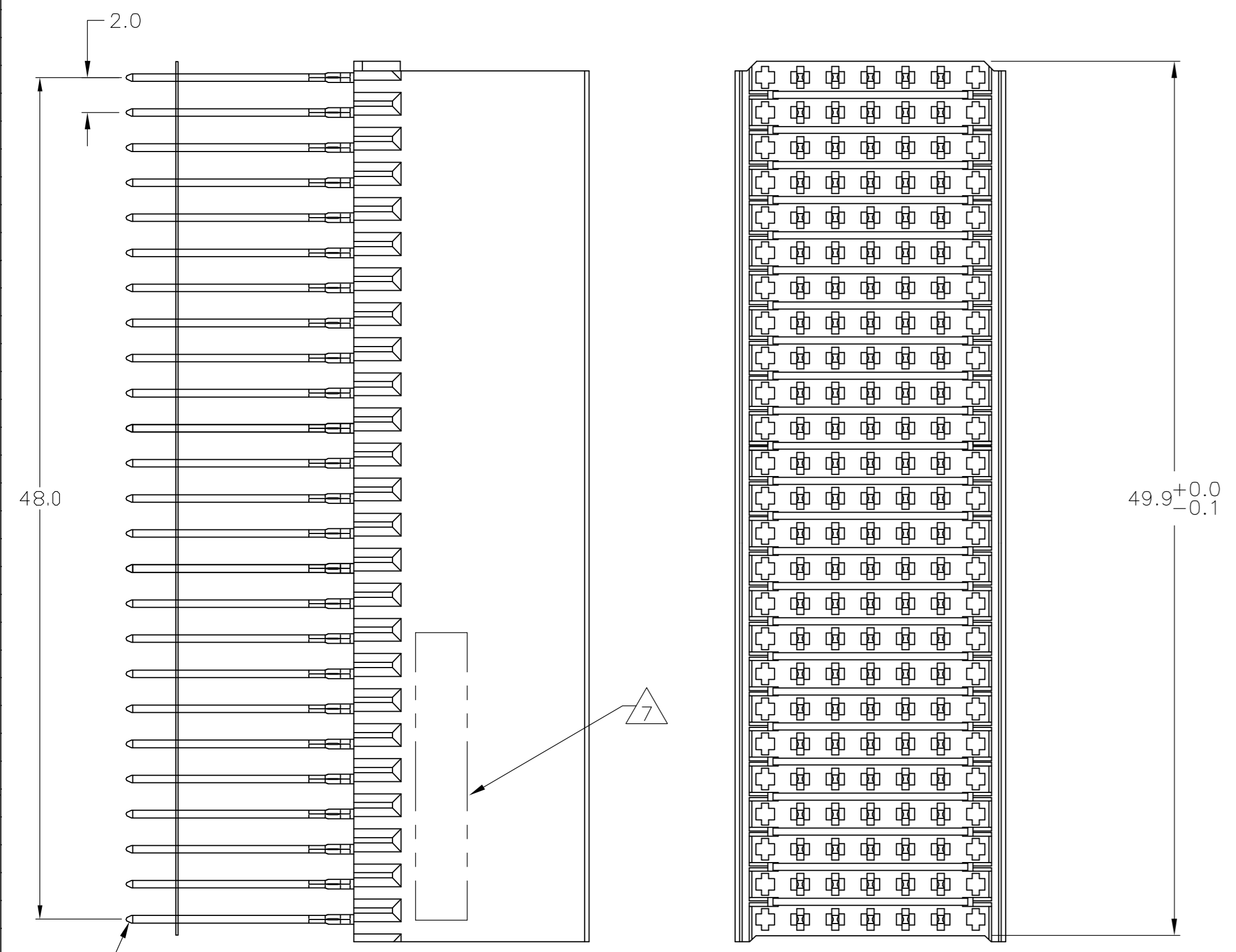
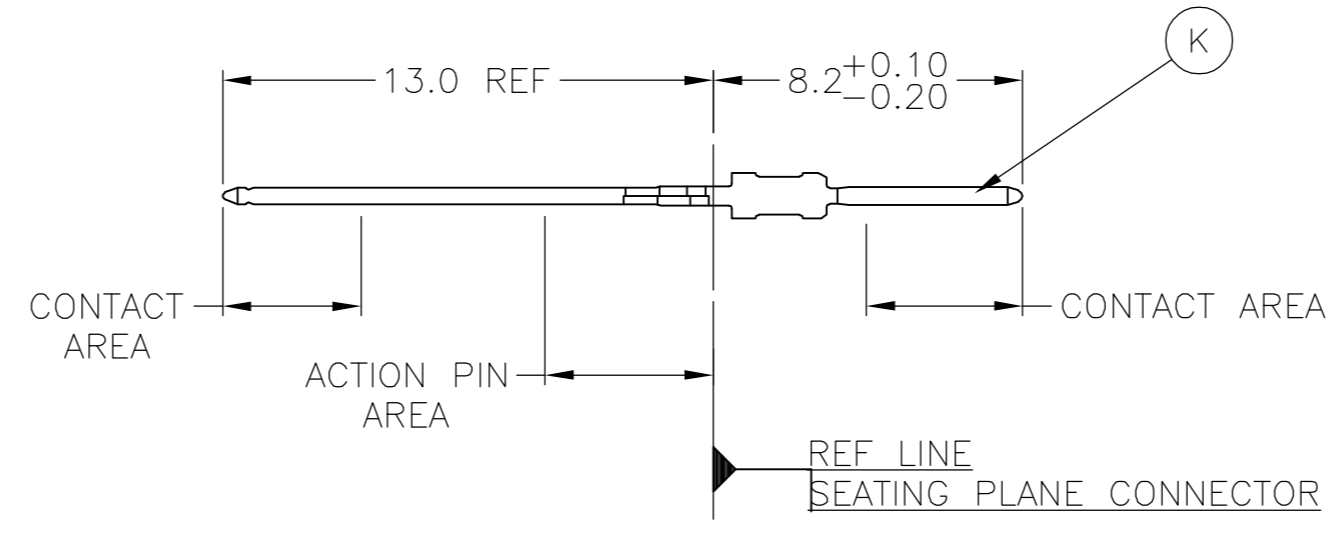


CONNECTOR ASSEMBLY EXAMPLARY LOADED



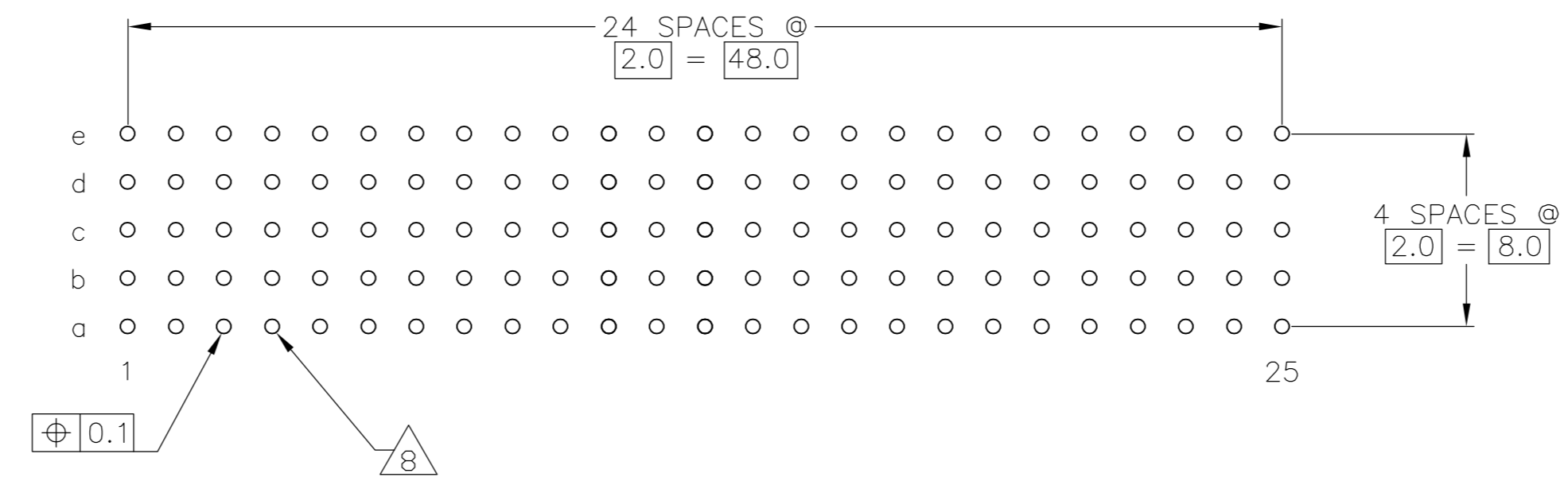
CONTACT DIMENSIONS SCALE 5:1



CONTACT LAYOUT

	z	a	b	c	d	e	f
1		K	K	K	K	K	
2		K	K	K	K	K	
3		K	K	K	K	K	
4		K	K	K	K	K	
5		K	K	K	K	K	
6		K	K	K	K	K	
7		K	K	K	K	K	
8		K	K	K	K	K	
9		K	K	K	K	K	
10		K	K	K	K	K	
11		K	K	K	K	K	
12		K	K	K	K	K	
13		K	K	K	K	K	
14		K	K	K	K	K	
15		K	K	K	K	K	
16		K	K	K	K	K	
17		K	K	K	K	K	
18		K	K	K	K	K	
19		K	K	K	K	K	
20		K	K	K	K	K	
21		K	K	K	K	K	
22		K	K	K	K	K	
23		K	K	K	K	K	
24		K	K	K	K	K	
25		K	K	K	K	K	

RECOMMENDED PCB-HOLE LAYOUT COMPONENT SIDE SHOWN



PLATED THRU HOLES PARAMETERS REFERENCE APPLICATION SPECIFICATION

2	6	12	1-5106165-9
2	5	12	5106165-9
2	4		5106165-4
2	3		5106165-1
FINISH			PART NUMBER

THIS DRAWING IS A CONTROLLED DOCUMENT.

DWG: B. CARBO	24JAN05	tyco Electronics	Tyco Electronics Corporation
DWG: G. SKIPPER	24JAN05		Harrisburg, Pa 17105-3608
APVD: G. SKIPPER	24JAN05	NAME	MALE ASSEMBLY, Z-PACK 2mm HM, TYPE B
DIMENSIONS: mm	TOLERANCES UNLESS OTHERWISE SPECIFIED:	PRODUCT SPEC	108-19082
0 PLC ± -	1 PLC ± 0.1	APPLICATION SPEC	114-19029
2 PLC ± -	3 PLC ± -	SIZE	A1
4 PLC ± -	ANGLES ± -	WEIGHT	00779
MATERIAL	FINISH SEE TABLE	CUSTOMER DRAWING	SCALE 4:1
			SHEET 1 OF 2

THIS DRAWING IS UNPUBLISHED. RELEASED FOR PUBLICATION
 © COPYRIGHT BY TYCO ELECTRONICS CORPORATION. ALL RIGHTS RESERVED.

LOC		DIST		REVISIONS			
P	LTR	DESCRIPTION	DATE	DNW	APVD		
AD	00	SEE SHEET 1					

- 1 MATERIAL:
CONTACT: PHOSPHOR BRONZE.
HOUSING: GLASS-FILLED POLYESTER.
- 2 GENERAL PLATING SPECIFICATION: UNDERPLATING
(ENTIRE CONTACT): 1.27µm MIN NICKEL AND ACTION
PIN: 0.5µm MIN TIN.
FOR PLATING OF MATING SURFACES SEE APPLICABLE
SPECIFICATION REFERENCE FOR EACH DASH NUMBER.
- 3 CONFORMS TO ALL TESTING ACCORDING TO IEC 61076-4-101
PERFORMANCE LEVEL 2.
- 4 CONFORMS TO ALL TESTING ACCORDING TO IEC 61076-4-101
PERFORMANCE LEVEL 1.
- 5 CONNECTOR TESTED AND QUALIFIED AGAINST TELCORDIA GR-1217-CORE QUALITY LEVEL 3,
CENTRAL OFFICE APPLICATIONS.
- 6 CONNECTOR TESTED AND QUALIFIED AGAINST TELCORDIA GR-1217-CORE QUALITY LEVEL 3,
UNCONTROLLED ENVIROMENT APPLICATIONS.
- 7 CONNECTOR MARKED WITH PART NUMBER AND DATE CODE.
ADDITIONAL CHARACTERS OR MARKINGS, AS WELL AS THE LOCATION OF THE MARKINGS,
MAY BE ADDED FOR TRACEABILITY BASED UPON MANUFACTURERS DISCRETION.
- 8 PLATED-THROUGH HOLES AT 2x2mm SQUARE GRID
PATTERN DEFINED BY CONTACT LAYOUT.
- 9 FOR ACTUAL PIN LOADING SEE "CONTACT LAYOUT".
- 10 FOR ACTUAL PIN DIMENSIONS SEE "CONTACT DIMENSIONS".
- 11 TO BE MEASURED AT BOTTOM OF SHROUD.
- 12 CONNECTOR LUBRICATED WITH BELCORE APPROVED LUBRICANT,
TECHNICAL REFERENCE: TR-NWT-001217 ISSUE 1, SEP 1992.

THIS DRAWING IS A CONTROLLED DOCUMENT.		DIN B CARBO	24JAN05	tyco Electronics	Tyco Electronics Corporation Harrisburg, Pa 17105-3608	
		CHK G SKIPPER	24JAN05			
DIMENSIONS: mm		TOLERANCES UNLESS OTHERWISE SPECIFIED:		APVD G SKIPPER	24JAN05	NAME
		0 PLC ± -	1 PLC ± 0.1	PRODUCT SPEC		MALE ASSEMBLY, Z-PACK 2mm HM, TYPE B
		2 PLC ± -	3 PLC ± -	APPLICATION SPEC		
		4 PLC ± -	ANGLES ± ±	114-19029		SIZE
MATERIAL	SEE SHEET 1	FINISH	1 SEE SHEET 1	WEIGHT	-	RESTRICTED TO
				A1	00779	DRAWING NO
				C=5106165		
CUSTOMER DRAWING				SCALE	4:1	SHEET
					2	OF 2
						REV
						A

单击下面可查看定价，库存，交付和生命周期等信息

[>>TE Connectivity\(泰科\)](#)