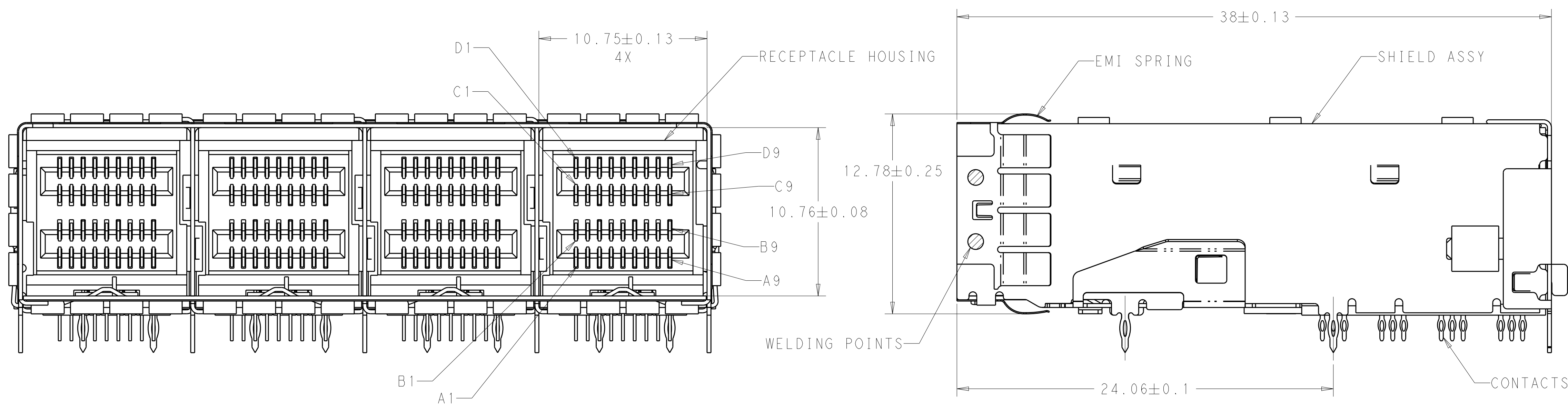
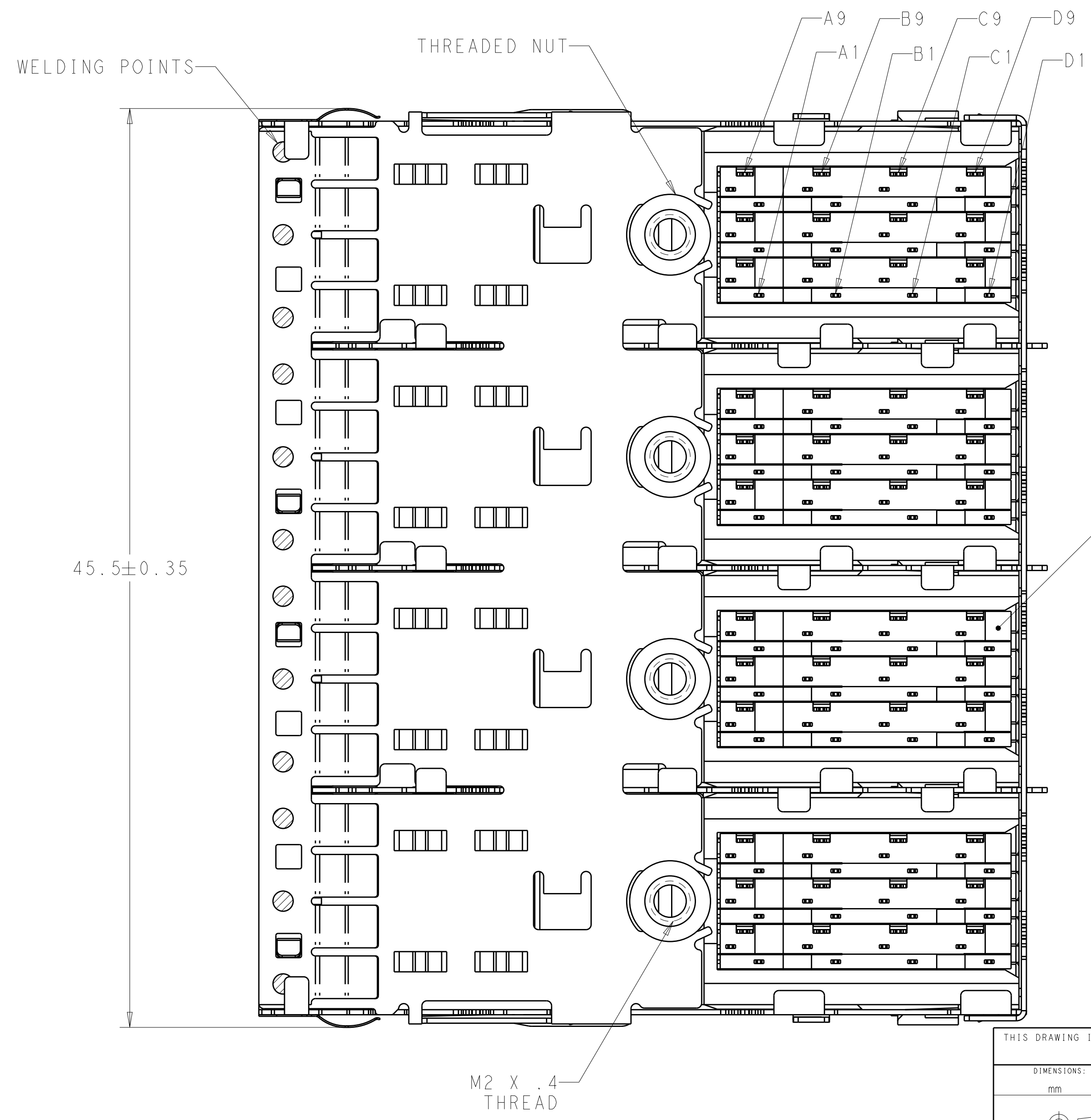


LOC		DIST		REVISIONS			
P	LTN	DESCRIPTION	DATE	DWN	APVD		
A		INITIAL RELEASE	18FEB2014	BM	DG		
B		REVISED PER ECO-15-013876	19JUN2016	JY	SH		



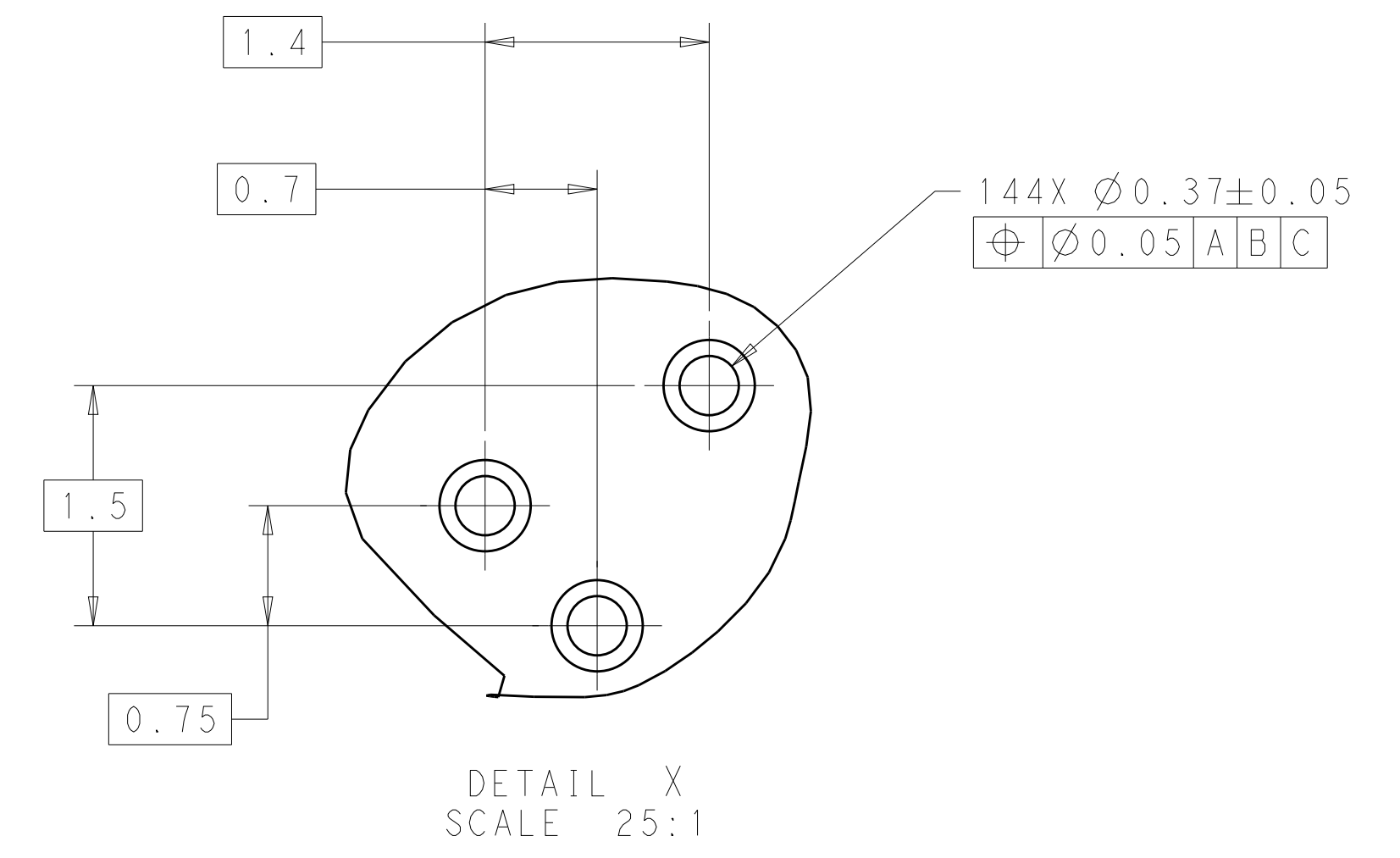
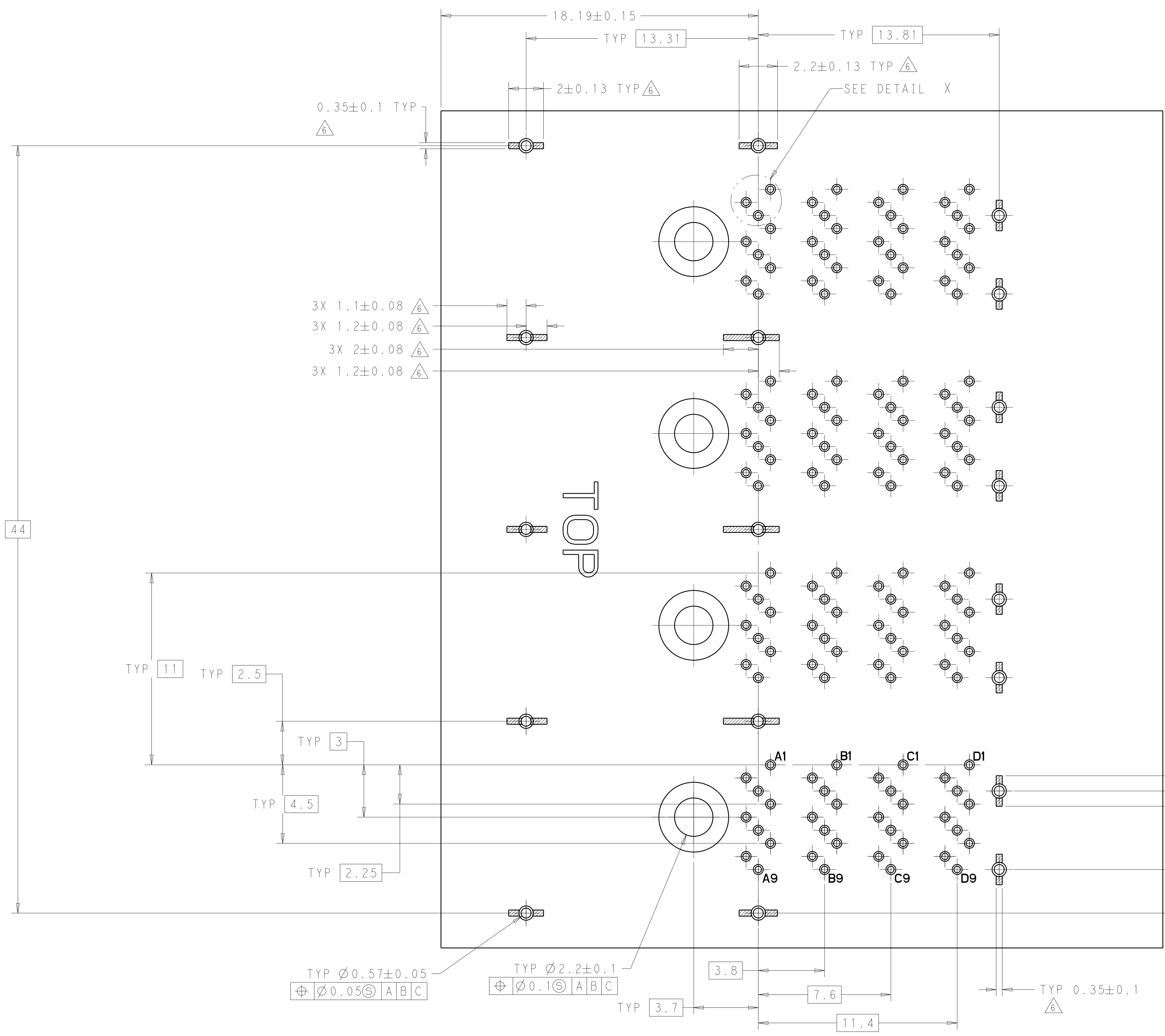
1. MATERIALS  
 RECEPTACLE HOUSING, LCP, BLACK, UL94V-0 RATED  
 SHIELD ASSY: NICKEL SILVER COPPER ALLOY  
 CONTACTS: COPPER ALLOY  
 EMI SPRING: COPPER ALLOY  
 THREADED NUT: BRASS  
 CHICKLETS: LCP, BLACK, UL 94V-0 RATED
  2. FINISH  
 EMI SPRING: TIN PLATE OVER NICKEL PLATE  
 NON-PLATED EDGES PERMISSABLE  
 THREADED NUT: NICKEL PLATE
- △ CONTACT FINISH: 0.76µm MIN GOLD PLATE IN CONTACT AREA, 1.25µm MIN TIN ON PCB TAILS. ALL OVER 1.27µm MIN NICKEL UNDERPLATE.
4. THREAD LENGTH OF FASTENER = PCB THICKNESS+1.45 MAX
  5. THIS PRODUCT HAS NOT COMPLETED VALIDATION/QUALIFICATION TESTING
- △ RECOMMENDED TRACE KEEP OUT ZONE



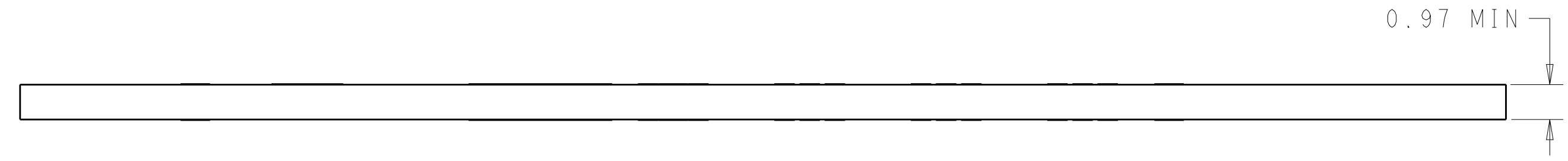
2274680-1  
 PART NUMBER

THIS DRAWING IS A CONTROLLED DOCUMENT.		DWN B. MATTHEWS 18FEB2014	TE Connectivity NAME RECEPTACLE ASSEMBLY, MINI-SAS HD, 4X
DIMENSIONS: mm		CHK D. GORENC 18FEB2014	
TOLERANCES UNLESS OTHERWISE SPECIFIED:		APVD D. GORENC 18FEB2014	PRODUCT SPEC 108-2462
0 PLC ± 1 PLC ± 2 PLC ± 3 PLC ± 4 PLC ± ANGLES ±		APPLICATION SPEC 114-13316	SIZE CAGE CODE DRAWING NO. RESTRICTED TO
MATERIAL		WEIGHT	A100779C=2274680
FINISH		CUSTOMER DRAWING	SCALE 6:1 SHEET 1 OF 3 REV B

LOC		DIST		REVISIONS			
P	LTN	DESCRIPTION	DATE	DWN	APVD		
-	-	SEE SHEET 1	-	-	-		



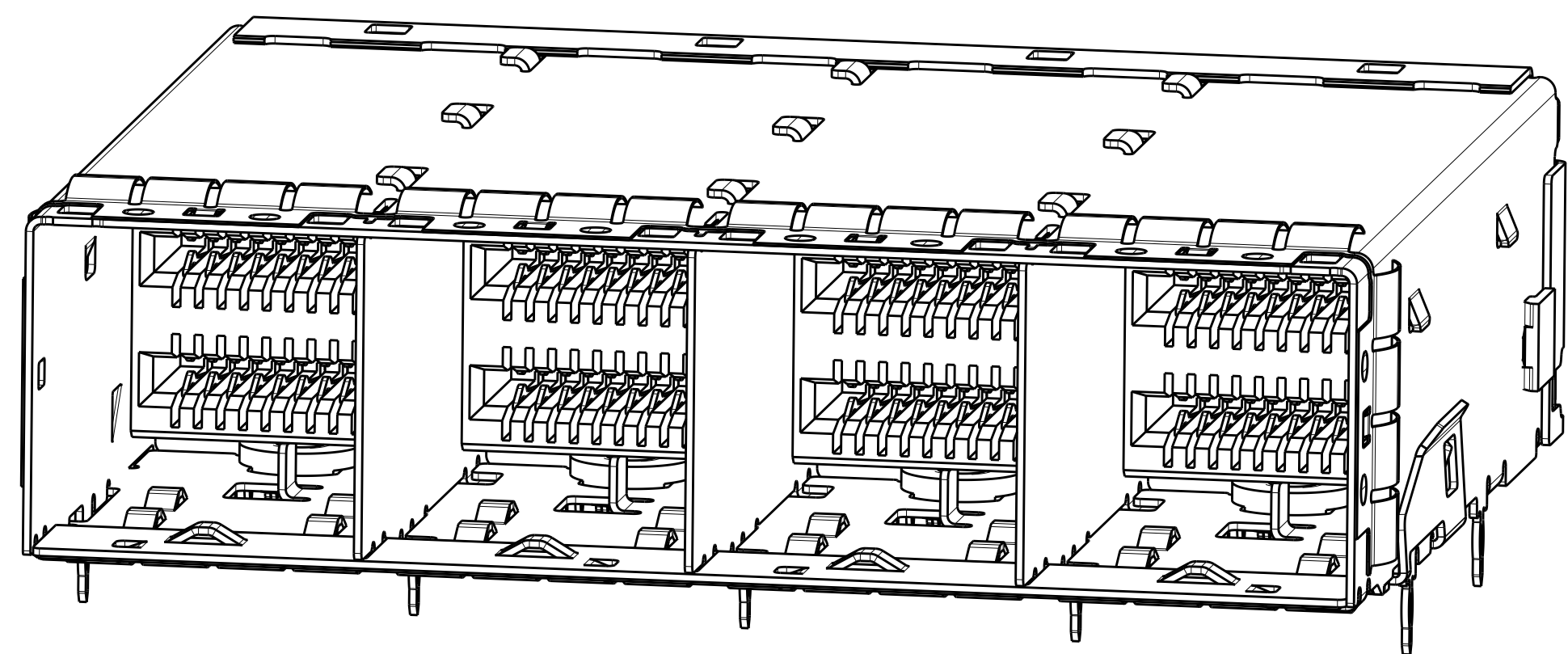
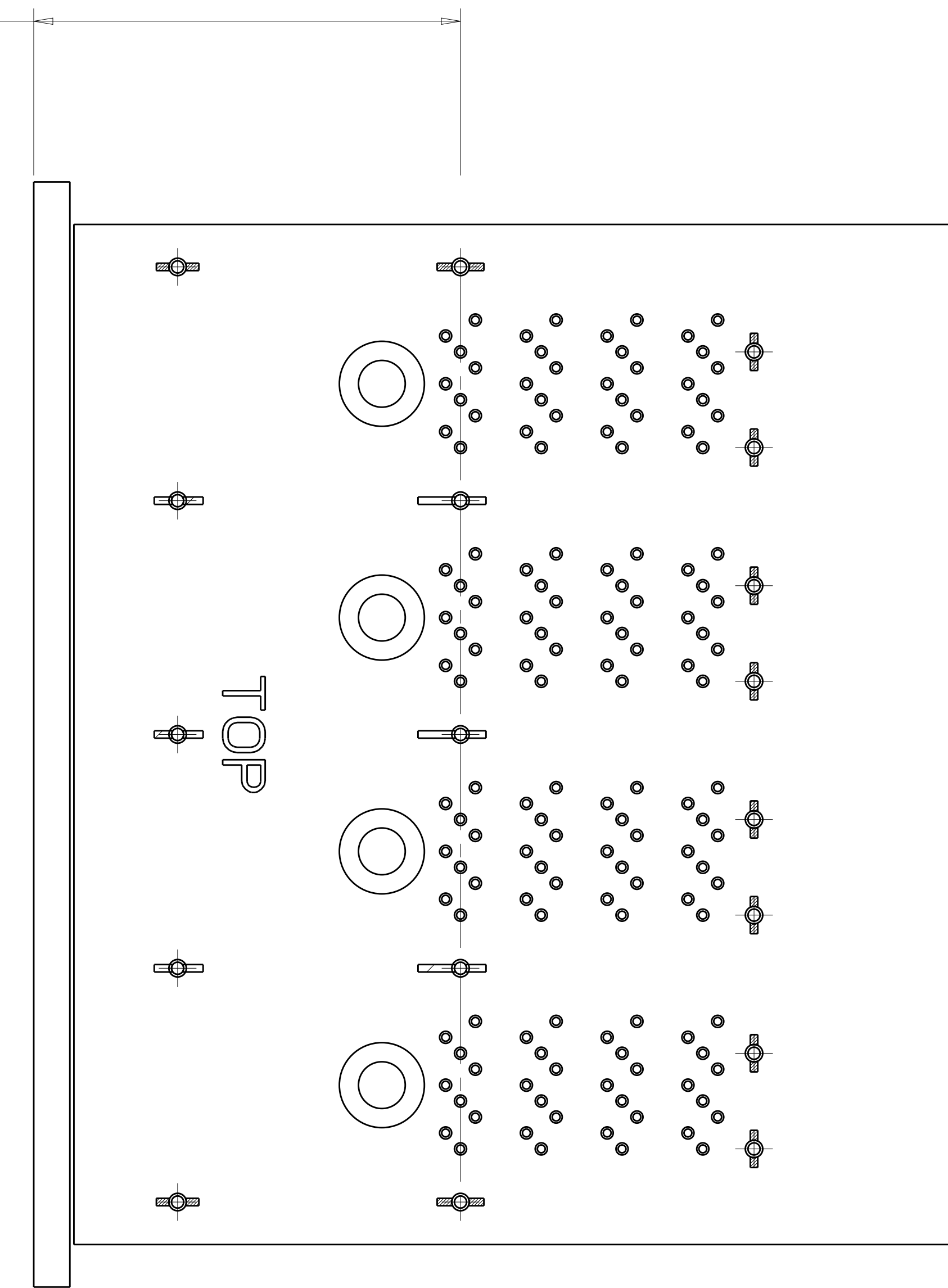
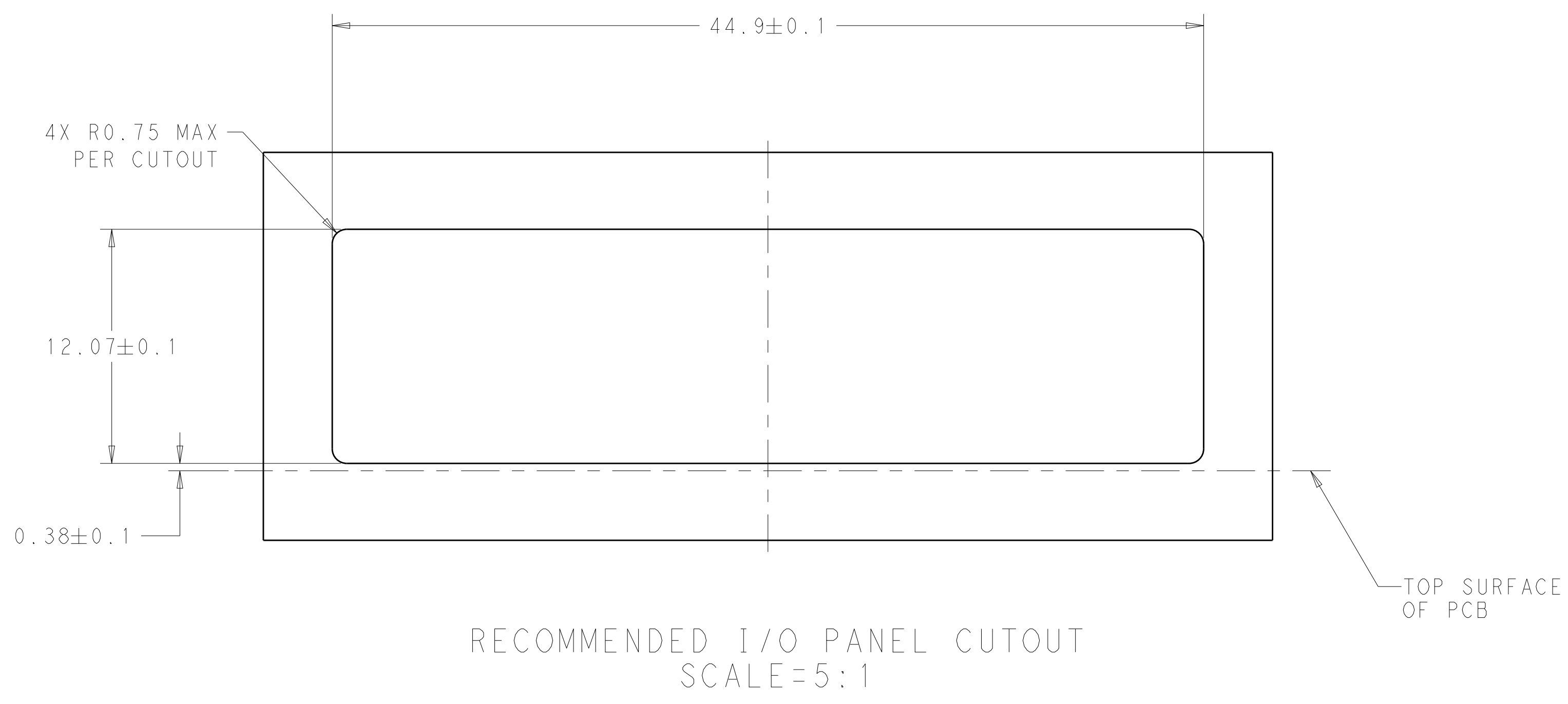
RECOMMENDED PCB LAYOUT



THIS DRAWING IS A CONTROLLED DOCUMENT.		DWN: B. MATTHEWS 18FEB2014	TE Connectivity
DIMENSIONS: mm		CHK: D. GORENC 18FEB2014	
TOLERANCES UNLESS OTHERWISE SPECIFIED:		APVD: D. GORENC 18FEB2014	NAME: RECEPTACLE ASSEMBLY, MINI-SAS HD, 4X
0 PLC ±	1 PLC ±	PRODUCT SPEC: 108-2462	SIZE: A1
2 PLC ±	3 PLC ±	APPLICATION SPEC: 114-13316	CAGE CODE: 00779
4 PLC ±	ANGLES ±	WEIGHT: -	DRAWING NO: C=2274680
MATERIAL: -	FINISH: -	CUSTOMER DRAWING	SCALE: 6:1
		SHEET: 2 OF 3	REV: B

LOC		DIST		REVISIONS			
P	LTN	DESCRIPTION	DATE	DWN	APVD		
-	-	SEE SHEET 1	-	-	-		

19 PCI APPLICATION  
 20.08 ALL OTHER APPLICATIONS



THIS DRAWING IS A CONTROLLED DOCUMENT.		DWN B. MATTHEWS 18FEB2014	
		CHK D. GORENC 18FEB2014	
DIMENSIONS:		APVD D. GORENC 18FEB2014	NAME
mm	TOLERANCES UNLESS OTHERWISE SPECIFIED:	PRODUCT SPEC	RECEPTACLE ASSEMBLY, MINI-SAS HD, 4X
	0 PLC ±	108-2462	SIZE CAGE CODE DRAWING NO
	2 PLC ±	APPLICATION SPEC	RESTRICTED TO
	3 PLC ±	114-13316	A100779C=2274680
	4 PLC ±	WEIGHT	SCALE 5:1 SHEET 3 OF 3 REV B
	ANGLES ±	FINISH	CUSTOMER DRAWING

单击下面可查看定价，库存，交付和生命周期等信息

[>>TE Connectivity\(泰科\)](#)