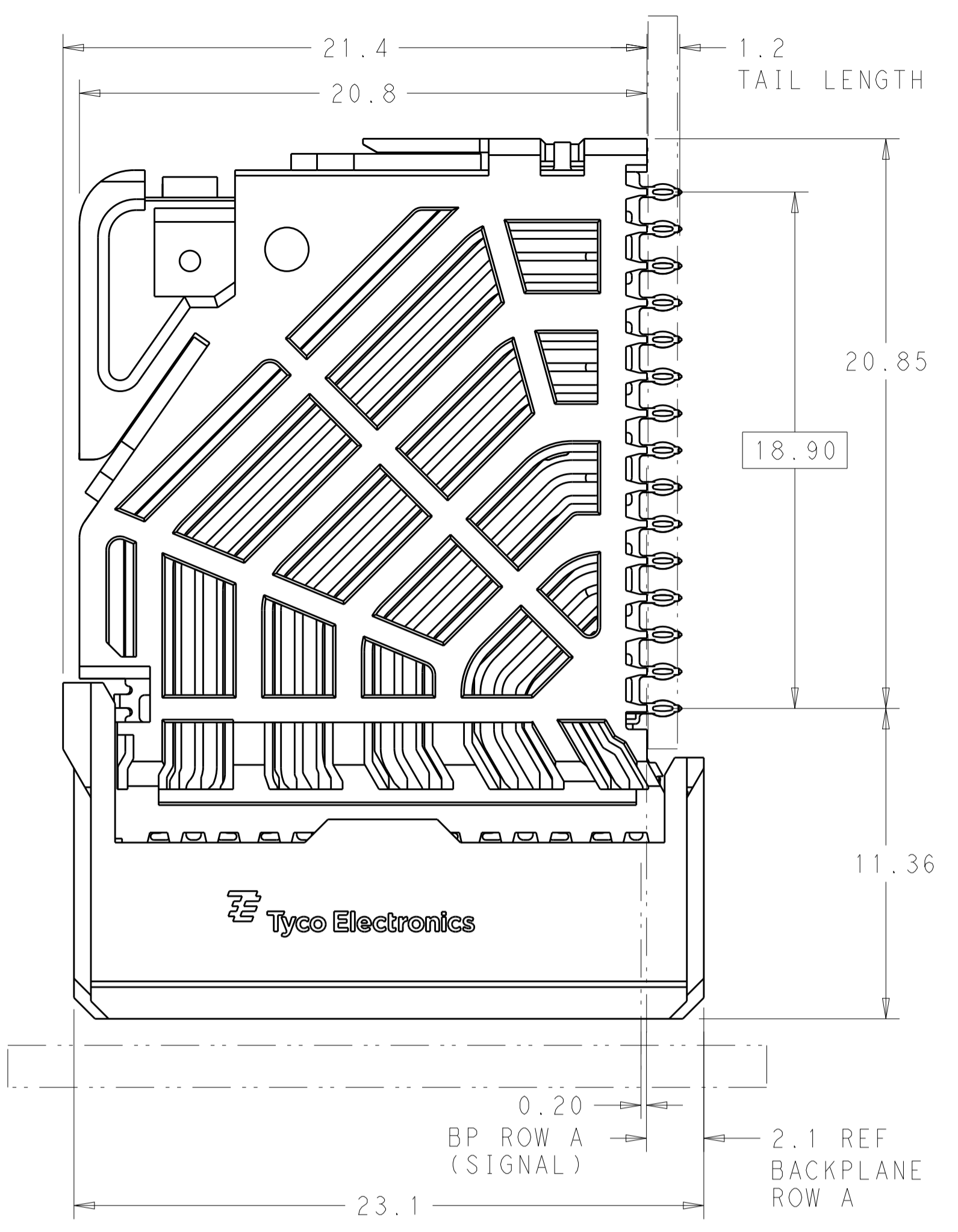
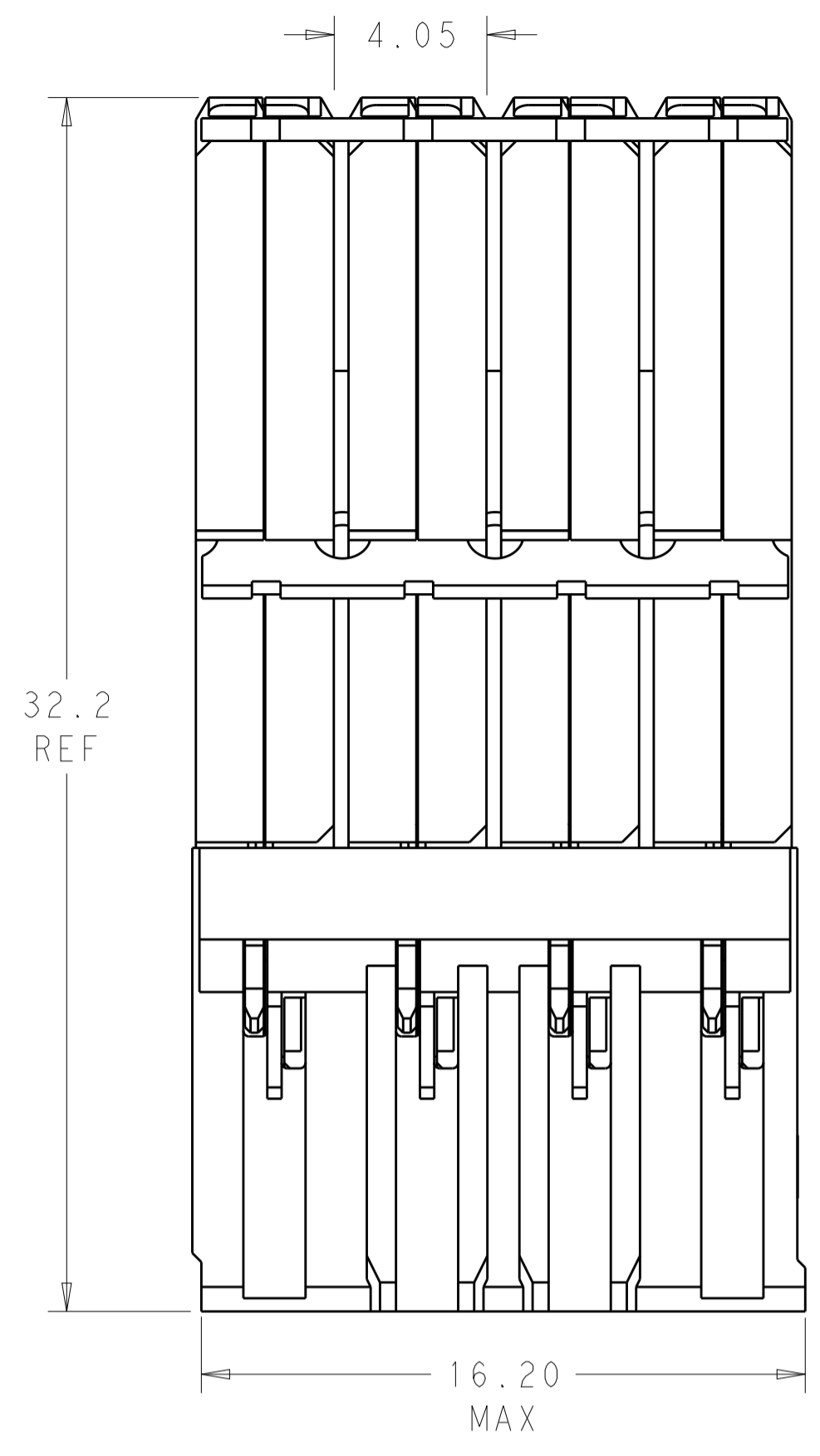
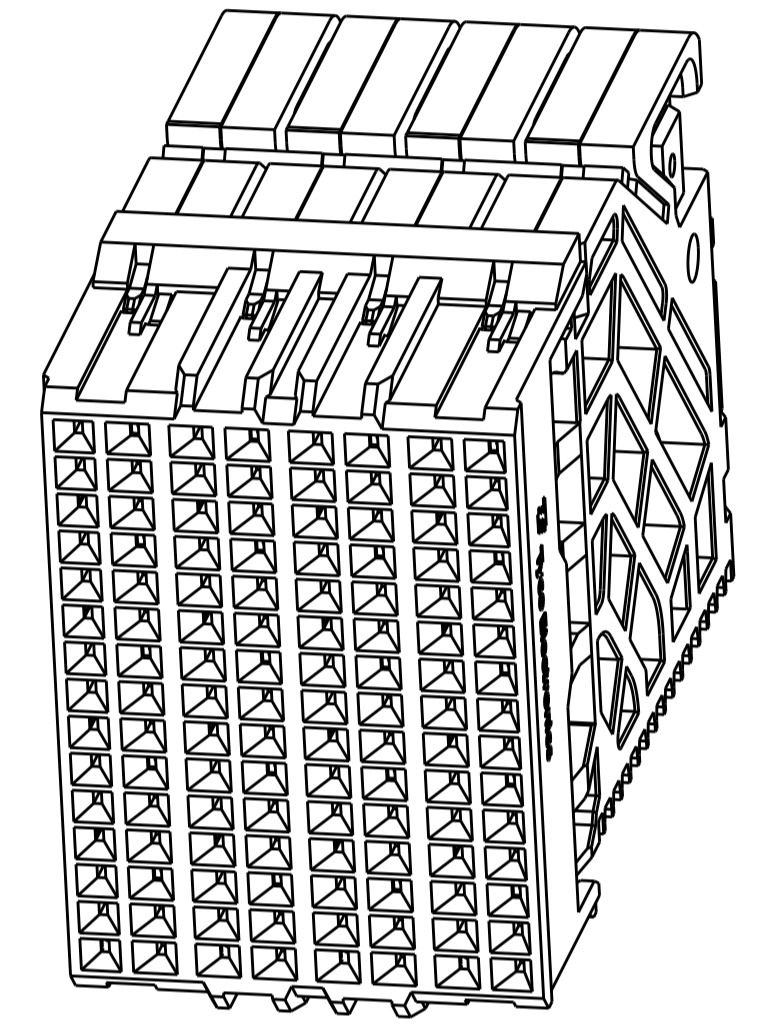


LOC		DIST		REVISIONS			
AD	00	P	LTN	DESCRIPTION	DATE	DWN	APVD
		D		REVISED PER ECO-15-004915	13APR2015	AP	DD



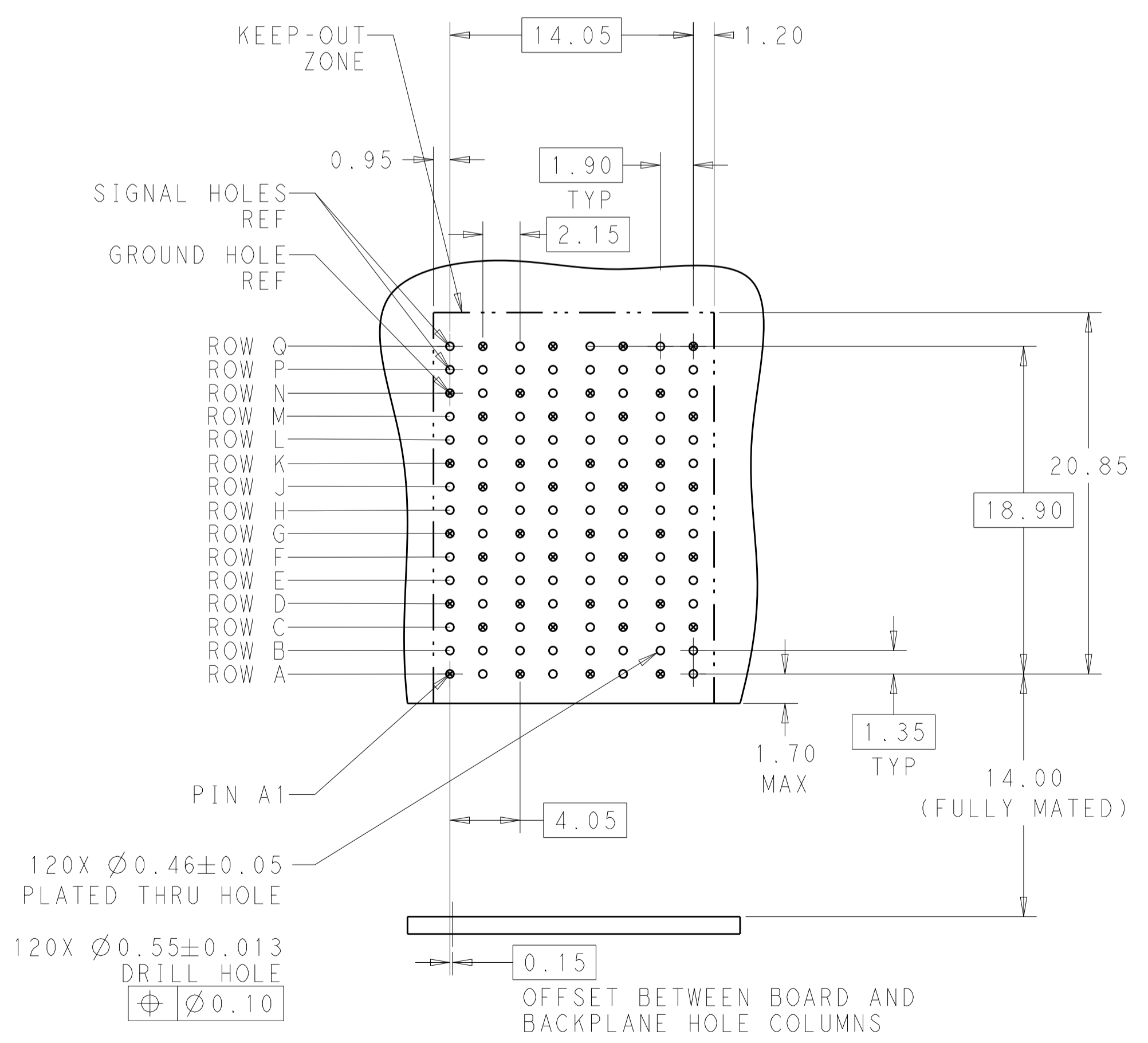
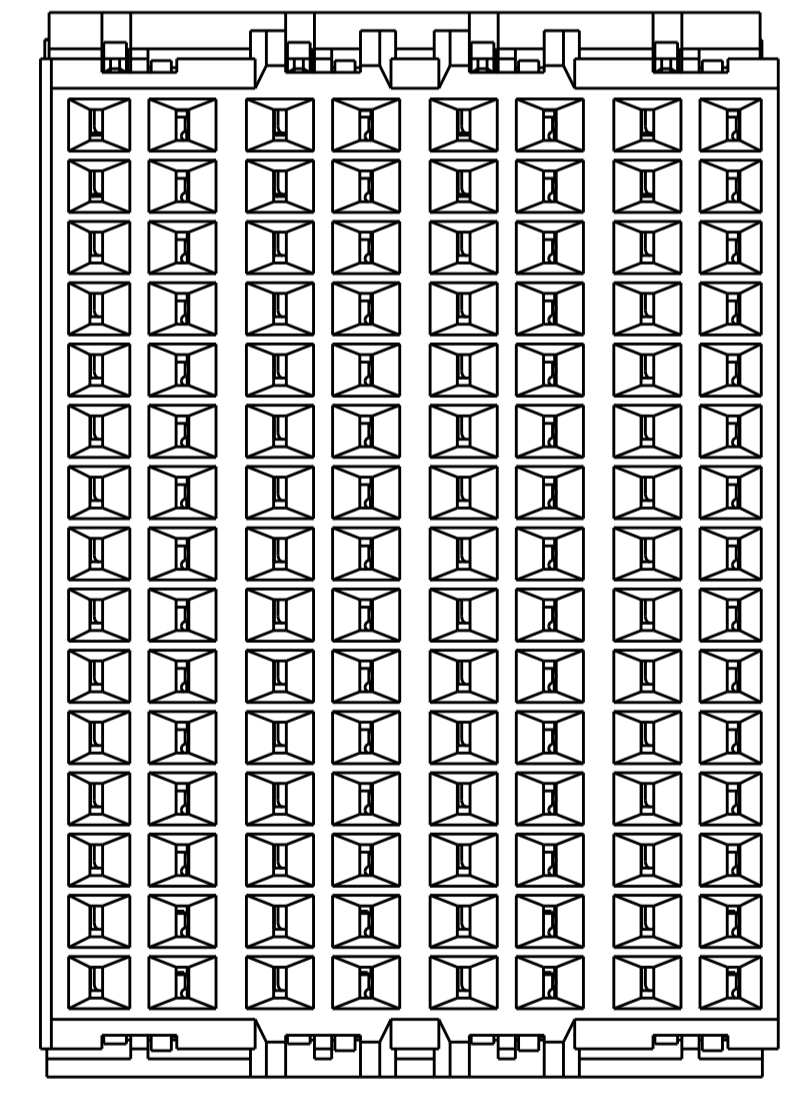
⚠ MATERIAL:  
 HOUSING: LCP, GLASS FILLED, UL94V-0.  
 TERMINALS: HIGH PERFORMANCE COPPER ALLOY.

⚠ FINISH:  
 30µ" SELECTIVE GOLD IN CONTACT AREA. SELECTIVE TIN ON PCB TAILS, NICKEL OVERALL.



SCALE 4:1

REFER TO WWW.TE.COM FOR PRODUCT AVAILABILITY



120X Ø0.46±0.05 PLATED THRU HOLE

120X Ø0.55±0.013 DRILL HOLE  
 Ⓢ Ø0.10

OFFSET BETWEEN BOARD AND BACKPLANE HOLE COLUMNS

RECOMMENDED PCB LAYOUT  
 MIN BOARD THICKNESS 1.0

NONE	⚠	2132701-1
KEY POSITION	FINISH	PART NUMBER

THIS DRAWING IS A CONTROLLED DOCUMENT.		DWN - 29APR2011	TE Connectivity	
DIMENSIONS: mm		CHK D. DIXON 29APR2011	NAME: IMPACT. ORTHOGONAL, 5 PAIR, DAUGHTERCARD, 8 COLUMN, NO GUIDE, SIGNAL MODULE, 0.46 EYELET	
TOLERANCES UNLESS OTHERWISE SPECIFIED:		APVD D. DIXON 29APR2011		
0 PLC ±	1 PLC ±0.25	PRODUCT SPEC	SIZE	CAGE CODE
2 PLC ±0.15	3 PLC ±	APPLICATION SPEC	A1	00779
4 PLC ±	ANGLES ±	WEIGHT	©=2132701	RESTRICTED TO
MATERIAL	FINISH SEE TABLE	CUSTOMER DRAWING	SCALE 6:1	SHEET 1 OF 1

单击下面可查看定价，库存，交付和生命周期等信息

[>>TE Connectivity\(泰科\)](#)