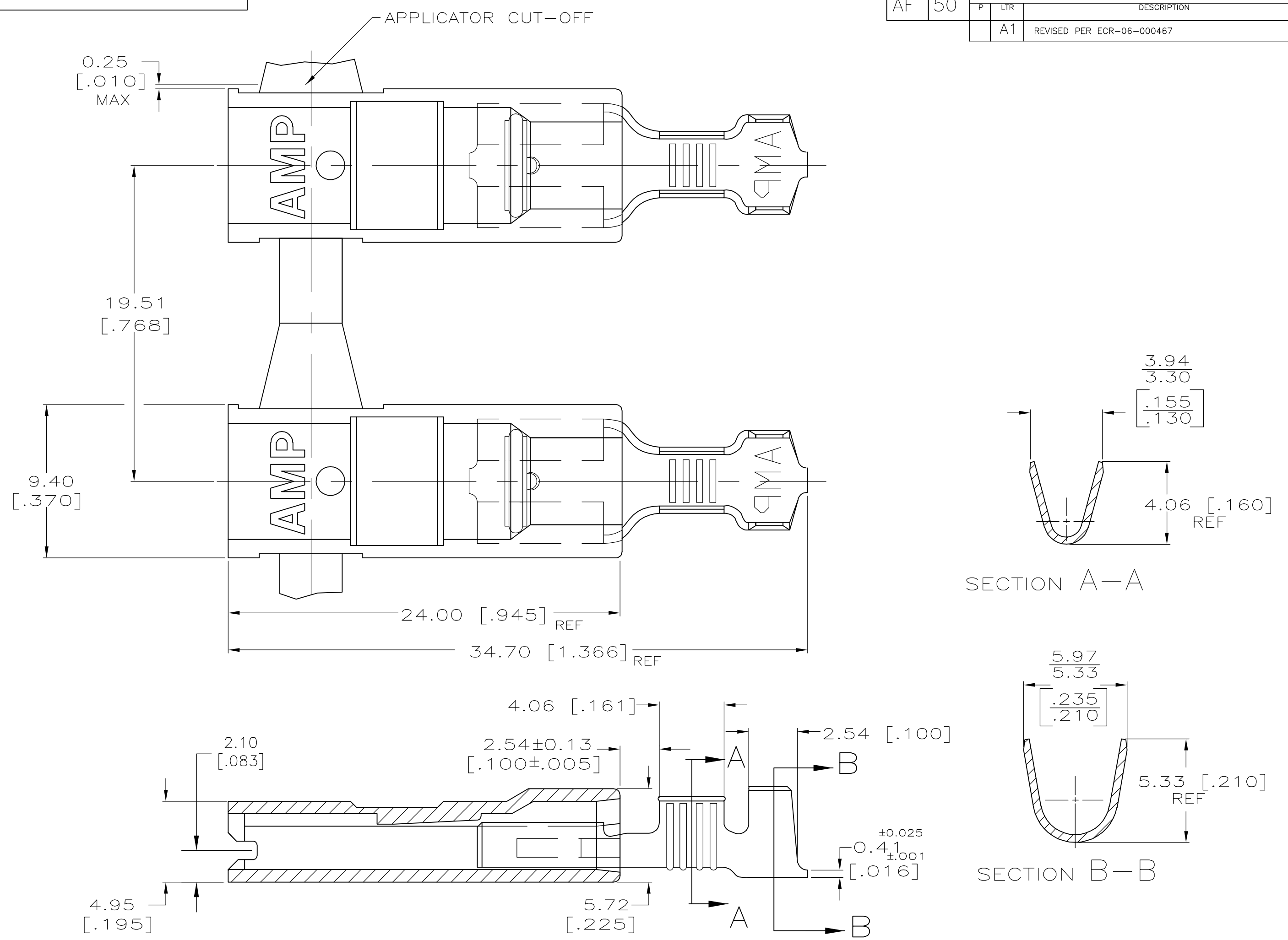


LOC	DIST	REVISIONS					
AF	50	P	LTR	DESCRIPTION	DATE	DWN	APVD
		A1		REVISED PER ECR-06-000467	24MAY06	HMR	GP



- 1 BUDGET FASTON TERMINALS, BASE P/N 63884, ARE USED IN THIS PRODUCT.
- 2 WIRE SIZE 0.8-2.0mm [18-14] AWG
- 3 INSULATION RANGE IS 2.79-4.32 [.110-.170] DIA.
- 4 MATING TAB THK IS 0.813±0.025 [.032±.001].

STANDARD	MATERIAL: 4M BRASS FINISH: 0.002032 [.000080] MIN TIN	MATERIAL: 6/6 VO, NYLON COLOR: NATURAL	521567-2
PACKAGING	TERMINAL	HOUSING	PART NO.
THIS DRAWING IS A CONTROLLED DOCUMENT.		DWN JR RUTH 15AUG02	Tyco Electronics Corporation Harrisburg, PA 17105-3608
DIMENSIONS: mm [INCHES]		CHK MS FEHER 15AUG02	
TOLERANCES UNLESS OTHERWISE SPECIFIED:		APVD -	NAME
0 PLC ± - 1 PLC ± - 2 PLC ± - 3 PLC ± 0.25 [.010] 4 PLC ± - ± - ANGLES ± - ± -		PRODUCT SPEC 108-1285	ASSEMBLY, ULTRA-POD, RECEPTACLE, 6.35 [.250] SERIES
MATERIAL SEE TABLE		APPLICATION SPEC 114-2124	RESTRICTED TO
FINISH SEE TABLE		WEIGHT -	SIZE A2
		CUSTOMER DRAWING	CAGE CODE 00779
			DRAWING NO 521567
			SCALE 5:1
			SHEET 1 of 1
			REV A1

单击下面可查看定价，库存，交付和生命周期等信息

[>>TE Connectivity\(泰科\)](#)