

THIS DRAWING IS UNPUBLISHED.

RELEASED FOR PUBLICATION

2007

© COPYRIGHT 2007-2013

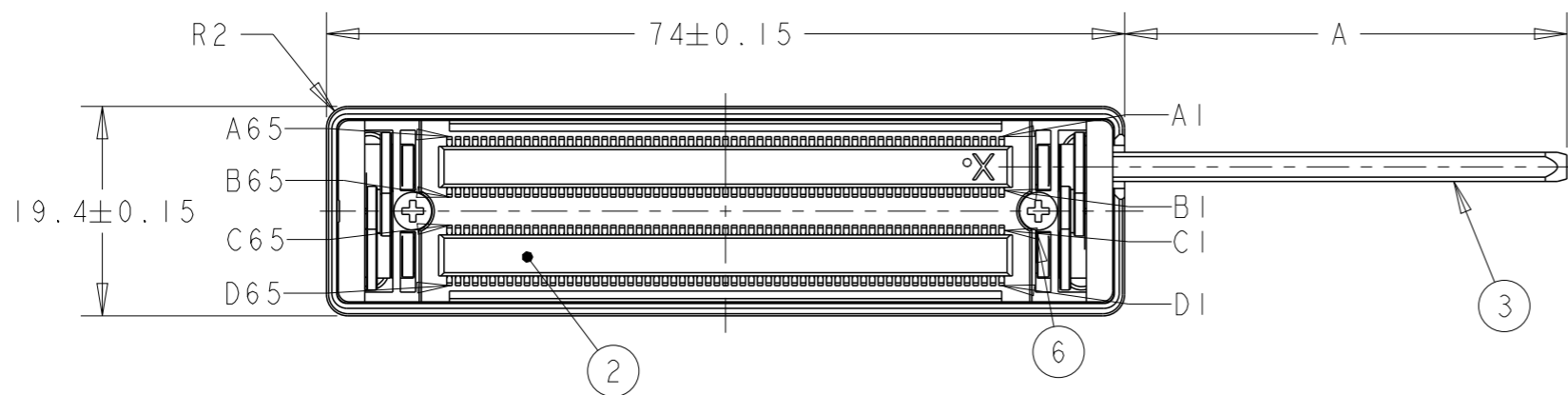
ALL RIGHTS RESERVED.

LOC
J

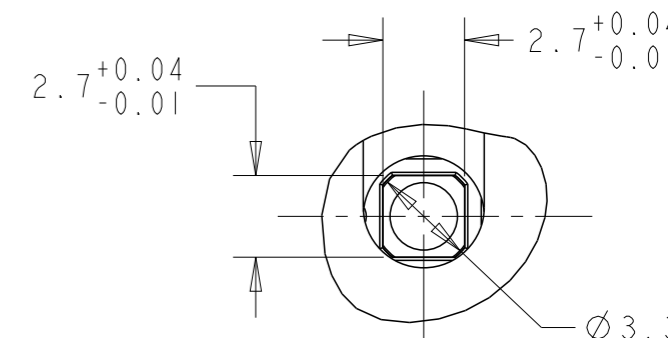
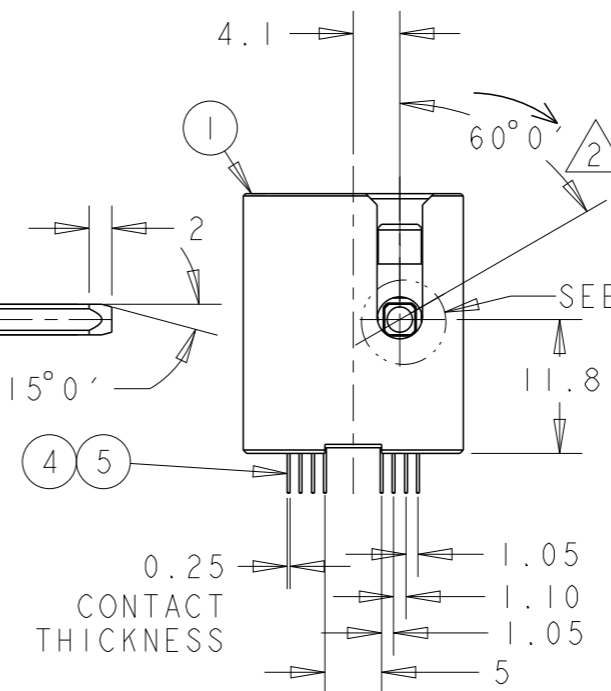
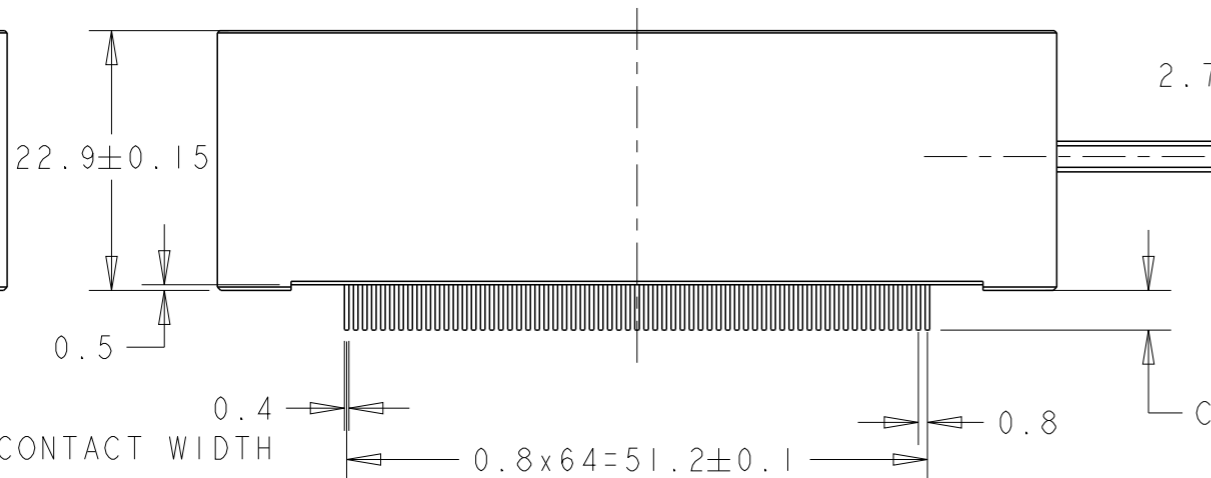
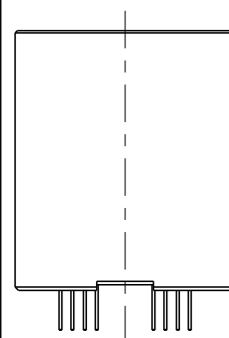
DIST
-

REVISIONS

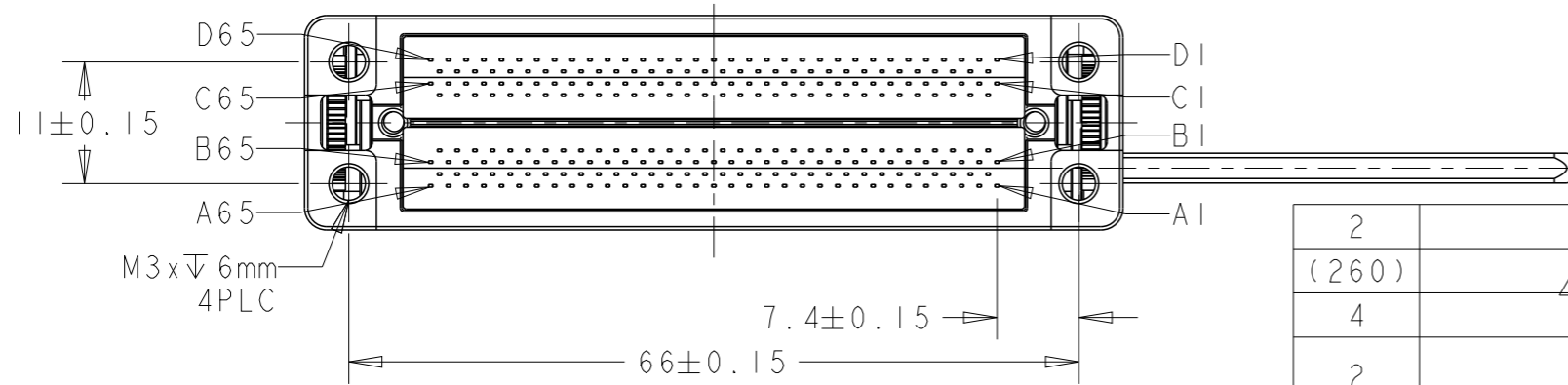
P	LTR	DESCRIPTION	DATE	DWN	APVD
E		REVISED	11DEC2012	T.K	M.K
F		REVISED	10JUN2013	T.K	M.K
G		REVISED	18MAR2015	T.K	M.K



ROHS COMPLIANT



DETAIL A
SCALE 4:1



QTY	FINISH	MATERIAL	NAME	ITEM NO
2	-	STAINLESS STEEL	SCOTCH-GRIP 2510	6
(260)	⚠		M2 SCREW	
4	-		COPPER ALLOY	5
			CONTACT	
4	-	LCP	INSERT MOLD, CONTACT	4
2	-	SUS 304 AND PLASTIC (COLOR BLACK)	ACTUATOR ASSY	3
1	-	LCP	COVER HOUSING, REC	2
1	Ni PLT. 2.5~5μm	ZINC DIECAST	BASE HOUSING, REC	1

DIMENSION "C"	DIMENSION "A"	PART NUMBER
2.8±0.2	41	6565204-9
3.1±0.25	41	6565204-8
3.5±0.4	20	6565204-6
2.5±0.25	20	6565204-5
PRELIMINARY 2.5±0.25	26.82±0.2	6565204-4
2.5±0.25	41	6565204-3
3.5±0.4	41	6565204-1

THIS DRAWING IS A CONTROLLED DOCUMENT.

DIMENSIONS: mm

TOLERANCES UNLESS OTHERWISE SPECIFIED:

0 PLC ±0.3
 1 PLC ±0.25
 2 PLC ±0.2
 3 PLC ±
 4 PLC ±
 ANGLES ±3
 FINISH ⚠

MATERIAL SEE TABLE

DWN T.Kanno 5MAR2007
 CHK M.Kimura 5MAR2007
 APVD M.Kimura 5MAR2007
 PRODUCT SPEC 108-5771
 APPLICATION SPEC 114-5505
 WEIGHT 85g

TE TE Connectivity

NAME
 REC ASSEMBLY
 TC-ZIF CONNECTOR
 0.8mm PITCH 260P

SIZE A3 CAGE CODE DRAWING NO RESTRICTED TO
 ©-6565204

CUSTOMER DRAWING SCALE 3:2 SHEET 1 OF 2 REV G

LOC
J

DIST
-

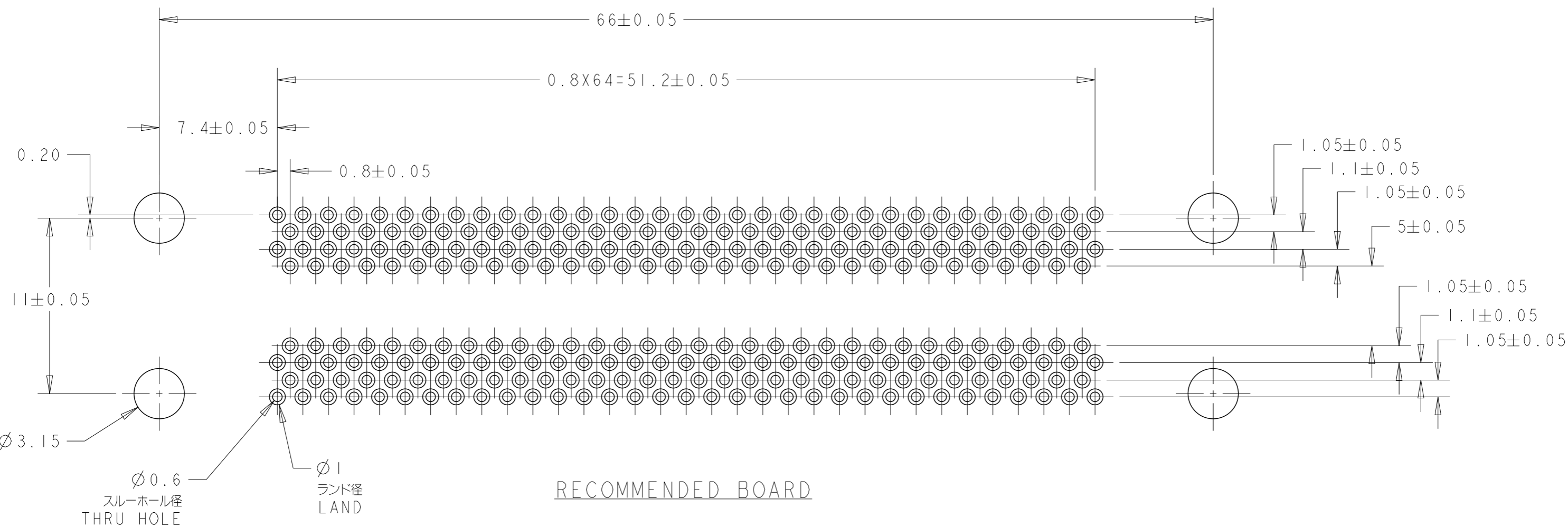
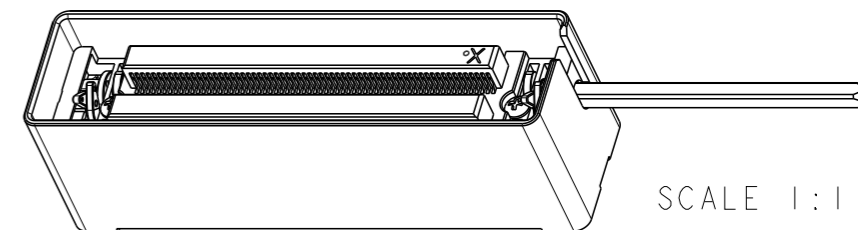
REVISIONS


P	LTR	DESCRIPTION	DATE	DWN	APVD
-	-	SEE SHEET 1	-	-	-

1 MATING AREA: 1μmMIN GOLD PLATING
OVER 2.5μmMIN NICKEL
SOLDERING AREA: GOLD FLASH
OVER 2.5μmMIN NICKEL
OTHERS: 2.5μmMIN NICKEL

2 BY ROTATING 60±5 DEGREES OF SHAFT CLOCKWISE,
CONNECTOR IS MATED WITH HDR.
CONTACT ENGAGEMENT : 15±5DEG.

3. PIN ASSIGNMENTS AS A REFERENCE



THIS DRAWING IS A CONTROLLED DOCUMENT.		DWN T.Kanno	5MAR2007	 TE Connectivity	
DIMENSIONS: mm		CHK M.Kimura	5MAR2007		
TOLERANCES UNLESS OTHERWISE SPECIFIED:		APVD M.Kimura	5MAR2007		
0 PLC ±0.2 1 PLC ±0.15 2 PLC ±0.1 3 PLC ± 4 PLC ± ANGLES ±3		PRODUCT SPEC 108-5771	APPLICATION SPEC 114-5505		
MATERIAL -	FINISH -	WEIGHT -	CUSTOMER DRAWING	NAME REC ASSEMBLY TC-ZIF CONNECTOR 0.8mm PITCH 260P	RESTRICTED TO -
			SIZE A3	CAGE CODE G-6565204	DRAWING NO -
			SCALE 3:2	SHEET 2	OF 2
				REV G	

单击下面可查看定价，库存，交付和生命周期等信息

[>>TE Connectivity\(泰科\)](#)