

4

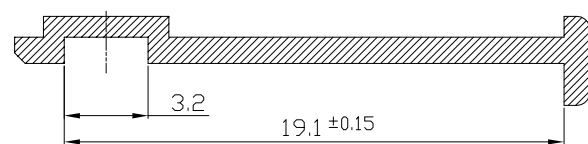
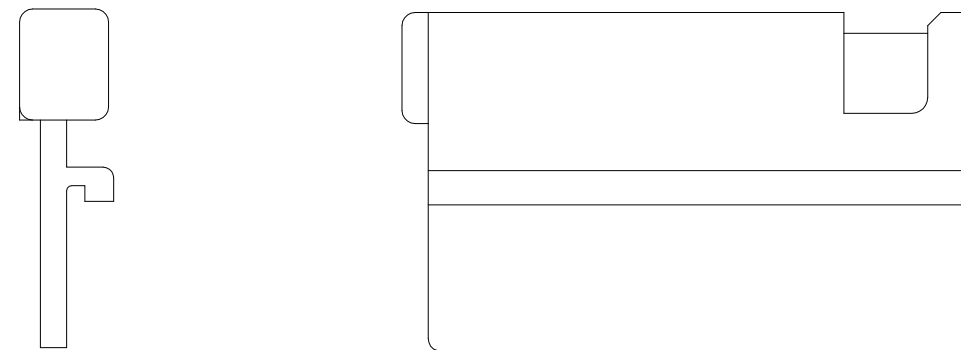
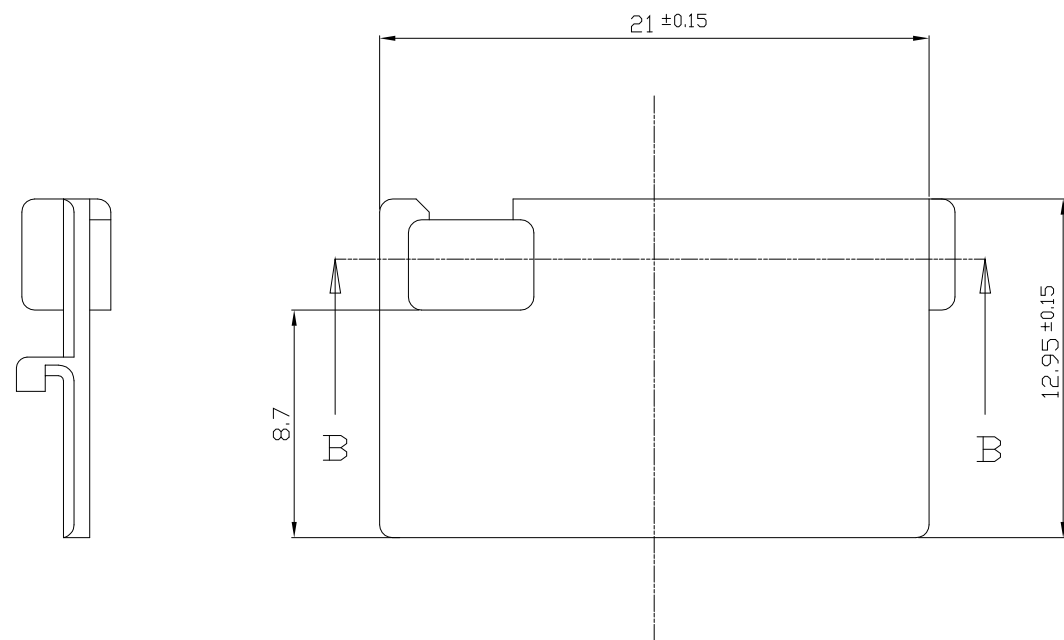
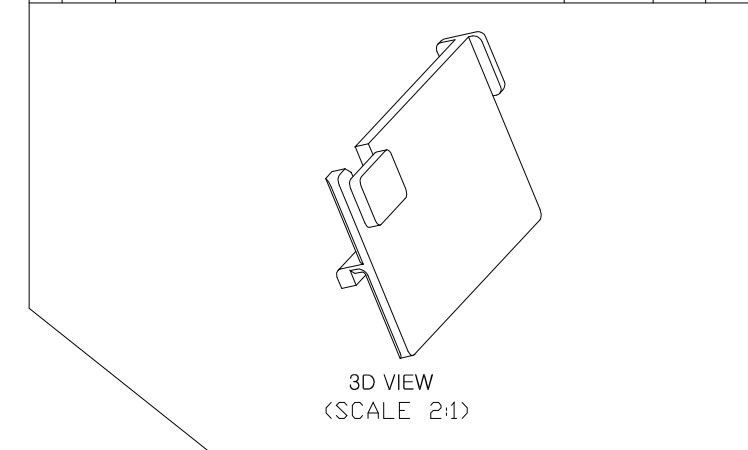
3

2

1

THIS DRAWING IS UNPUBLISHED. RELEASED FOR PUBLICATION  
© COPYRIGHT BY TYCO ELECTRONICS CORPORATION, ALL RIGHTS RESERVED.

LOC		DIST		REVISIONS			
P	LTR	DESCRIPTION	DATE	DWN	APVD		
	A	RELEASED	18/OCT/04	SB	CS		
	B	REVISED<ECR-11-001412>	21/JAN/11	JH	HG		



SECTION B-B

NOTE

1. APPLIED PLUG CONNECTOR P/N : X-1743282-X

control priority dimension; ■ CRITICAL, ☒ MAJOR, □ MINOR		1	MQS, SHIELD, 8 POS	B	0-1743283-1	PBT-GF10	NATURAL
THIS DRAWING IS A CONTROLLED DOCUMENT FOR TYCO ELECTRONICS CORPORATION. IT IS SUBJECT TO CHANGE AND THE CONTROLLING ENGINEERING ORGANIZATION SHOULD BE CONTACTED FOR THE LATEST REVISION.		NO.	DESCRIPTION	CODE	P/N	MATERIAL	COLOR/FINISH
DIMENSIONS: mm		DWN : JH CHD		TE Connectivity MQS, SHIELD, 8 POS.			
TOLERANCES UNLESS OTHERWISE SPECIFIED: DECIMALS ± 0.3 ANGLES ± 3°		CHK : KT LIM					
3rd ANGLE PROJECTION		APVD : HG CHD					
MATERIAL	FINISH	PRODUCT SPEC	APPLICATION SPEC	NAME	SIZE	CAGE CODE	DRAWING NO
PBT-GF10		WEIGHT			A2	00779	C-1743283
		RESTRICTED TO		SCALE	SHEET	OF	REV
				5/1	1	1	B

单击下面可查看定价，库存，交付和生命周期等信息

[>>TE Connectivity\(泰科\)](#)