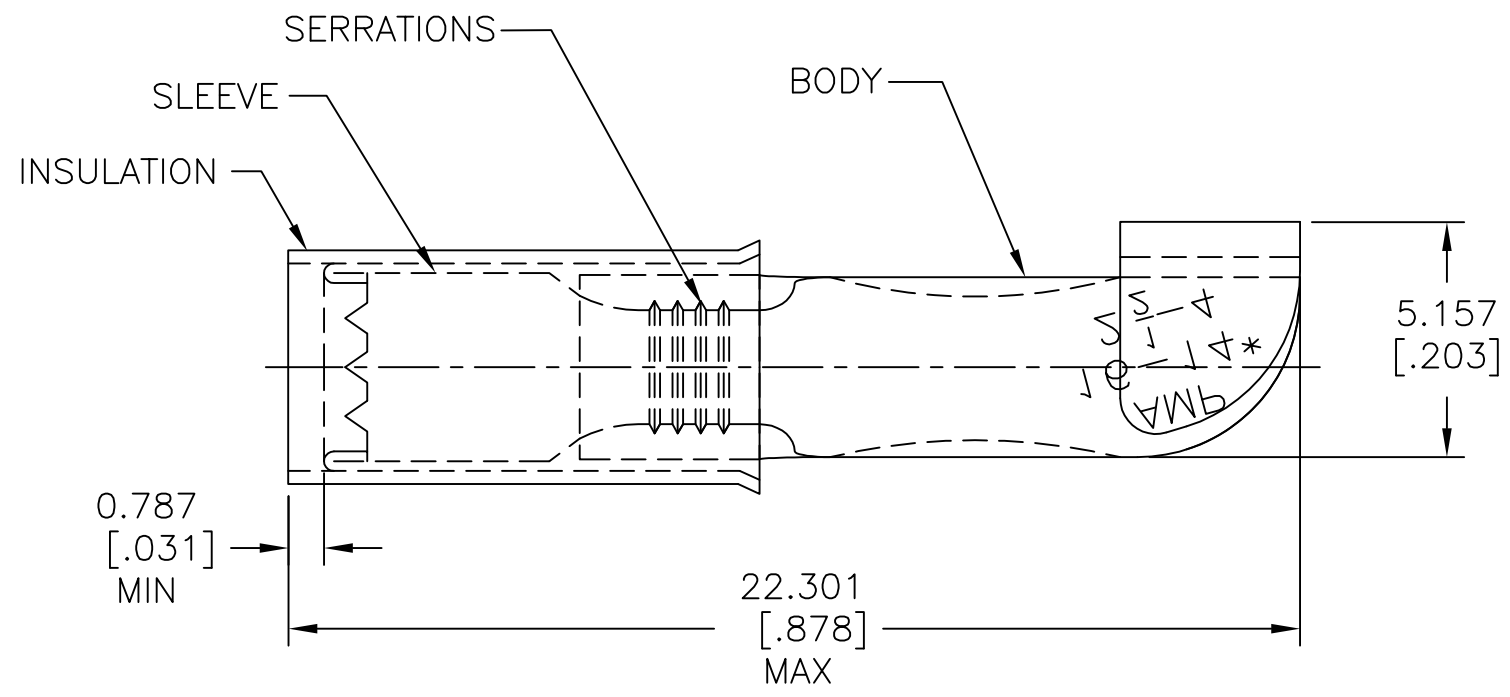


REVISIONS					
P	LTR	DESCRIPTION	DATE	DWN	APVD
	D1	REDRAWN PER ECR 09-005983	13MAR09	JR	TM
	D2	REVISED PER ECO-17-013201	12SEP2017	RS	DR



1 NOTE DELETED.
 2 FOR 2.667[.105] TO 3.810[.150] WIRE INSULATION DIA.

1000	LOOSE PIECE	INSULATION: PVC, COLOR BLUE SLEEVE: COPPER PER ASTM B152 BODY: COPPER PER ASTM B152 TIN PLATE PER ASTM B545	32447
QTY.	PACKAGE TYPE	MATERIAL	PART NO

AMP INCORPORATED CUSTOMER SERVICE SYSTEMS		THIS DRAWING IS A CONTROLLED DOCUMENT.
FOR ADDITIONAL PRODUCT INFORMATION OR COPIES OF DRAWINGS AND TECHNICAL DOCUMENTS	PRODUCT INFORMATION CENTER 1-800-522-6752	DIMENSIONS: mm [INCHES]
FOR APPLICATION TOOLING INFORMATION	TOOLING ASSISTANCE CENTER 1-800-722-1111	TOLERANCES UNLESS OTHERWISE SPECIFIED: 0 PLC ± - 1 PLC ± - 2 PLC ± - 3 PLC ± 0.127[.005] 4 PLC ± - ANGLES ± 5°
FOR ORDER ENTRY	1-800-526-5142	MATERIAL SEE TABLE
	MAX RECOMMENDED OPERATING TEMPERATURE: 105°C [221°F]	FINISH SEE TABLE
	VOLTAGE RATING: 300 V MAX	
	WIRE CROSS SECTIONAL AREA RANGE, 1.04-2.62mm²[2,050-5,180] CIR MILS SOLID OR STRANDED	

DWN jr_ruth 13MAR09		APVD TOM MICHIELUTTI 13MAR09		NAME TOM MICHIELUTTI	
CHK TOM MICHIELUTTI 13MAR09		PRODUCT SPEC -		APPLICATION SPEC -	
SIZE	CAGE CODE	DRAWING NO	RESTRICTED TO		
A3	00779	C=32447	-		
CUSTOMER DRAWING			SCALE	SHEET	REV
			8:1	1 OF 1	D2



TERMINAL, PIDG
 KNIFE DISCONNECT, WIRE SIZE 16-14 AWG

单击下面可查看定价，库存，交付和生命周期等信息

[>>TE Connectivity\(泰科\)](#)