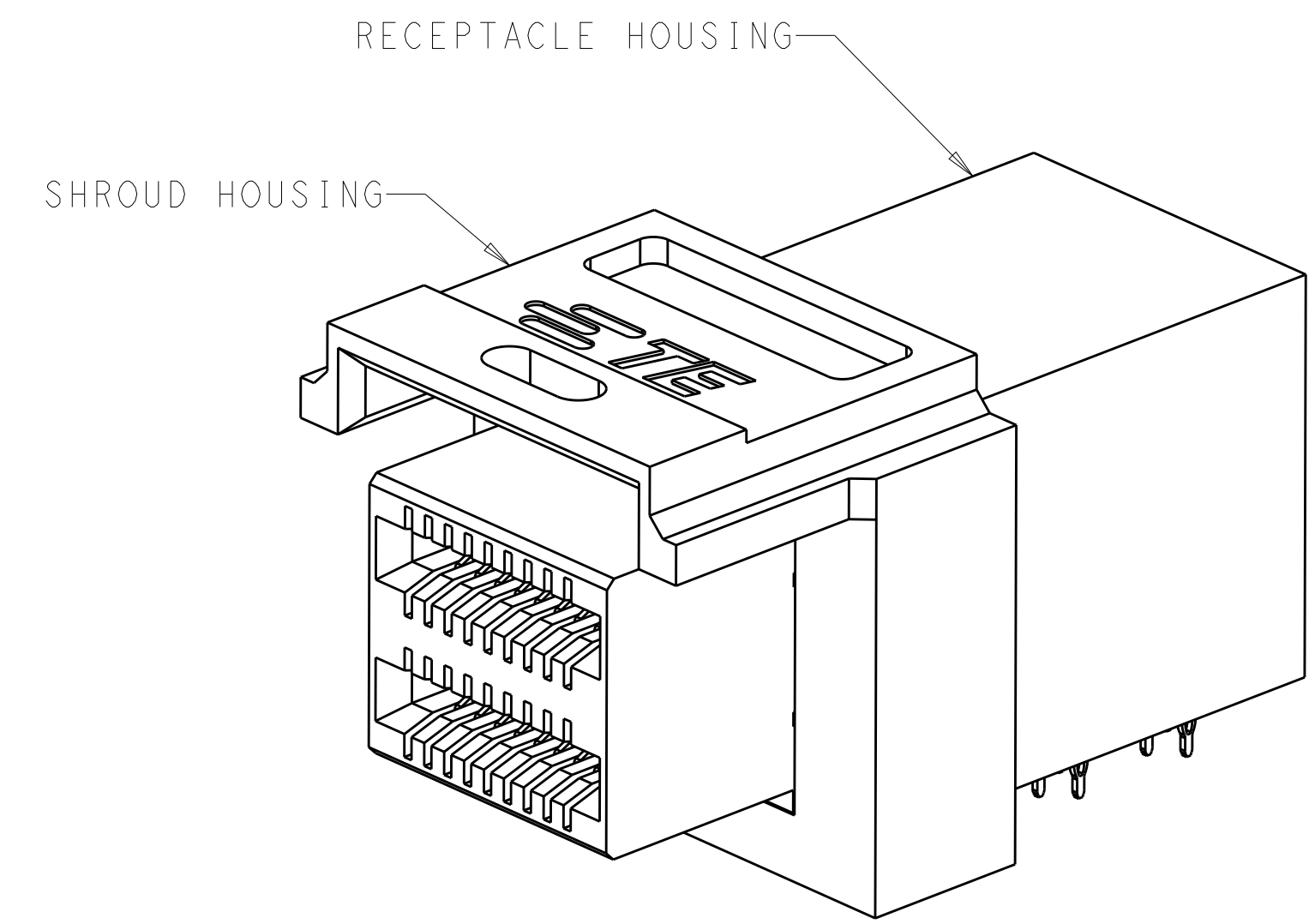
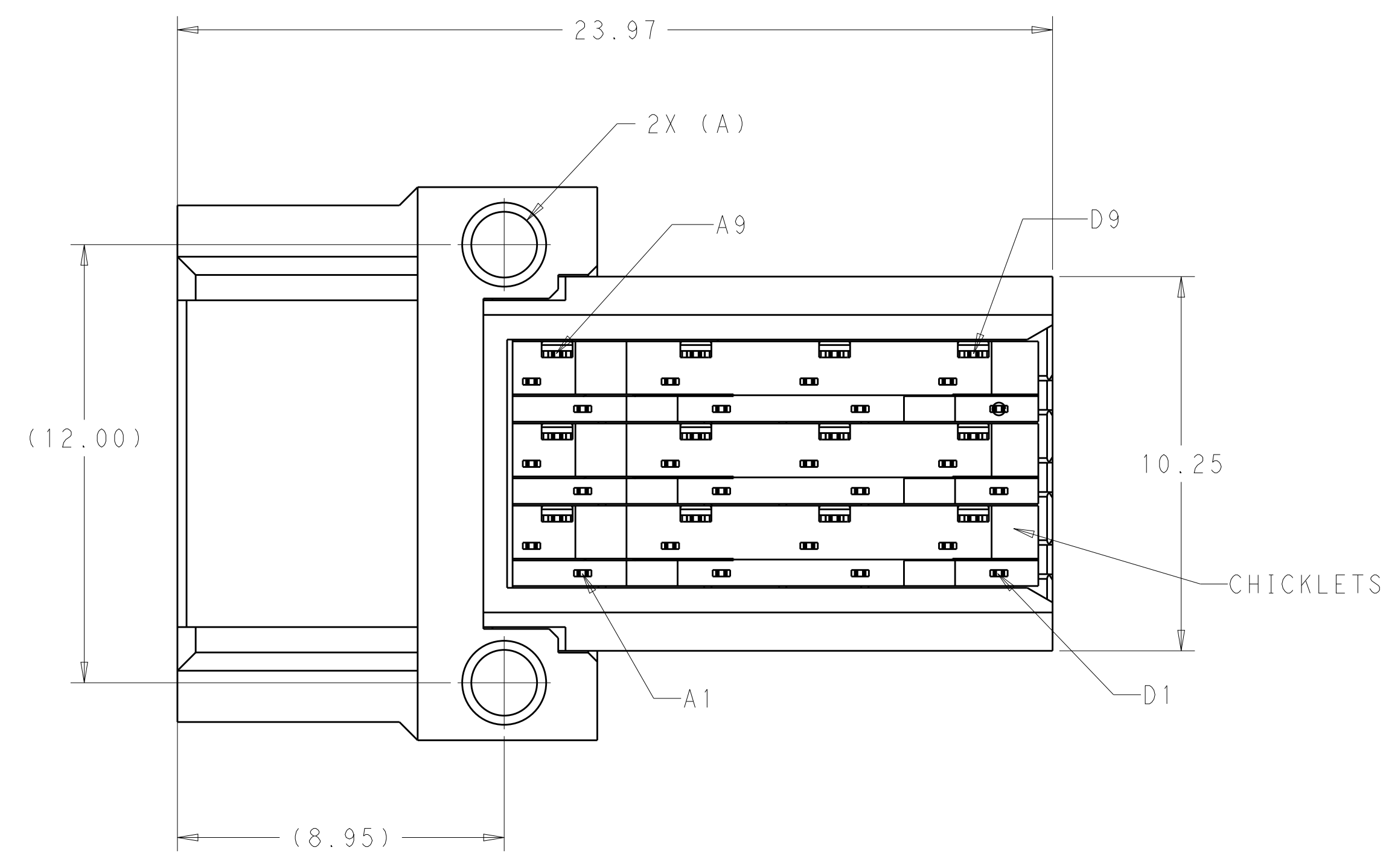
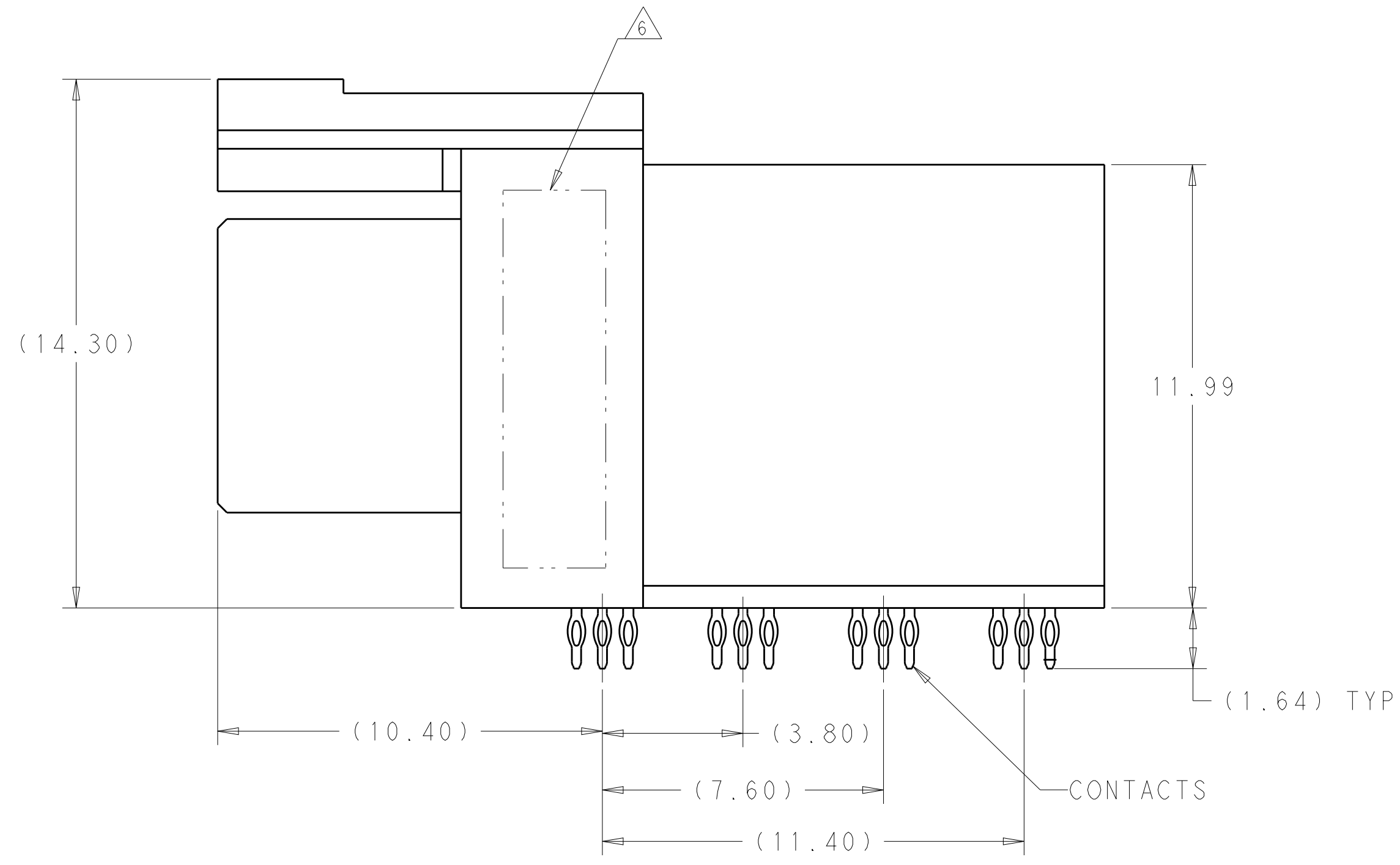
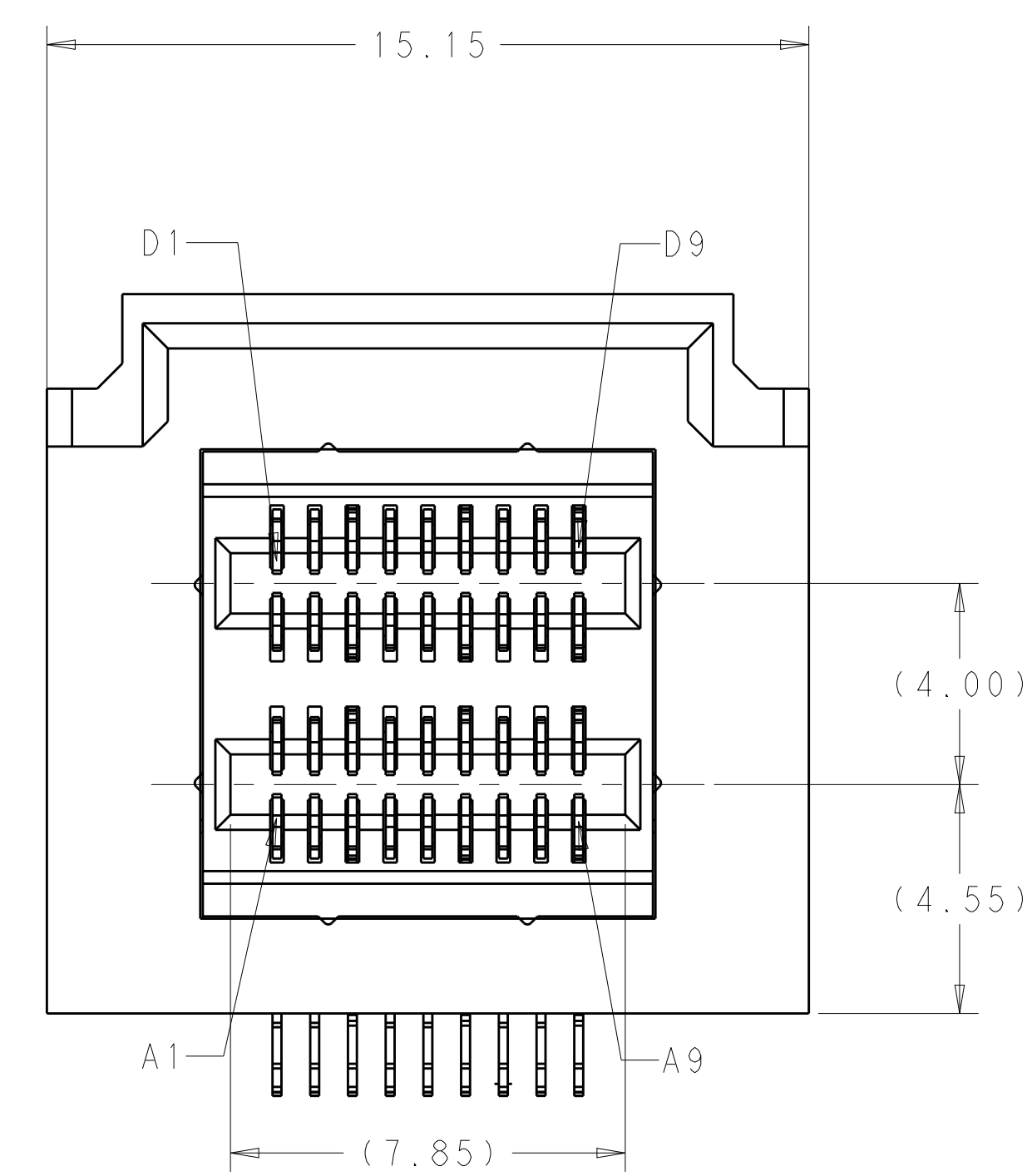


LOC	DIST	REVISIONS			
P	LTN	DESCRIPTION	DATE	DWN	APVD
A		REVISED PER ECO-15-000199	13JAN2015	AP	DG
B		REVISED PER ECO-17-008190	03MAR2017	JY	SH
C		REVISED PER ECO-17-013690	04AUG2017	JY	SH

- ⚠ MATERIALS
HOUSINGS AND CHICKLETS: LCP, BLACK, UL94V-0 RATED
CONTACTS: COPPER ALLOY
- ⚠ CONTACT FINISH: CONFORMS TO THE REQUIREMENTS OF TE PRODUCT SPECIFICATION, 108-32038 BASED ON EIA/ECA-364-1000.01A. (CONTROLLED ENVIRONMENT APPLICATIONS) ON MATING END. TIN PLATED ON PCB TAIL
- 3. MATES WITH TE PLUG 2227603-1
- ⚠ MOUNTING HARDWARE M2x1.35 SELF-THREADING SCREW
SCREW LENGTH OF FASTENER = PCB THICKNESS + 3.0mm MAX (1.75mm MIN)
MOUNTING HARDWARE NOT INCLUDED
- ⚠ RECOMMENDED COMPONENT KEEP OUT ZONE.
- ⚠ PART NUMBER AND DATE CODE MARKED IN APPROXIMATE AREA SHOWN ON OPPOSITE SIDE.
- ⚠ MOUNTING HARDWARE M2x0.635 SELF-THREADING SCREW
SCREW LENGTH OF FASTENER = PCB THICKNESS + 3.0mm MAX (1.75mm MIN)
MOUNTING HARDWARE NOT INCLUDED
- ⚠ MOUNTING HARDWARE M2x1.35 SELF-THREADING SCREW
SCREW LENGTH OF FASTENER = PCB THICKNESS + 5.0mm MAX (1.75mm MIN)
MOUNTING HARDWARE NOT INCLUDED



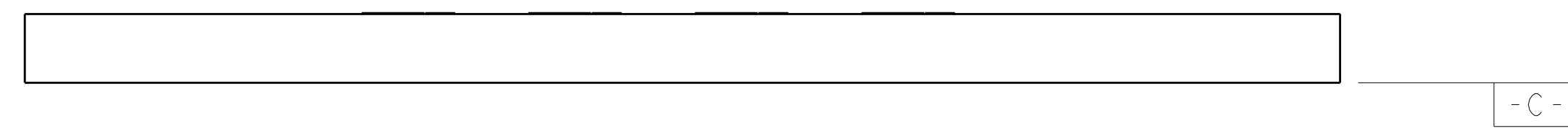
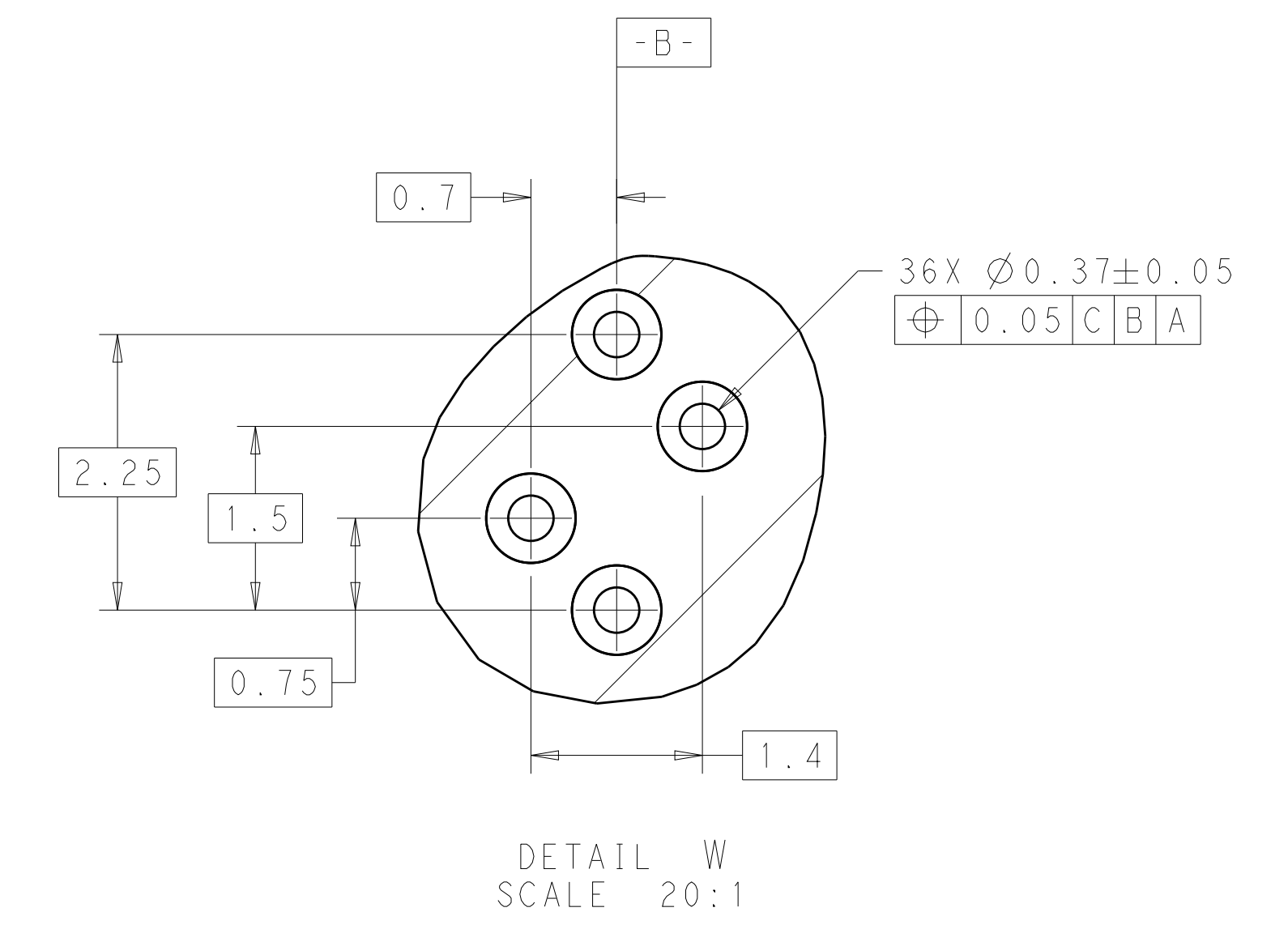
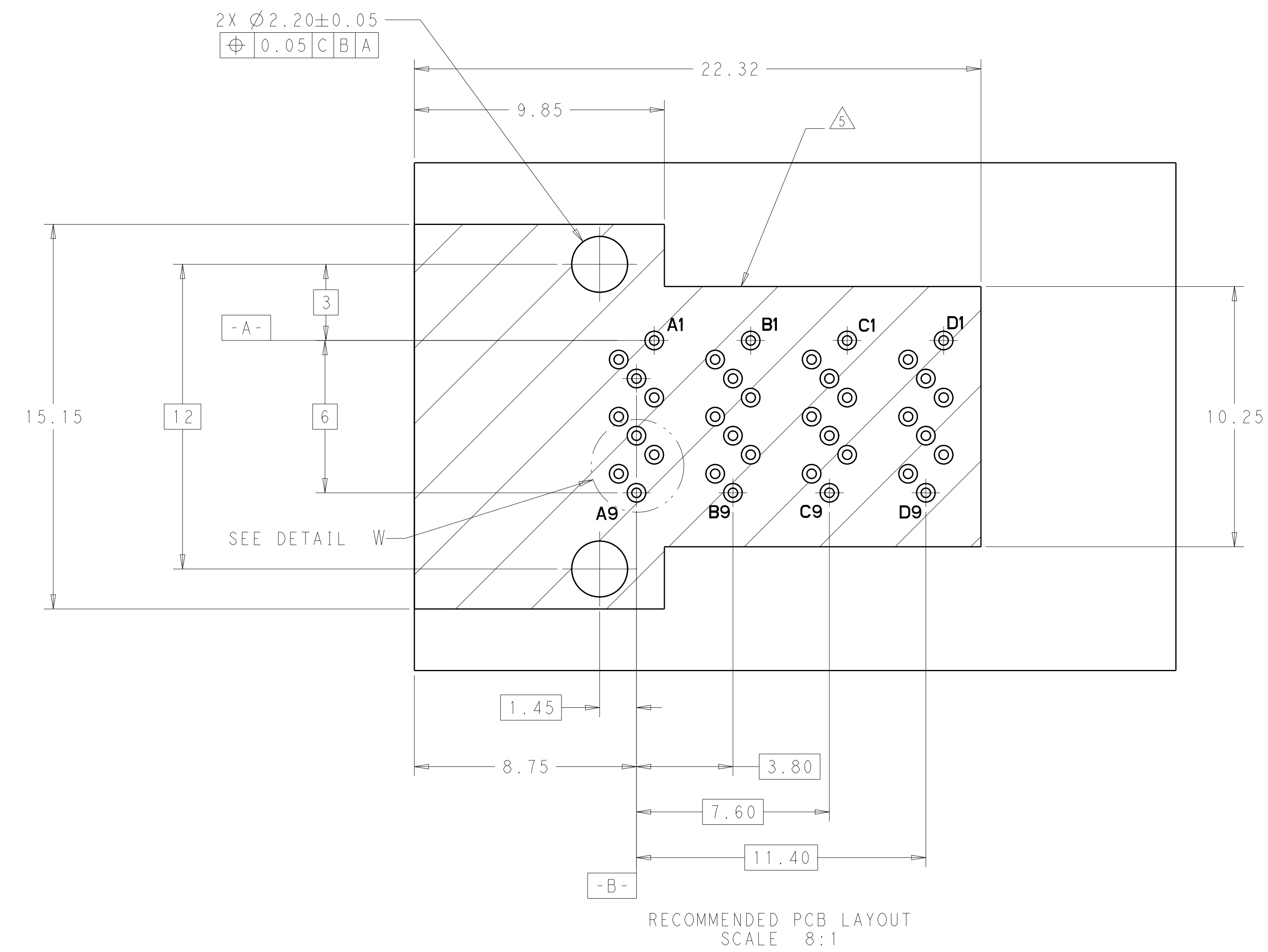
SCALE 6:1

⚠	Ø 1.80	2227580-3
⚠	Ø 1.60	2227580-2
⚠	Ø 1.80	2227580-1
SCREW APPLICATION	DIAMETER A OF HOLE	PART NUMBER

DIMENSIONS:		TOLERANCES UNLESS OTHERWISE SPECIFIED:		MATERIAL:	
mm	0 PLC	±		1	
	1 PLC	±		2	
	2 PLC	±0.13			
	3 PLC	±			
	4 PLC	±			
	ANGLES	±			
	FINISH	±			

THIS DRAWING IS A CONTROLLED DOCUMENT.		DWN: R. TREA 13DEC2012		NAME: RECEPTACLE ASSEMBLY, 1X1, RIGHT ANGLE, INTERNAL MINI SAS HD	
CHK: R. HENRY 13DEC2012		APVD: -		RESTRICTED TO: -	
PRODUCT SPEC: 108-32038		SIZE: A1		SCALE: 8:1	
APPLICATION SPEC: 114-32101		CAGE CODE: -		SHEET 1 OF 2	
WEIGHT: -		C=2227580		REV C	
CUSTOMER DRAWING					

LOC	DIST	REVISIONS			
P	LTN	DESCRIPTION	DATE	DWN	APVD
-	-	SEE SHEET 1	-	-	-



THIS DRAWING IS A CONTROLLED DOCUMENT.		DWN R. IREA 13DEC2012	TE Connectivity	
DIMENSIONS: mm		CHK R. HENRY 13DEC2012	NAME RECEPTACLE ASSEMBLY, 1X1, RIGHT ANGLE, INTERNAL MINI SAS HD	
TOLERANCES UNLESS OTHERWISE SPECIFIED: 0 PLC ± 1 PLC ± 2 PLC ±0.13 3 PLC ± 4 PLC ± ANGLES ±		APVD -	PRODUCT SPEC 108-32038	RESTRICTED TO
MATERIAL -		FINISH -	APPLICATION SPEC 114-32101	SIZE A1
-		WEIGHT -	CAGE CODE C=2227580	DRAWING NO -
-		CUSTOMER DRAWING	SCALE 8:1	SHEET 2 OF 2 REV C

单击下面可查看定价，库存，交付和生命周期等信息

[>>TE Connectivity\(泰科\)](#)