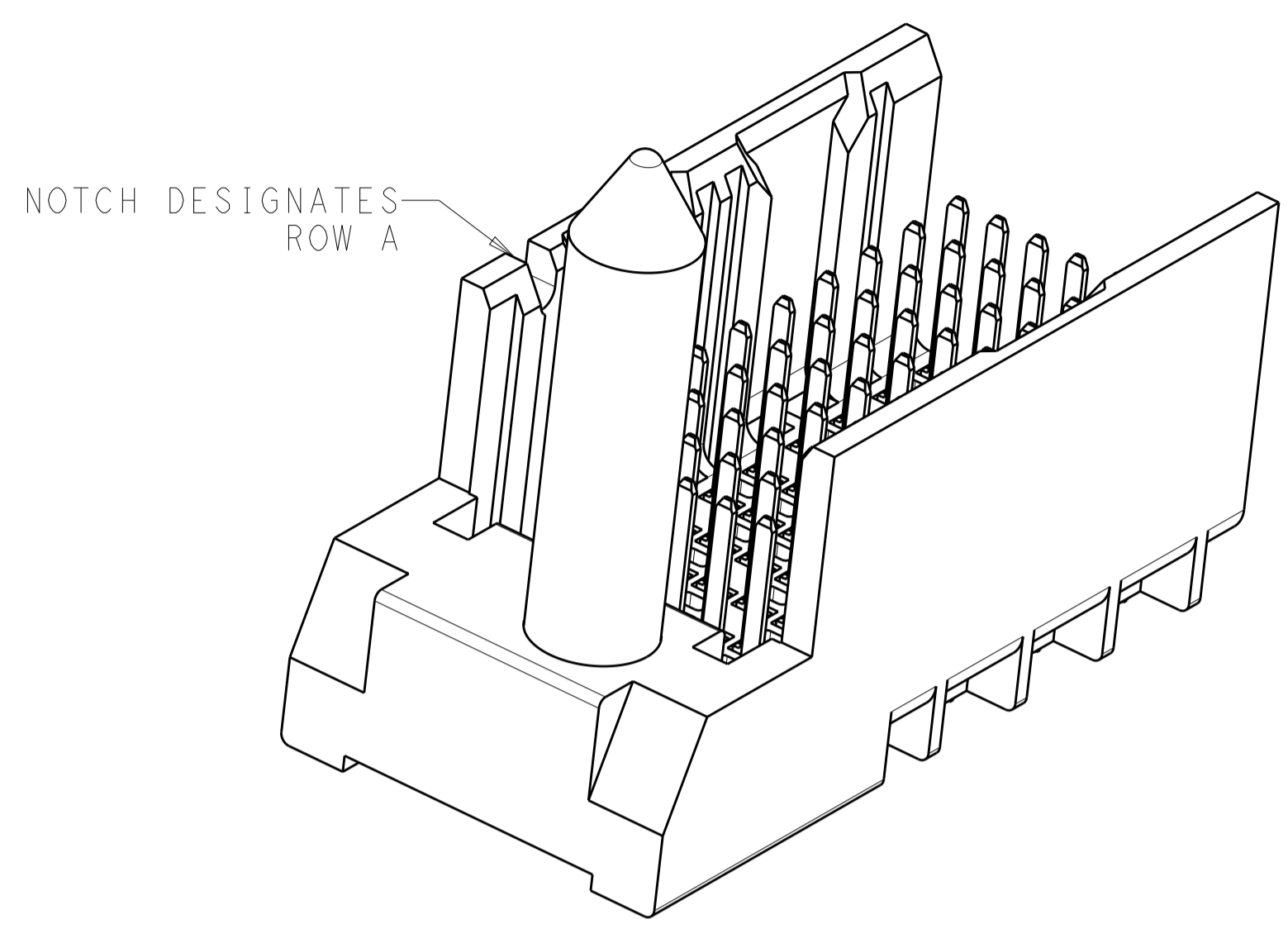
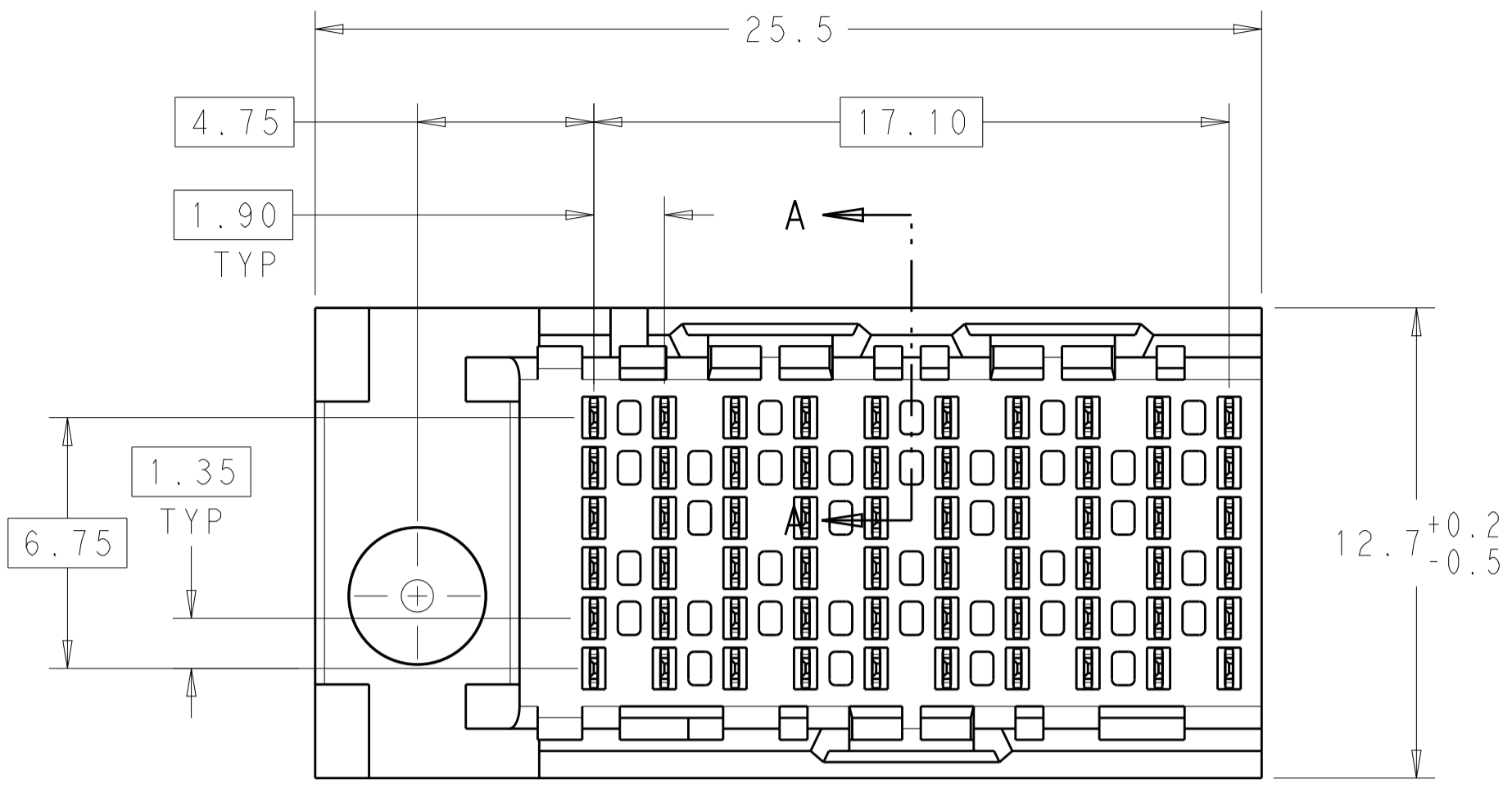
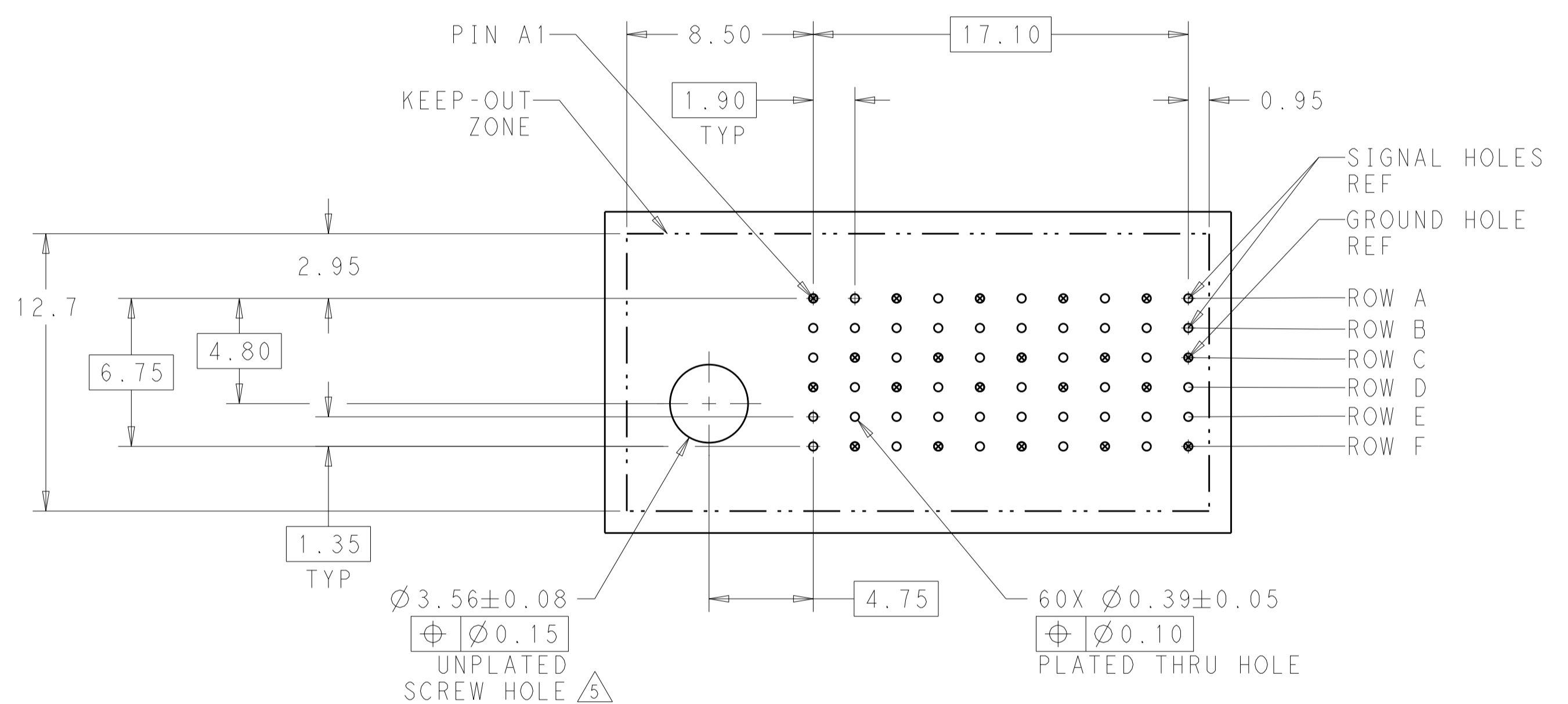


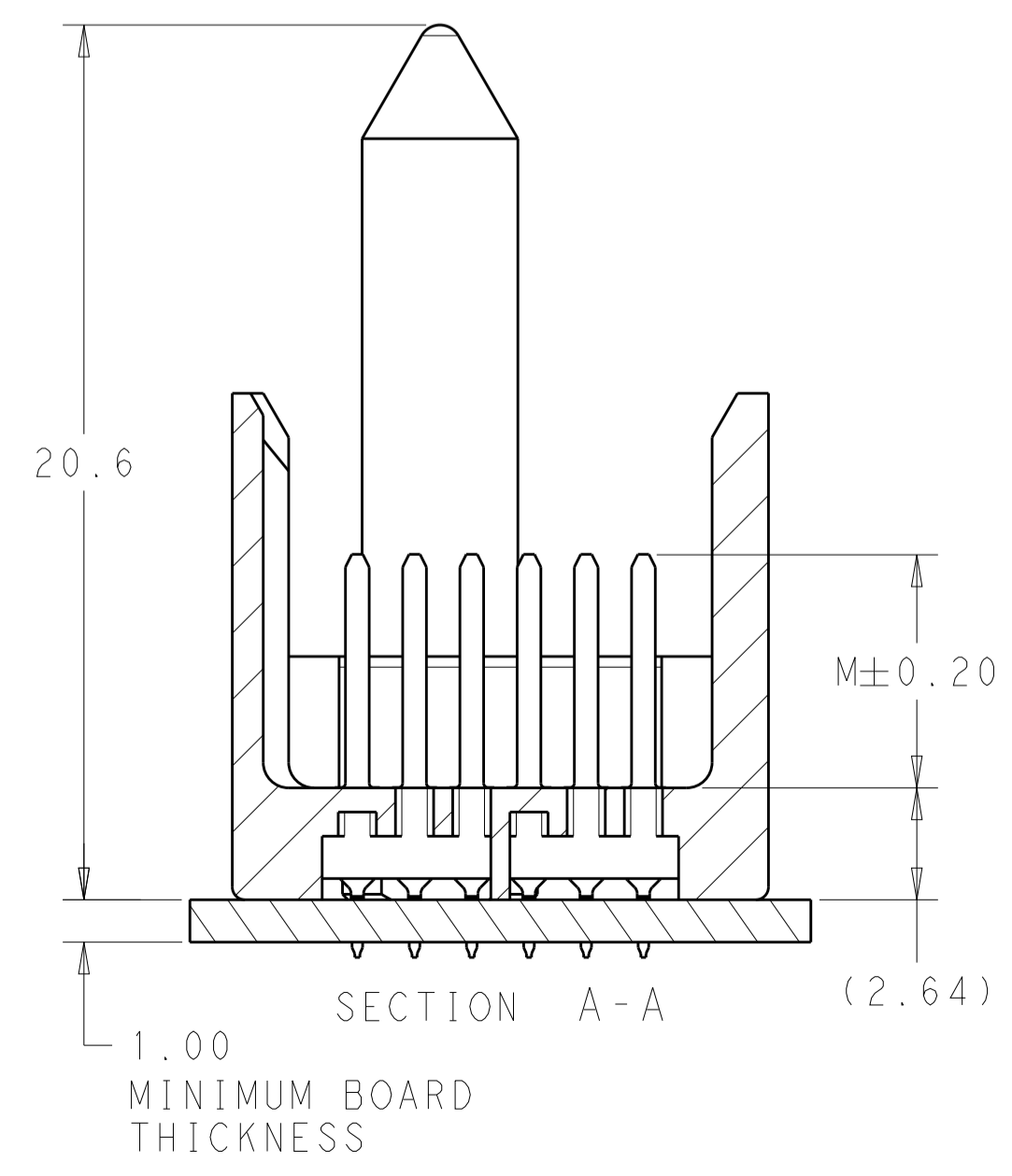
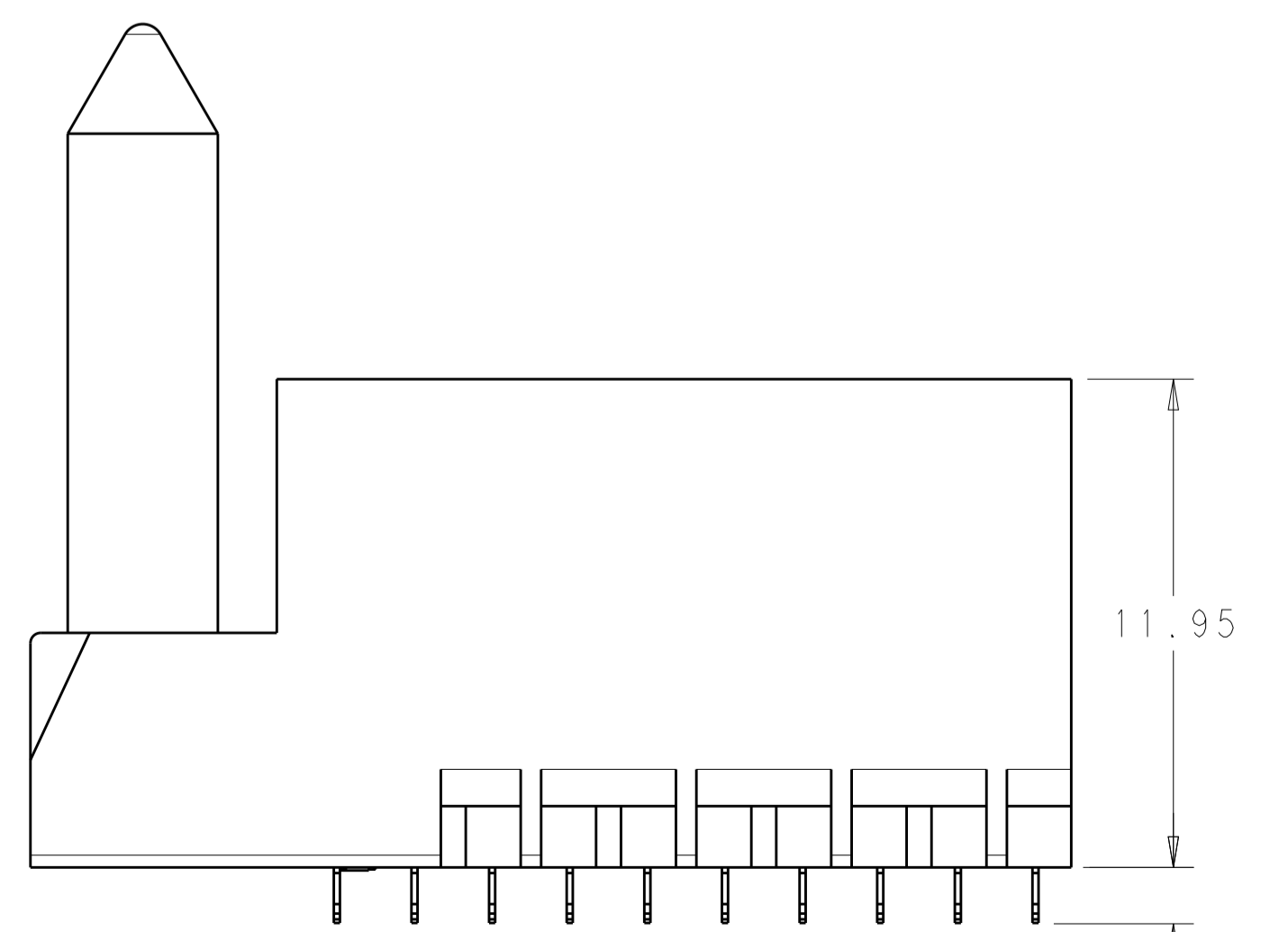
| LOC | | DIST | | REVISIONS | | | |
|-----|-----|-----------------------|-----------|-----------|------|--|--|
| P | LTN | DESCRIPTION | DATE | DWN | APVD | | |
| 2 | | ADDED -2 TO BOM | 26SEP2011 | RG | JE | | |
| A | | RELEASED | 24FEB2012 | BC | DY | | |
| A1 | | REV PER ECO-13-004688 | 14MAR2013 | BC | DD | | |



- ⚠ MATERIAL:
HOUSING: LCP, GLASS FILLED, UL94V-0.
TERMINALS: HIGH PERFORMANCE COPPER ALLOY.
- ⚠ FINISH:
30μ" MIN GOLD IN CONTACT AREA. SELECTIVE TIN ON PCB TAILS, NICKEL OVERALL.
- ⚠ FINISH:
30μ" MIN GOLD IN CONTACT AREA. SELECTIVE TIN-LEAD ON PCB TAILS, NICKEL OVERALL.
- 4. SCREWS PACKAGED IN END OF PACKAGING TUBE.
- ⚠ FOR GROUNDED GUIDE PIN USE Ø3.56±0.08 PTH, Ø3.66 DRILL, AND Ø6.5 PAD.



LEFT GUIDED BACKPLANE HOLE PATTERN (CONNECTOR SIDE)



| | | | |
|---|--|-----------------------------|--|
| THIS DRAWING IS A CONTROLLED DOCUMENT. | | DWN J. K. SHOBER 26SEPT2011 | TE Connectivity |
| DIMENSIONS: mm | | CHK J. EARY 26SEPT2011 | |
| TOLERANCES UNLESS OTHERWISE SPECIFIED: | | APVD J. EARY 26SEPT2011 | NAME IMPACT, 2 PAIR, 10 COLUMN, HEADER LEFT GUIDED, OPEN END WALL SELECT LOAD, SIGNAL MODULE, 0.39 PTH SIZE CAGE CODE DRAWING NO RESTRICTED TO WEIGHT A100779C=2180311 CUSTOMER DRAWING SCALE 6:1 SHEET 1 OF 2 REV A1 |
| 0 PLC ± 1 PLC ±0.25 2 PLC ±0.13 3 PLC ± 4 PLC ± ANGLES ± | | PRODUCT SPEC | |
| MATERIAL | | APPLICATION SPEC | |
| FINISH SEE TABLE | | SIZE | |

THIS DRAWING IS UNPUBLISHED. RELEASED FOR PUBLICATION 20
 © COPYRIGHT 20 BY - ALL RIGHTS RESERVED.

| LOC | DIST | REVISIONS | | | | | |
|-----|------|-----------|-----|-------------|------|-----|------|
| | | P | LTN | DESCRIPTION | DATE | DMN | APVD |
| AD | 00 | - | - | SEE SHEET 1 | - | - | - |
| | | | | | | | |
| | | | | | | | |

| | | | | | | | | | | |
|---|---|--------|---|---|---|---|---|---|---|----|
| 2180311-1 | | | | | | | | | | |
| PART NUMBER | | FINISH | | | | | | | | |
| CONTACT LAYOUT A = 4.5mm (DIM M) B = 4.9mm (DIM M) C = 5.5mm (DIM M) | | | | | | | | | | |
| COLUMNS | | | | | | | | | | |
| | 1 | 2 | 3 | 4 | 5 | 6 | 7 | 8 | 9 | 10 |
| GUIDE PIN | A | C | C | C | C | C | C | C | C | C |
| | B | C | C | C | C | C | C | C | C | C |
| | C | C | C | C | C | C | C | C | C | C |
| | D | C | C | C | C | C | C | C | C | C |
| | E | C | C | C | C | C | C | C | C | C |
| | F | A | C | C | C | C | C | C | C | C |
| 2180311-2 | | | | | | | | | | |
| PART NUMBER | | FINISH | | | | | | | | |
| COLUMNS | | | | | | | | | | |
| | 1 | 2 | 3 | 4 | 5 | 6 | 7 | 8 | 9 | 10 |
| GUIDE PIN | A | C | C | C | C | C | C | C | C | C |
| | B | C | C | C | C | C | C | C | C | C |
| | C | C | C | C | C | C | C | C | C | C |
| | D | C | C | C | C | C | C | C | C | C |
| | E | C | C | C | C | A | C | C | C | C |
| | F | C | C | C | C | C | C | C | C | C |

REFER TO WWW.TE.COM
 FOR PRODUCT AVAILABILITY

| | | | |
|--|--|----------------------------|--|
| THIS DRAWING IS A CONTROLLED DOCUMENT. | | DMN J.K. SHOBER 26SEPT2011 | |
| DIMENSIONS: mm | | CHK J. EARY 26SEPT2011 | |
| TOLERANCES UNLESS OTHERWISE SPECIFIED: | | APVD J. EARY 26SEPT2011 | NAME IMPACT, 2 PAIR, 10 COLUMN, HEADER LEFT GUIDED, OPEN END WALL SELECT LOAD, SIGNAL MODULE, 0.39 PTH |
| 0 PLC ±0.25 | | PRODUCT SPEC | |
| 1 PLC ±0.13 | | APPLICATION SPEC | SIZE CAGE CODE DRAWING NO |
| 2 PLC ± | | RESTRICTED TO | A100779C=2180311 |
| 3 PLC ± | | WEIGHT | SCALE 5:1 SHEET 2 OF 2 REV A1 |
| 4 PLC ± | | CUSTOMER DRAWING | |
| ANGLES FINISH SEE TABLE | | | |

单击下面可查看定价，库存，交付和生命周期等信息

[>>TE Connectivity\(泰科\)](#)