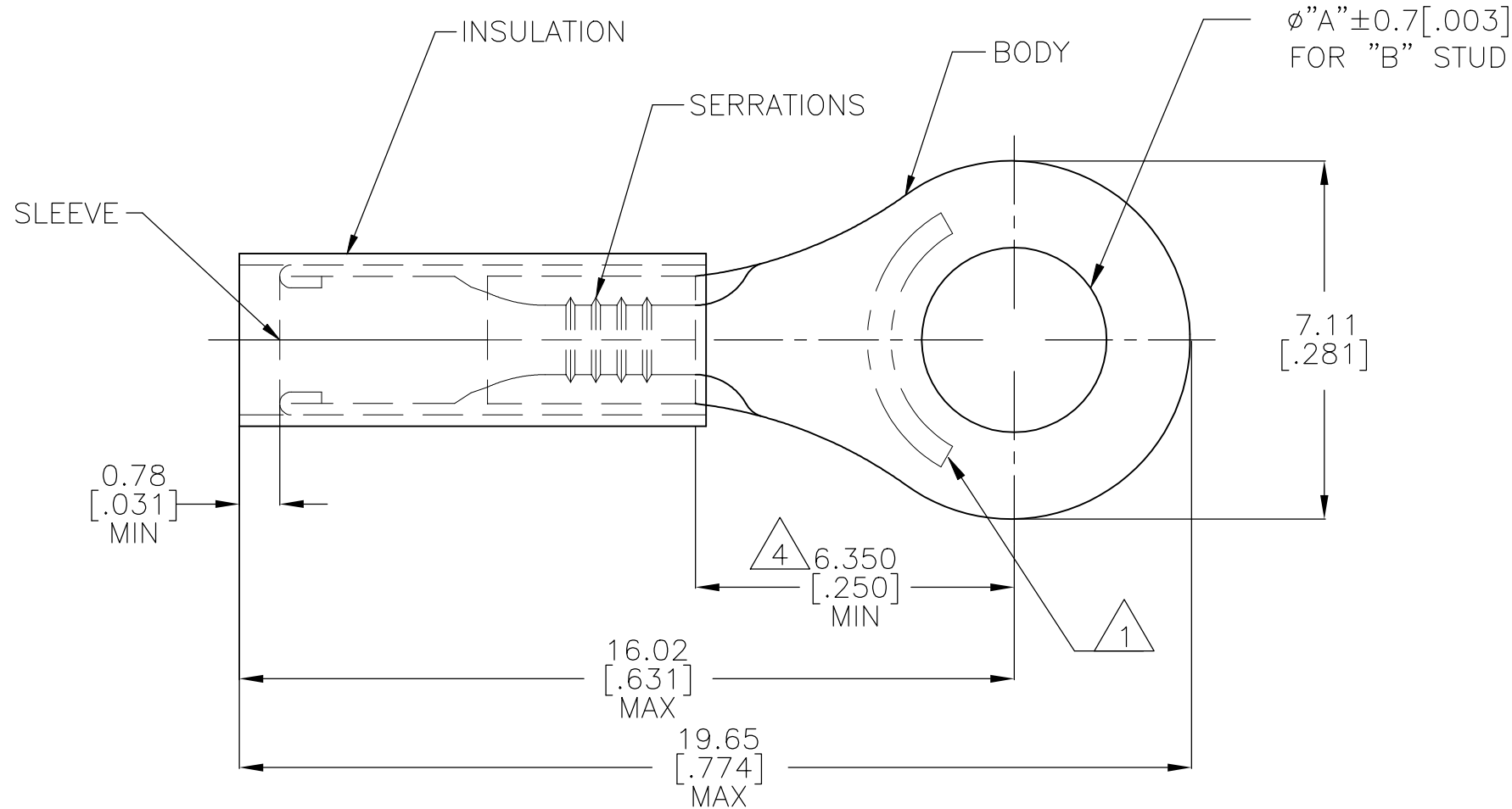


THIS DRAWING IS UNPUBLISHED. RELEASED FOR PUBLICATION
 © COPYRIGHT - By - ALL RIGHTS RESERVED.

REVISIONS				
P	LTR	DESCRIPTION	DATE	DWN APVD
	N5	REVISED PER ECO-15-016493	27NOV2015	NK DR
	N6	REVISED PER ECO-17-016703	02APR2018	RS DR

AMP
WIRE RANGE

22-20 AWG
STRANDED



- 1 STAMP AMP 22-20 APPROX AS SHOWN
- 2 FOR 0.88[.035] TO 2.54[.100] WIRE INSULATION DIA
- 3 BODY MATERIAL THK: 0.58±0.05[.023±.002]
- 4 DIMENSION APPLIES FROM EDGE OF METAL WIRE BARREL TO CENTER OF STUD HOLE.
- 5 BODY: MATERIAL - COPPER ASTM B152
FINISH - GOLD PLATE ASTM B488 TYPE I,
CODE C 0.0012[.00005] MIN EXT. THK. OVER
NICKEL PLATE SAE AMS QQ-N-290
0.00076 [.00003] AVG EXT. THK.
- 6 SLEEVE: MATERIAL - COPPER ASTM B152
FINISH - NICKEL PL. SAE AMS QQ-N-290
0.00076 [.00003] AVG EXT. THK.
- 7 INSULATION:
MATERIAL - PTFE (ASTM D3295)
COLOR: GREEN
- 8 NOTE DELETED

7	M3.5[#6]	3.68[.145]	500	LOOSE PIECE	1-332433-0
	"B"	"A"	QTY	PACKAGE TYPE	PART NO.

AMP INCORPORATED CUSTOMER SERVICE SYSTEMS		MAX RECOMMENDED OPERATING TEMPERATURE: 260°C [500°F]	THIS DRAWING IS A CONTROLLED DOCUMENT.		DWN JR RUTH 28JAN03	STE TE Connectivity Ltd.	
FOR ADDITIONAL PRODUCT INFORMATION OR COPIES OF DRAWINGS AND TECHNICAL DOCUMENTS	PRODUCT INFORMATION CENTER 1-800-522-6752	VOLTAGE RATING: 300V MAX	DIMENSIONS: mm [INCHES]	TOLERANCES UNLESS OTHERWISE SPECIFIED: 0 PLC ± - 1 PLC ± - 2 PLC ± 0.50[.02] 3 PLC ± 0.127[.005] 4 PLC ± - ANGLES ± 1°	CHK T MICHIELUTTI 28JAN03		
FOR APPLICATION TOOLING INFORMATION	TOOLING ASSISTANCE CENTER 1-800-722-1111	CIRCULAR MIL AREA: 0.26-0.65mm²[509-1,290] STRANDED WIRE ONLY	MATERIAL 5 6 7		APVD T MICHIELUTTI 28JAN03	TERMINAL, PIDG, STRATO-THERM, RING TONGUE, 22-20 AWG	
FOR ORDER ENTRY	1-800-526-5142				FINISH 5 6 7	PRODUCT SPEC -	APPLICATION SPEC -
					SIZE A3	CAGE CODE 00779	DRAWING NO C-332433
CUSTOMER DRAWING					SCALE 1:1	SHEET 1 OF 1	REV N6

单击下面可查看定价，库存，交付和生命周期等信息

[>>TE Connectivity\(泰科\)](#)